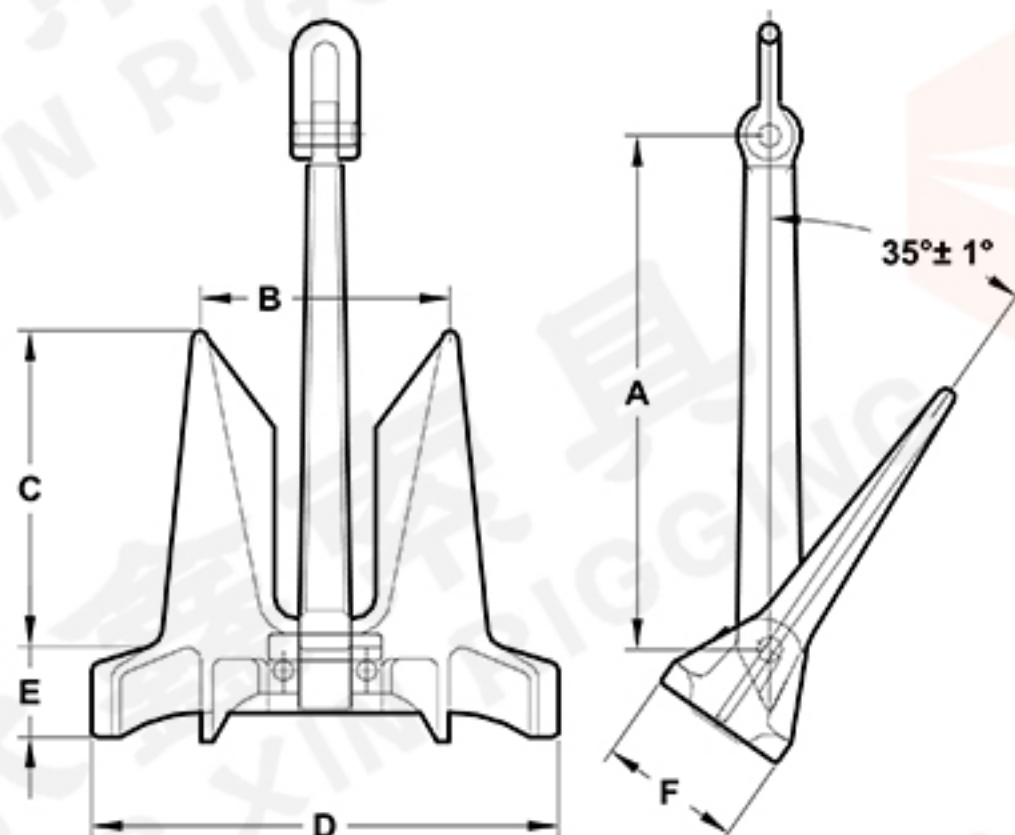




YXR1700



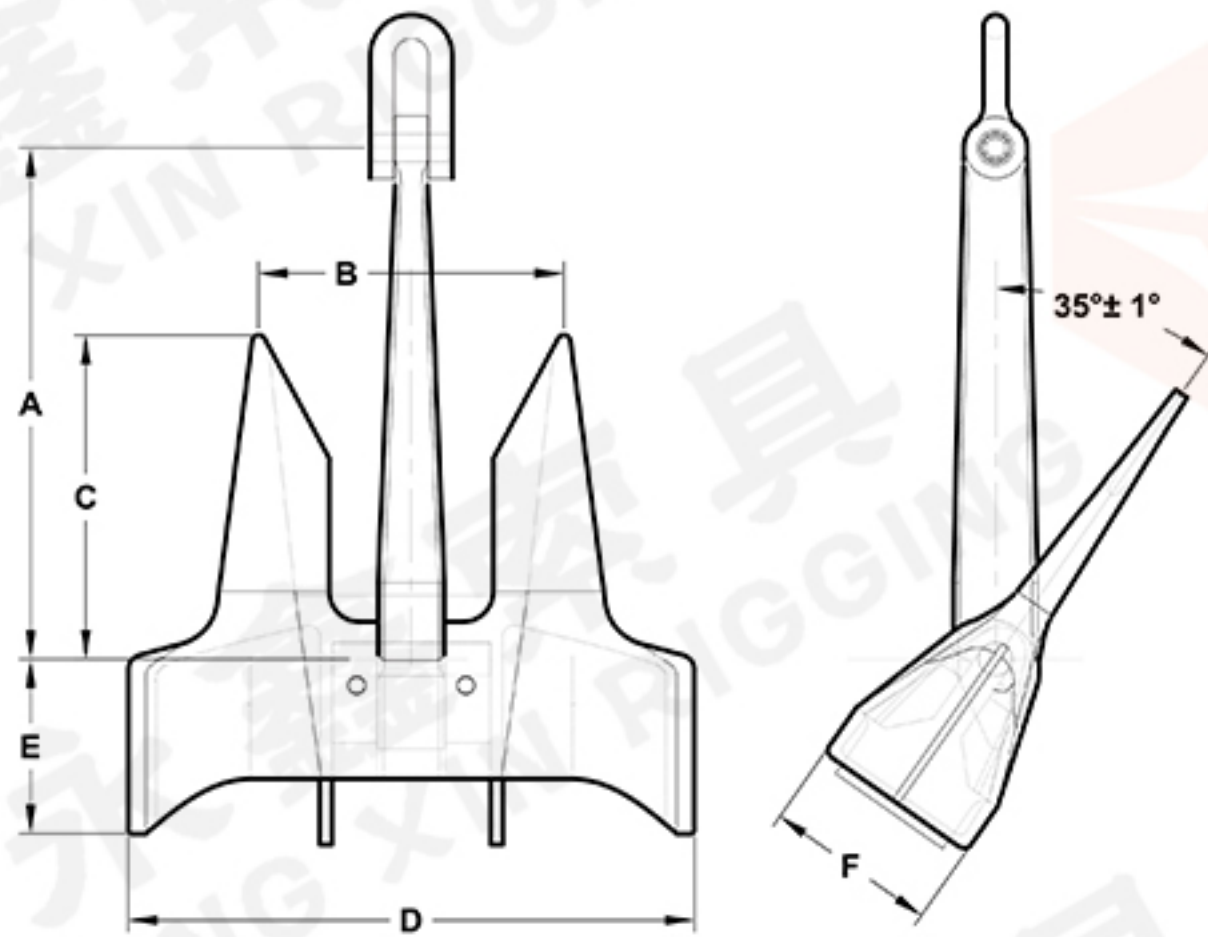
AC-14 HHP ANCHOR

ITEM NO.	WT (KG)	SIZE (MM)					
		A	B	C	D	E	F
YXR1700-01	30	491	236	299	440	85	136
YXR1700-02	45	590	283	359	529	99	164
YXR1700-03	75	677	324	411	605	122	188
YXR1700-04	94	718	344	437	643	130	199
YXR1700-05	113	745	357	452	666	135	207
YXR1700-06	135	821	394	500	737	143	228
YXR1700-07	180	904	434	550	811	157	251
YXR1700-08	225	974	468	593	874	169	270
YXR1700-09	270	1035	497	630	929	180	287
YXR1700-10	315	1090	524	663	978	189	302
YXR1700-11	360	1139	547	694	1022	198	316
YXR1700-12	428	1194	574	727	1071	206	331
YXR1700-13	495	1251	602	762	1122	216	347
YXR1700-14	585	1360	654	828	1221	236	378
YXR1700-15	675	1398	672	851	1254	242	387
YXR1700-16	765	1483	698	885	1304	264	404
YXR1700-17	855	1520	729	925	1363	267	423
YXR1700-18	968	1590	764	968	1425	275	440
YXR1700-19	1080	1631	784	993	1462	282	451
YXR1700-20	1193	1660	798	1011	1490	287	465
YXR1700-21	1305	1761	846	1072	1580	305	488
YXR1700-22	1440	1795	862	1093	1610	311	497
YXR1700-23	1575	1855	892	1130	1665	321	514
YXR1700-24	1710	1900	913	1157	1705	329	526
YXR1700-25	1845	1940	933	1182	1741	336	538
YXR1700-26	1980	1977	950	1203	1774	342	548
YXR1700-27	2138	2016	969	1227	1809	349	559
YXR1700-28	2295	2089	1004	1272	1874	362	579
YXR1700-29	2475	2150	1033	1309	1929	373	596
YXR1700-30	2655	2201	1057	1340	1975	382	610
YXR1700-31	2835	2253	1083	1372	2022	390	624
YXR1700-32	3038	2302	1107	1402	2066	399	638

ITEM NO.	WT (KG)	SIZE (MM)					
		A	B	C	D	E	F
YXR1700-33	3240	2352	1130	1432	2110	407	652
YXR1700-34	3443	2400	1154	1462	2154	415	665
YXR1700-35	3668	2451	1178	1493	2200	424	680
YXR1700-36	3938	2510	1207	1529	2252	434	696
YXR1700-37	4208	2549	1234	1563	2303	444	711
YXR1700-38	4500	2624	1261	1598	2355	454	727
YXR1700-39	4838	2688	1292	1637	2412	465	745
YXR1700-40	5175	2749	1321	1674	2467	476	762
YXR1700-41	5513	2808	1350	1710	2520	486	778
YXR1700-42	5850	2864	1376	1744	2570	496	794
YXR1700-43	6225	2923	1405	1780	2623	506	810
YXR1700-44	6525	2970	1428	1808	2665	514	823
YXR1700-45	6975	3042	1462	1853	2730	527	843
YXR1700-46	7425	3100	1490	1888	2782	537	859
YXR1700-47	7875	3162	1520	1925	2837	547	876
YXR1700-48	8325	3221	1548	1961	2890	558	893
YXR1700-49	8775	3278	1576	1996	2942	567	909
YXR1700-50	9225	3333	1602	2030	2991	577	924
YXR1700-51	9675	3386	1628	2062	3039	586	939
YXR1700-52	10125	3438	1653	2094	3085	595	953
YXR1700-53	10575	3488	1677	2124	3130	604	967
YXR1700-54	11025	3537	1700	2154	3174	612	981
YXR1700-55	11550	3592	1727	2188	3224	622	996
YXR1700-56	12075	3646	1753	2220	3272	631	1011
YXR1700-57	12675	3705	1781	2256	3325	641	1027
YXR1700-58	13350	3770	1812	2296	3383	653	1045
YXR1700-59	14100	3839	1846	2338	3445	665	1064
YXR1700-60	15000	3919	1884	2387	3517	678	1086
YXR1700-61	16125	4015	1930	2445	3603	695	1113
YXR1700-62	17250	4106	1974	2501	3685	711	1138
YXR1700-63	18375	4194	2016	2554	3763	726	1163
YXR1700-64	19500	4278	2056	2605	3839	740	1186



YXR1701



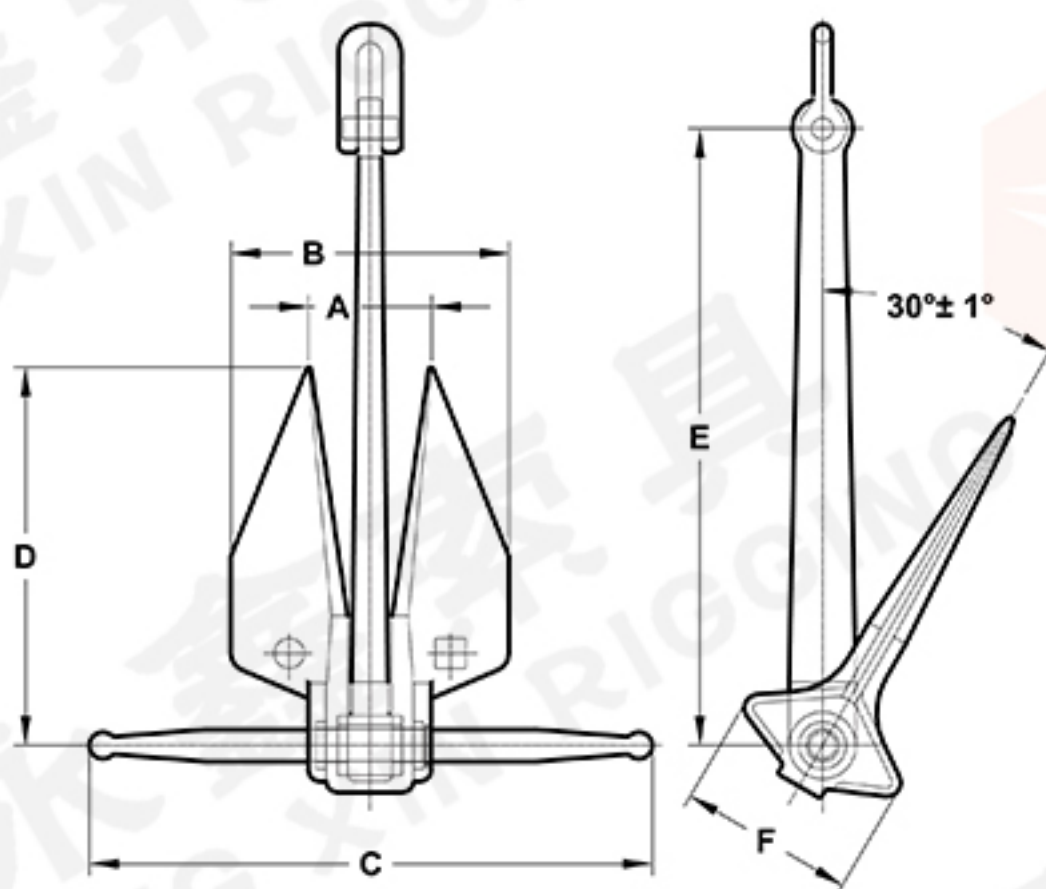
CJ-14 SB HHP ANCHOR

ITEM NO.	WT (KG)	SIZE (MM)					
		A	B	C	D	E	F
YXR1701-01	75	550	326	350	606	188	185
YXR1701-02	100	607	380	385	704	207	200
YXR1701-03	120	635	380	402	704	217	215
YXR1701-04	180	742	442	470	822	254	252
YXR1701-05	225	828	495	525	915	283	277
YXR1701-06	250	828	495	525	915	283	280
YXR1701-07	300	882	525	559	975	301	298
YXR1701-08	340	918	548	582	1012	313	310
YXR1701-09	360	918	548	582	1015	313	313
YXR1701-10	430	990	590	628	1098	339	336
YXR1701-11	495	1025	610	650	1135	350	348
YXR1701-12	585	1102	658	699	1220	376	375
YXR1701-13	675	1152	690	731	1278	394	390
YXR1701-14	765	1205	718	764	1335	411	408
YXR1701-15	855	1250	745	793	1385	427	420
YXR1701-16	970	1300	775	826	1445	444	440
YXR1701-17	1080	1350	805	855	1495	461	455
YXR1701-18	1200	1400	835	887	1545	478	470
YXR1701-19	1305	1440	858	913	1595	492	485
YXR1701-20	1440	1486	885	943	1645	507	505
YXR1701-21	1575	1534	915	972	1695	523	518
YXR1701-22	1710	1575	940	998	1745	538	532
YXR1701-23	1845	1616	965	1025	1785	552	546
YXR1701-24	1980	1650	985	1048	1830	564	560
YXR1701-25	2100	1686	1005	1070	1865	575	570
YXR1701-26	2295	1738	1035	1102	1920	593	588
YXR1701-27	2475	1780	1062	1128	1970	607	602
YXR1701-28	2655	1820	1085	1155	2018	621	615
YXR1701-29	2835	1862	1109	1180	2057	635	625
YXR1701-30	3040	1896	1130	1204	2100	646	640
YXR1701-31	3550	2030	1198	1287	2225	693	680
YXR1701-32	3940	2080	1240	1318	2300	709	705

ITEM NO.	WT (KG)	SIZE (MM)					
		A	B	C	D	E	F
YXR1701-33	4500	2170	1295	1376	2405	741	735
YXR1701-34	4840	2225	1330	1410	2465	760	755
YXR1701-35	5175	2275	1358	1443	2520	777	770
YXR1701-36	5610	2339	1396	1483	2590	798	790
YXR1701-37	6000	2390	1426	1515	2646	816	810
YXR1701-38	6225	2420	1443	1534	2678	826	820
YXR1701-39	6525	2450	1462	1554	2712	836	830
YXR1701-40	6975	2507	1496	1589	2775	855	848
YXR1701-41	7350	2560	1526	1622	2832	873	866
YXR1701-42	7875	2610	1558	1655	2890	891	884
YXR1701-43	8325	2665	1590	1689	2950	909	902
YXR1701-44	8775	2707	1614	1715	2996	924	916
YXR1701-45	9300	2765	1652	1754	3064	945	936
YXR1701-46	9675	2805	1674	1778	3104	957	948
YXR1701-47	10125	2850	1700	1806	3152	972	960
YXR1701-48	10575	2880	1720	1827	3192	984	976
YXR1701-49	11025	2930	1750	1859	3247	1001	990
YXR1701-50	11700	2987	1782	1894	3308	1019	1010
YXR1701-51	12075	3010	1800	1906	3343	1027	1020
YXR1701-52	12675	3065	1812	1945	3364	1047	1028
YXR1701-53	13350	3132	1870	1986	3470	1069	1060
YXR1701-54	14100	3178	1896	2015	3520	1084	1076
YXR1701-55	14700	3228	1924	2045	3570	1099	1090
YXR1701-56	15400	3272	1954	2075	3626	1117	1108
YXR1701-57	16100	3320	1980	2110	3680	1132	1125
YXR1701-58	16700	3350	2000	2126	3720	1144	1144
YXR1701-59	17250	3380	2016	2142	3740	1151	1144
YXR1701-60	17800	3440	2050	2180	3806	1173	1162
YXR1701-61	18800	3500	2088	2220	3875	1193	1185
YXR1701-62	20000	3573	2132	2265	3956	1220	1210
YXR1701-63	25000	3965	2360	2515	4309	1352	1295
YXR1701-64	30000	4358	2588	2765	4663	1484	1380

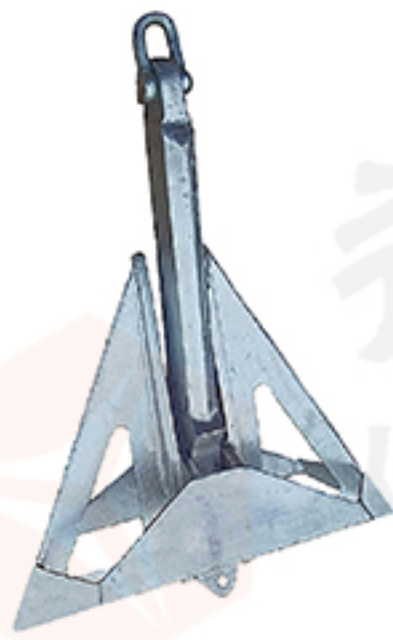


YXR1702

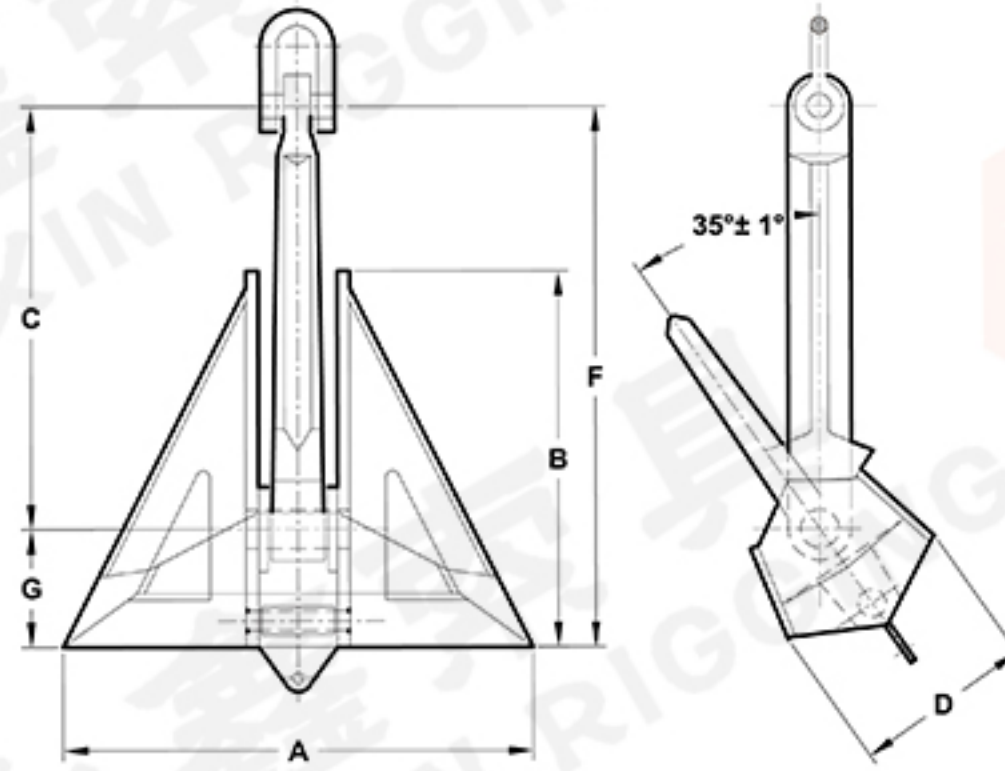


DANFORTH HHP ANCHOR

ITEM NO.	NOMINAL WEIGHT (LBS)	SIZE (MM)						SHACKLE MODEL
		A	B	C	D	E	F	
YXR1702-01	100	159	322	714	485	800	219	a4
YXR1702-02	150	183	372	793	560	926	253	a5
YXR1702-03	200	203	412	874	621	995	281	a6
YXR1702-04	250	225	457	960	689	1075	312	a6
YXR1702-05	300	228	461	1000	706	1166	314	a7
YXR1702-06	400	257	522	1090	788	1284	356	a8
YXR1702-07	550	274	554	1180	836	1380	378	a9
YXR1702-08	600	290	588	1253	888	1466	401	a9
YXR1702-09	750	314	635	1350	958	1578	433	a9
YXR1702-10	1000	344	694	1488	1060	1739	472	a11
YXR1702-11	1250	367	741	1603	1135	1864	505	a12
YXR1702-12	1500	396	800	1703	1207	1988	545	a12
YXR1702-13	2000	438	888	1875	1336	2190	604	a14
YXR1702-14	2500	470	950	2020	1432	2300	647	a14
YXR1702-15	2625	470	950	2020	1432	2300	647	a14
YXR1702-16	2750	485	960	2120	1432	2335	650	a14
YXR1702-17	3000	502	1033	2146	1575	2396	710	a14
YXR1702-18	3500	550	1111	2265	1677	2515	757	a15
YXR1702-19	4000	552	1114	2365	1680	2623	759	a15
YXR1702-20	5000	595	1200	2480	1811	2850	818	a16
YXR1702-21	6000	630	1274	2680	1920	3164	866	a17
YXR1702-22	6600	652	1317	2792	1986	3260	897	a19
YXR1702-23	8000	692	1398	2970	2109	3475	971	a19
YXR1702-24	9000	715	1448	3080	2200	3490	990	a20
YXR1702-25	10000	735	1484	3200	2270	3591	1010	a21
YXR1702-26	15000	851	1700	3680	2610	4100	1160	a23
YXR1702-27	20000	936	1870	4050	2870	4510	1276	a26
YXR1702-28	30000	1136	2250	4900	3400	5400	1520	a30
YXR1702-29	35000	1208	2414	5250	3670	5830	1642	a31
YXR1702-30	40000	1286	2588	5625	3930	6250	1758	a32
YXR1702-31	45000	1378	2745	5968	4172	6610	1867	a33
YXR1702-32	50000	1450	2890	6282	4393	6950	1965	a34



YXR1703

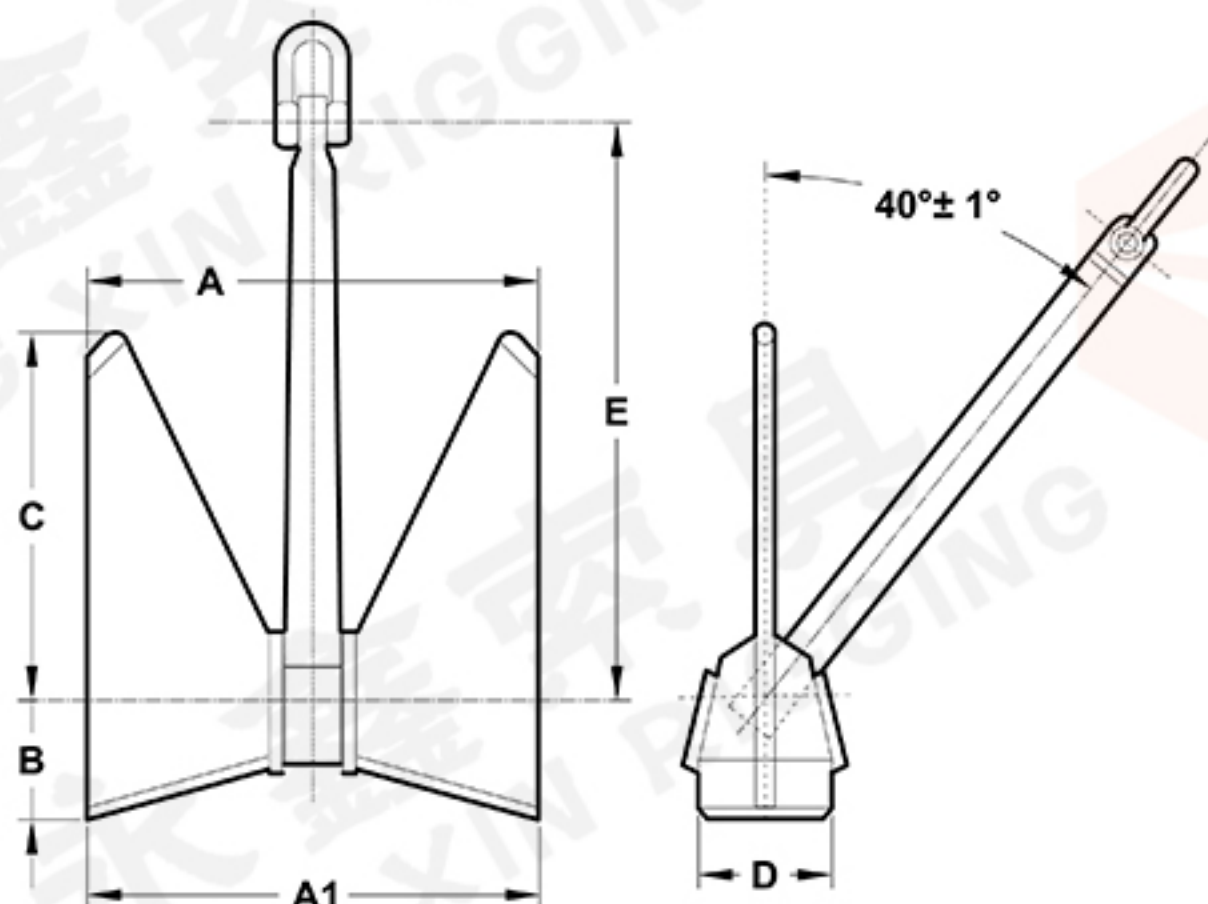


DELTA ANCHOR

ITEM NO.	NOMINAL WEIGHT (KG)	SIZE (MM)					
		A	B	C	D	F	G
YXR1703-01	300	1310	1040	1180	495	1550	370
YXR1703-02	500	1555	1240	1400	585	1845	445
YXR1703-03	750	1780	1400	1600	665	2110	510
YXR1703-04	1000	1960	1560	1755	740	2320	565
YXR1703-05	1500	2250	1800	2025	840	2660	635
YXR1703-06	2000	2470	2000	2250	930	2960	710
YXR1703-07	2500	2660	2130	2395	1005	3150	755
YXR1703-08	3000	2830	2285	2565	1070	3380	815
YXR1703-09	4000	3180	2560	2880	1190	3790	910
YXR1703-10	4500	3194	2575	2900	1220	3820	920
YXR1703-11	5000	3300	2660	2995	1260	3945	950
YXR1703-12	6000	3560	2884	3245	1300	4268	1024
YXR1703-13	7000	3750	2995	3365	1405	4440	1075
YXR1703-14	9000	4120	3280	3690	1540	4860	1170
YXR1703-15	10000	4270	3400	3825	1600	5040	1215
YXR1703-16	13500	4670	3730	4195	1765	5535	1340
YXR1703-17	15000	4840	3860	4340	1825	5725	1385
YXR1703-18	18000	5140	4100	4615	1940	6085	1470
YXR1703-19	20000	5320	4240	4775	2010	6300	1525
YXR1703-20	22500	5535	4420	4970	2090	6560	1590
YXR1703-21	25000	5730	4575	5140	2160	6780	1640
YXR1703-22	30000	6100	4880	5486	2305	7225	1739
YXR1703-23	35000	6424	5138	5775	2426	7605	1830
YXR1703-24	40000	6715	5370	6036	2536	7948	1912
YXR1703-25	45000	6986	5588	6184	2640	8270	2086
YXR1703-26	50000	7230	5785	6500	2730	8560	2060
YXR1703-27	55000	7470	5975	6715	2820	8840	2125
YXR1703-28	60000	7690	6150	6910	2940	9100	2190
YXR1703-29	65000	7900	6315	7100	2980	9350	2250
YXR1703-30	70000	8095	6475	7275	3060	9580	2305
YXR1703-31	75000	8235	6590	7405	3110	9750	2345
YXR1703-32	80000	8460	6770	7610	3195	10020	2410
YXR1703-33	85000	8625	6900	7750	3255	10210	2460
YXR1703-34	90000	8800	7040	7910	3325	10420	2510
YXR1703-35	95000	8960	7170	8055	3385	10610	2555
YXR1703-36	100000	9110	7285	8190	3440	10780	2590



YXR1704



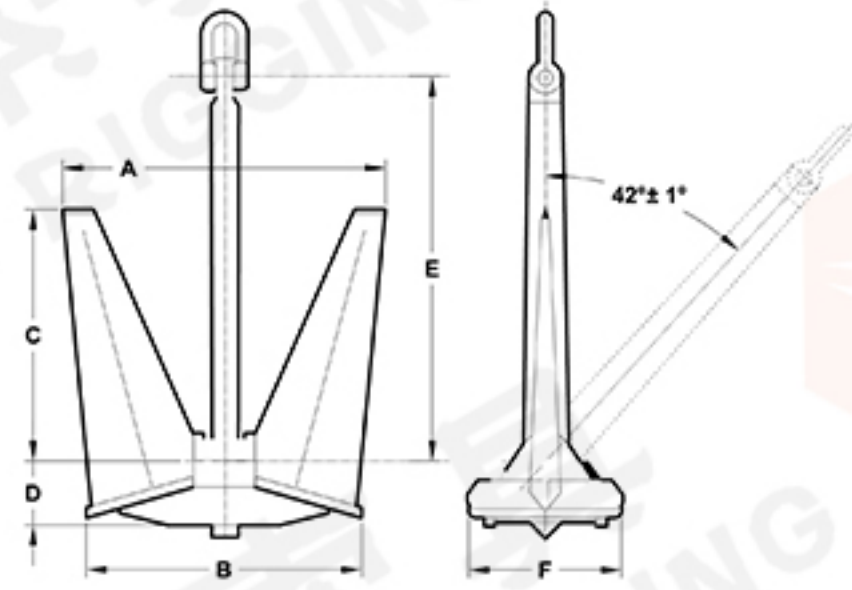
POOL ANCHOR TYPE TW

ITEM NO.	WT (KG)	SIZE (MM)						SHACKLE MODEL
		A	A1	B	C	D	E	
YXR1704-01	105	640	650	250	422	240	705	a6
YXR1704-02	135	696	706	273	460	262	815	a6
YXR1704-03	160	736	746	289	486	277	895	a7
YXR1704-04	180	766	776	300	506	288	937	a7
YXR1704-05	225	825	837	324	545	310	982	a8
YXR1704-06	270	877	890	344	579	329	1080	a8
YXR1704-07	300	907	922	356	600	340	1080	a8
YXR1704-08	360	965	980	378	638	362	1175	a9
YXR1704-09	430	1024	1040	402	676	384	1200	a9
YXR1704-10	495	1074	1090	420	709	402	1257	a10
YXR1704-11	565	1122	1138	440	740	436	1318	a11
YXR1704-12	675	1205	1221	475	801	454	1456	a11
YXR1704-13	765	1256	1272	476	836	455	1518	a12
YXR1704-14	855	1306	1327	494	866	496	1575	a13
YXR1704-15	970	1360	1381	532	896	513	1642	a13
YXR1704-16	1080	1410	1431	540	910	536	1703	a13
YXR1704-17	1195	1435	1446	545	955	537	1730	a13
YXR1704-18	1305	1490	1512	580	981	558	1814	a14
YXR1704-19	1440	1554	1576	587	1031	585	1875	a14
YXR1704-20	1575	1594	1618	606	1062	600	1931	a14
YXR1704-21	1710	1635	1659	622	1092	614	1985	a15
YXR1704-22	1845	1684	1709	638	1120	638	2035	a15
YXR1704-23	1980	1733	1758	657	1153	654	2088	a15
YXR1704-24	2140	1765	1803	671	1177	664	2138	a16
YXR1704-2	2295	1802	1829	686	1205	678	2190	a16
YXR1704-26	2475	1860	1887	704	1236	705	2240	a17
YXR1704-27	2655	1900	1927	720	1263	716	2298	a17
YXR1704-28	2835	1945	1973	737	1294	730	2350	a17
YXR1704-29	3040	1984	2012	754	1324	744	2404	a17
YXR1704-30	3240	2036	2066	770	1351	768	2456	a18
YXR1704-31	3445	2070	2100	789	1381	782	2507	a18
YXR1704-32	3670	2110	2142	804	1410	795	2560	a19
YXR1704-33	3940	2152	2185	820	1440	802	2621	a19
YXR1704-34	4210	2218	2251	842	1478	838	2680	a20

ITEM NO.	WT (KG)	SIZE (MM)						SHACKLE MODEL
		A	A1	B	C	D	E	
YXR1704-35	4500	2264	2297	861	1510	854	2740	a20
YXR1704-36	4840	2316	2349	879	1543	868	2800	a21
YXR1704-37	5175	2334	2367	889	1558	876	2829	a22
YXR1704-38	5250	2363	2397	926	1558	887	2870	a22
YXR1704-39	5515	2412	2446	926	1608	911	2921	a22
YXR1704-40	5850	2450	2485	960	1615	920	2985	a23
YXR1704-41	6225	2509	2543	980	1640	940	3033	a23
YXR1704-42	6975	2623	2659	1015	1707	990	3145	a23
YXR1704-43	7875	2695	2735	1050	1773	1012	3264	a24
YXR1704-44	8148	2744	2771	1067	1805	1030	3320	a24
YXR1704-45	8420	2794	2822	1087	1838	1049	3381	a24
YXR1704-46	8710	2823	2851	1098	1857	1060	3416	a25
YXR1704-47	9000	2852	2881	1109	1876	1071	3451	a25
YXR1704-48	9340	2885	2914	1122	1898	1083	3491	a25
YXR1704-49	9680	2918	2947	1135	1919	1096	3531	a26
YXR1704-50	10090	2947	2976	1146	1939	1107	3566	a26
YXR1704-51	10500	2977	3007	1158	1958	1118	3602	a26
YXR1704-52	10765	3008	3038	1170	1979	1130	3640	a26
YXR1704-53	11030	3038	3069	1182	1999	1141	3677	a27
YXR1704-54	11365	3063	3094	1192	2015	1150	3706	a27
YXR1704-55	11100	3097	3118	1201	2031	1159	3735	a27
YXR1704-56	12075	3124	3155	1215	2055	1173	3780	a28
YXR1704-57	12450	3161	3193	1230	2079	1187	3825	a28
YXR1704-58	13200	3233	3265	1258	2127	1214	3912	a29
YXR1704-59	13950	3305	3338	1286	2174	1241	3999	a29
YXR1704-60	14850	3350	3384	1303	2204	1258	4054	a30
YXR1704-61	15750	3395	3429	1321	2233	1275	4108	a30
YXR1704-62	16295	3457	3492	1345	2274	1298	4183	a31
YXR1704-63	16840	3520	3555	1369	2315	1322	4259	a31
YXR1704-64	17420	3556	3592	1383	2339	1335	4303	a32
YXR1704-65	18000	3593	3629	1398	2363	1349	4348	a32
YXR1704-66	18680	3634	3670	1414	2390	1365	4397	a32
YXR1704-67	19360	3676	3713	1430	2418	1380	4448	a33
YXR1704-68	20000	3713	3750	1444	2442	1394	4493	a33



YXR1705



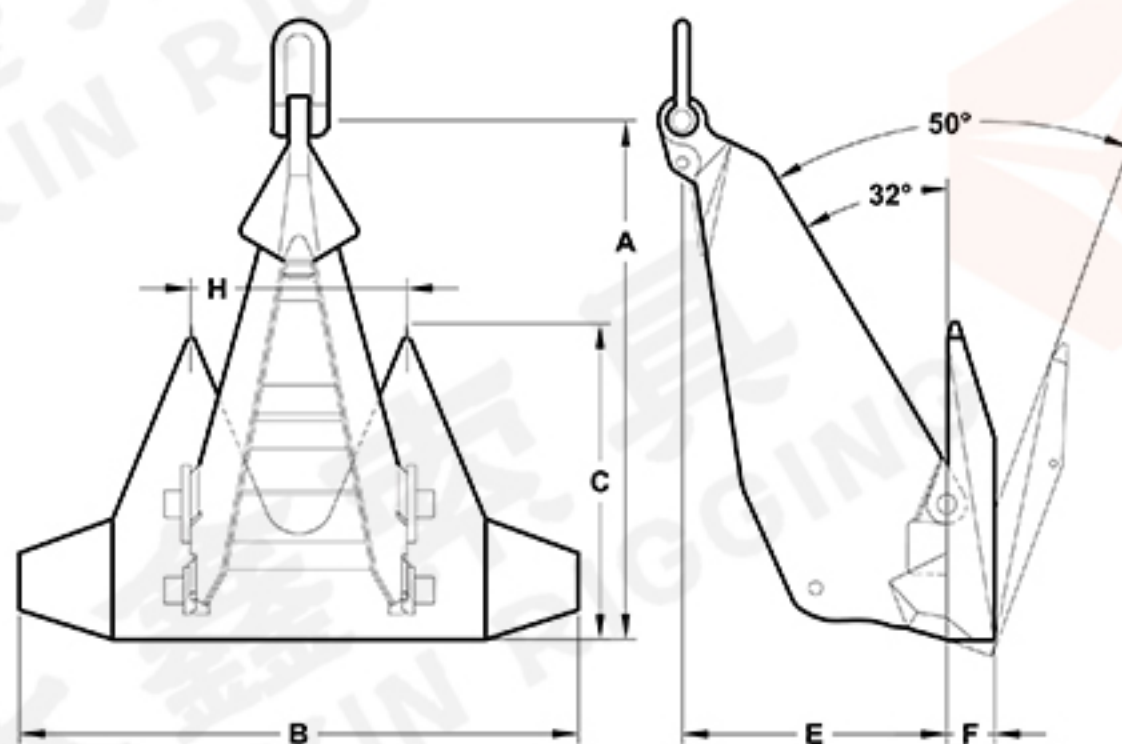
POOL HHP ANCHOR TYPE N

ITEM NO.	WT (KG)	SIZE (MM)					
		A	B	C	D	E	F
YXR1705-01	12	323	275	250	65	383	155
YXR1705-02	20	386	325	300	75	458	185
YXR1705-03	25	409	350	316	80	485	200
YXR1705-04	40	479	410	370	95	567	235
YXR1705-05	50	517	440	400	100	613	255
YXR1705-06	60	550	470	425	110	652	270
YXR1705-07	80	608	515	470	120	720	295
YXR1705-08	100	653	555	505	130	775	320
YXR1705-09	120	699	595	540	135	825	340
YXR1705-10	135	723	614	562	139	858	342
YXR1705-11	160	764	650	590	150	905	370
YXR1705-12	180	795	675	615	155	940	385
YXR1705-13	200	825	700	640	160	978	400
YXR1705-14	225	858	729	666	165	1016	406
YXR1705-15	240	880	745	680	175	1040	425
YXR1705-16	280	925	780	715	180	1092	450
YXR1705-17	320	964	820	745	190	1140	470
YXR1705-18	360	1005	855	780	195	1190	490
YXR1705-19	400	1040	885	805	205	1230	505
YXR1705-20	440	1074	910	830	210	1270	520
YXR1705-21	480	1105	940	855	215	1305	535
YXR1705-22	520	1133	960	875	220	1340	550
YXR1705-23	560	1165	985	900	230	1375	565
YXR1705-24	600	1191	1010	920	235	1410	580
YXR1705-25	640	1217	1035	940	240	1440	675
YXR1705-26	675	1237	1051	960	245	1464	585
YXR1705-27	720	1262	1075	975	250	1495	615
YXR1705-28	800	1310	1115	1015	255	1550	635
YXR1705-29	855	1338	1137	1137	257	1585	633
YXR1705-30	900	1365	1160	1160	270	1615	665
YXR1705-31	970	1396	1186	1186	272	1654	660
YXR1705-32	1000	1410	1200	1200	275	1670	670
YXR1705-33	1080	1447	1229	1229	278	1713	684
YXR1705-34	1250	1521	1290	1290	300	1800	740
YXR1705-35	1305	1541	1309	1309	296	1824	729
YXR1705-36	1500	1615	1370	1370	315	1910	785
YXR1705-37	1575	1641	1394	1394	315	1943	776
YXR1705-38	1750	1705	1445	1445	335	2015	830
YXR1705-39	1845	1729	1469	1469	340	2049	818
YXR1705-40	2000	1780	1510	1510	350	2105	865

ITEM NO.	WT (KG)	SIZE (MM)					
		A	B	C	D	E	F
YXR1705-41	2140	1817	1544	1411	349	2152	860
YXR1705-42	2250	1850	1570	1430	360	2185	900
YXR1705-43	2500	1920	1630	1480	375	2265	930
YXR1705-44	2655	1954	1664	1516	372	2312	925
YXR1705-45	2835	1996	1700	1550	380	2364	945
YXR1705-46	3040	2042	1735	1585	390	2418	968
YXR1705-47	3240	2086	1773	1620	398	2471	988
YXR1705-48	3445	2129	1809	1653	406	2522	1009
YXR1705-49	3670	2174	1847	1689	415	2576	1030
YXR1705-50	3940	2226	1892	1730	425	2640	1055
YXR1705-51	4210	2276	1934	1768	434	2698	1078
YXR1705-52	4500	2328	1978	1808	444	2758	1103
YXR1705-53	4840	2385	2026	1852	455	2825	1130
YXR1705-54	5175	2439	2072	1894	465	2889	1155
YXR1705-55	5515	2491	2116	1934	475	2950	1180
YXR1705-56	5850	2541	2159	1973	485	3009	1204
YXR1705-57	6225	2594	2204	2014	495	3072	1229
YXR1705-58	6525	2635	2239	2046	503	3121	1248
YXR1705-59	6975	2695	2290	2092	514	3191	1276
YXR1705-60	7425	2751	2337	2136	525	3258	1303
YXR1705-61	7875	2805	2384	2178	535	3323	1329
YXR1705-62	8325	2858	2428	2219	545	3385	1354
YXR1705-63	8775	2908	2471	2258	555	3445	1378
YXR1705-64	9225	2958	2512	2296	564	3502	1401
YXR1705-65	9675	3004	2553	2333	573	3558	1423
YXR1705-66	10215	3050	2592	2369	582	3613	1445
YXR1705-67	10575	3095	2630	2403	590	3666	1466
YXR1705-68	11025	3138	2667	2437	599	3717	1486
YXR1705-69	11550	3187	2708	2475	608	3775	1510
YXR1705-70	12075	3235	2748	2512	617	3831	1533
YXR1705-71	12675	3288	2794	2553	628	3894	1557
YXR1705-72	13350	3345	2842	2598	638	3962	1585
YXR1705-73	14100	3406	2895	2645	694	4035	1614
YXR1705-74	15000	3478	2955	2700	664	4119	1647
YXR1705-75	15400	3508	2981	2724	669	4155	1662
YXR1705-76	16125	3563	3027	2766	680	4220	1687
YXR1705-77	17250	3643	3096	2829	696	4315	1726
YXR1705-78	18375	3712	3162	2889	710	4407	1762
YXR1705-79	19500	3795	3225	2947	725	4495	1798
YXR1705-80	20625	3867	3286	3003	738	4580	1832



YXR1706

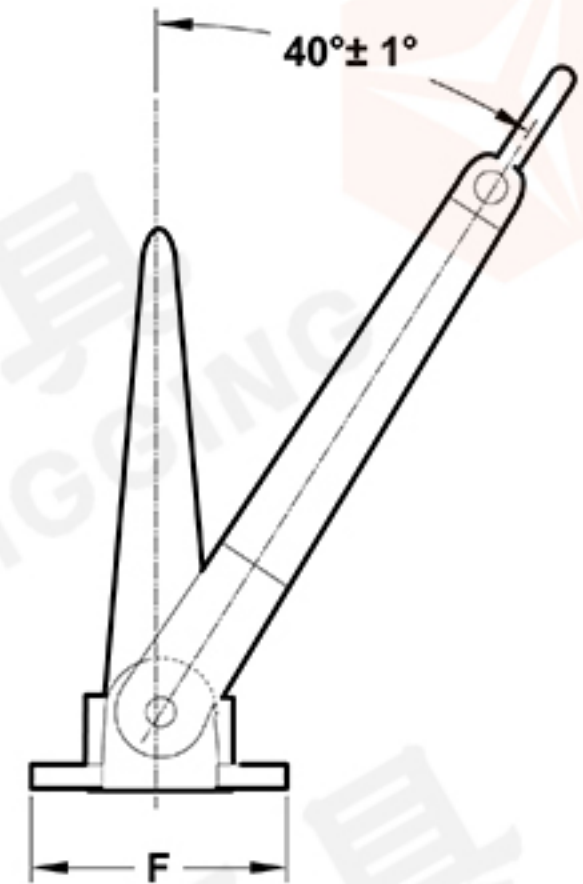
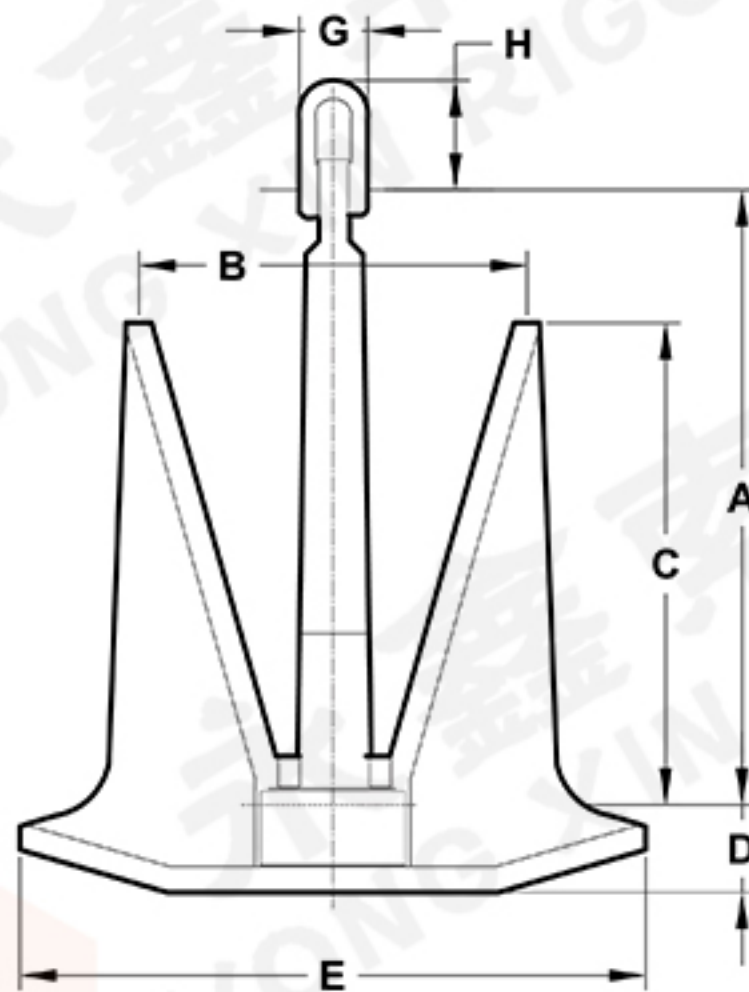


STEVIN MK5 ANCHOR

ITEM NO.	NOMINAL WEIGHT (KG)	SIZE (MM)					
		A	B	C	E	F	H
YXR1706-01	300	1828	1968	1101	927	160	757
YXR1706-02	500	2040	2197	1233	1035	179	845
YXR1706-03	1000	2570	2770	1562	1304	226	1064
YXR1706-04	1500	2944	3174	1802	1495	261	1230
YXR1706-05	2000	3244	3494	1969	1646	285	1343
YXR1706-06	3000	3711	4001	2279	1886	332	1540
YXR1706-07	4000	4083	4403	2431	2074	359	1692
YXR1706-08	5000	4402	4746	2697	2238	396	1835
YXR1706-09	6000	4680	5040	2841	2374	411	1988
YXR1706-10	7000	4900	5280	3001	2490	443	2045
YXR1706-11	8000	5151	5553	3156	2619	464	2139
YXR1706-12	9000	5359	5772	3253	2719	471	2219
YXR1706-13	10000	5549	5932	3400	3822	501	2305
YXR1706-14	12000	5893	6353	3614	3000	533	2450
YXR1706-15	14000	6209	6694	3805	3159	562	2580
YXR1706-16	15000	6354	6850	3804	3232	575	2640
YXR1706-17	16000	6469	6967	3927	3282	569	2673
YXR1706-18	18000	6753	7280	4139	3436	612	2806
YXR1706-19	20000	6994	7540	4287	3559	634	2907
YXR1706-20	22000	7220	7784	4426	3674	654	3001
YXR1706-21	25000	7535	8123	4619	3834	684	3132
YXR1706-22	30000	3003	8635	4919	4075	727	3329



YXR1707



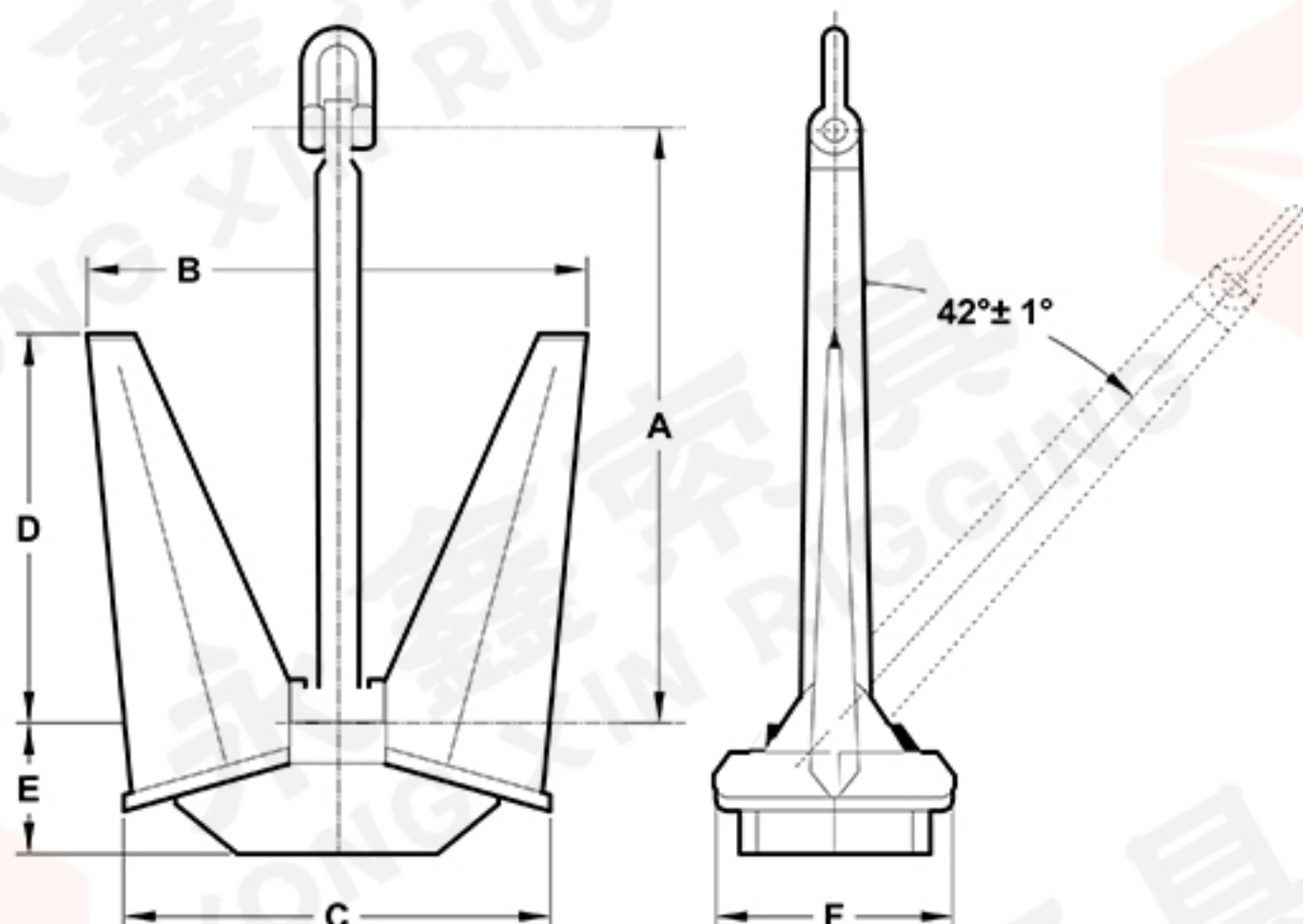
D-HONE HHP ANCHOR

ITEM NO.	WT (KG)	SIZE (MM)							
		A	B	C	D	E	F	G	H
YXR1707-01	200	789	495	566	182	847	313	110	145
YXR1707-02	300	900	566	648	207	968	358	136	175
YXR1707-03	400	994	624	710	231	1065	395	151	192
YXR1707-04	500	1070	670	765	250	1150	425	163	215
YXR1707-05	550	1105	693	790	257	1185	438	163	215
YXR1707-06	600	1138	714	815	263	1220	452	163	215
YXR1707-07	650	1170	733	835	275	1255	465	174	235
YXR1707-08	700	1200	750	860	275	1285	475	174	235
YXR1707-09	750	1225	765	875	275	1310	485	174	235
YXR1707-10	800	1253	780	895	281	1340	495	174	235
YXR1707-11	850	1280	800	915	295	1370	507	200	255
YXR1707-12	900	1300	810	927	297	1386	513	200	255
YXR1707-13	950	1327	830	950	308	1425	527	200	255
YXR1707-14	1000	1350	840	965	315	1450	536	200	255
YXR1707-15	1100	1394	875	1000	320	1490	555	215	280
YXR1707-16	1200	1435	900	1030	330	1540	570	215	280
YXR1707-17	1300	1475	925	1055	341	1580	585	215	280
YXR1707-18	1400	1510	945	1080	350	1620	600	215	280
YXR1707-19	1500	1545	970	1100	365	1660	610	215	280
YXR1707-20	1600	1578	990	1130	366	1690	627	236	310
YXR1707-21	1700	1608	1008	1150	373	1725	638	236	310
YXR1707-22	1800	1640	1030	1175	380	1760	650	236	310
YXR1707-23	1900	1670	1055	1190	390	1790	660	236	310
YXR1707-24	2000	1700	1080	1220	390	1825	675	236	310
YXR1707-25	2200	1750	1100	1250	410	1880	695	256	340
YXR1707-26	2400	1800	1130	1290	420	1940	717	256	340

ITEM NO.	WT (KG)	SIZE (MM)							
		A	B	C	D	E	F	G	H
YXR1707-27	2600	1855	1160	1330	420	1990	737	279	380
YXR1707-28	2800	1900	1190	1365	435	2040	755	279	380
YXR1707-29	3000	1950	1220	1400	445	2090	770	279	380
YXR1707-30	3250	2000	1250	1430	460	2140	790	284	385
YXR1707-31	3500	2050	1285	1470	470	2200	810	284	385
YXR1707-32	4000	2132	1340	1530	490	2280	850	305	410
YXR1707-33	4500	2224	1395	1590	510	2385	880	310	410
YXR1707-34	5000	2335	1460	1670	540	2505	927	343	450
YXR1707-35	5300	2350	1470	1680	540	2520	930	343	450
YXR1707-36	5800	2430	1525	1745	560	2610	965	343	450
YXR1707-37	6000	2484	1555	1780	575	2665	986	370	480
YXR1707-38	6500	2520	1580	1810	580	2710	1002	370	480
YXR1707-39	7000	2580	1610	1840	595	2755	1020	370	480
YXR1707-40	7400	2635	1650	1890	605	2825	1045	377	500
YXR1707-41	8000	2686	1685	1930	615	2880	1065	391	540
YXR1707-42	8300	2736	1710	1950	635	2926	1085	391	540
YXR1707-43	8800	2785	1745	1995	643	2990	1105	391	540
YXR1707-44	9200	2830	1775	2030	650	3030	1120	418	580
YXR1707-45	9600	2877	1800	2060	660	3080	1140	418	580
YXR1707-46	10000	2920	1830	2090	670	3126	1157	437	600
YXR1707-47	10500	2964	1860	2125	685	3180	1180	437	600
YXR1707-48	12000	3100	1940	2220	715	3320	1230	452	630
YXR1707-49	13500	3200	2010	2290	740	3435	1270	468	640
YXR1707-50	14000	3260	2045	2330	760	3495	1294	483	660
YXR1707-51	15000	3360	2100	2410	770	3600	1330	498	680



YXR1708



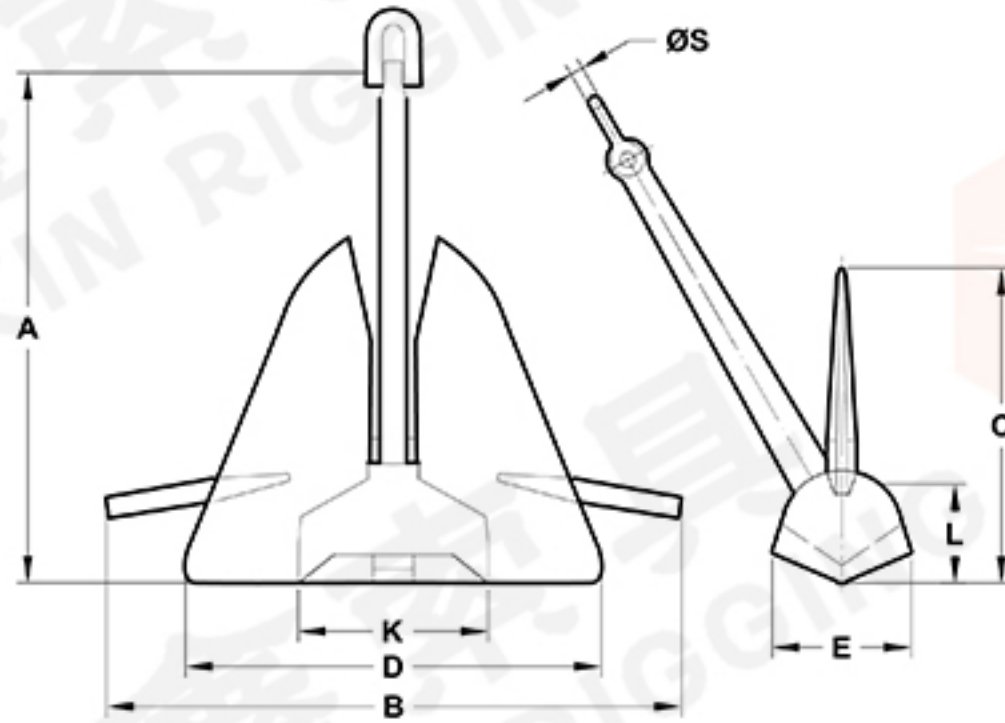
CJN-SB TYPE HHP ANCHOR

ITEM NO.	WT (KG)	SIZE (MM)					
		A	B	C	D	E	F
YXR1708-01	60	590	555	470	364	157	270
YXR1708-02	80	664	605	515	410	176	295
YXR1708-03	100	712	655	555	440	190	320
YXR1708-04	160	835	765	650	516	223	370
YXR1708-05	200	885	825	700	546	236	400
YXR1708-06	280	1008	925	780	622	269	450
YXR1708-07	360	1096	1005	855	677	292	490
YXR1708-08	480	1186	1105	940	728	314	535
YXR1708-09	600	1300	1190	1010	802	347	580
YXR1708-10	765	1410	1290	1096	870	375	610
YXR1708-11	1000	1526	1395	1185	942	404	660
YXR1708-12	1080	1580	1446	1230	975	421	685
YXR1708-13	1195	1636	1485	1270	1010	436	708
YXR1708-14	1305	1680	1541	1308	1037	448	730
YXR1708-15	1440	1738	1592	1352	1073	464	754
YXR1708-16	1575	1769	1640	1386	1092	472	777
YXR1708-17	1710	1840	1686	1455	1137	491	798
YXR1708-18	1845	1890	1729	1469	1168	504	819
YXR1708-19	1980	1935	1770	1504	1195	516	836
YXR1708-20	2140	1985	1816	1543	1226	530	860
YXR1708-21	2295	2030	1860	1580	1254	540	880
YXR1708-22	2655	2140	1954	1684	1322	566	926
YXR1708-23	2835	2188	1996	1700	1351	580	945
YXR1708-24	3000	2238	2042	1736	1382	592	968
YXR1708-25	3240	2287	2086	1773	1412	605	988

ITEM NO.	WT (KG)	SIZE (MM)					
		A	B	C	D	E	F
YXR1708-26	3940	2442	2226	1892	1508	646	1055
YXR1708-27	4500	2553	2328	1976	1576	675	1103
YXR1708-28	5175	2675	2439	2072	1651	708	1155
YXR1708-29	5515	2730	2491	2116	1686	722	1180
YXR1708-30	5850	2786	2541	2159	1720	737	1204
YXR1708-31	6225	2838	2594	2204	1750	756	1229
YXR1708-32	6525	2880	2635	2239	1780	768	1248
YXR1708-33	6975	2948	2695	2290	1820	786	1276
YXR1708-34	7425	3010	2760	2338	1858	802	1303
YXR1708-35	7875	3069	2805	2384	1895	818	1329
YXR1708-36	8775	3180	2908	2471	1964	848	1376
YXR1708-37	9225	3235	2968	2512	1997	862	1401
YXR1708-38	9675	3286	3004	2553	2029	876	1423
YXR1708-39	10125	3337	3060	2592	2060	890	1445
YXR1708-40	10575	3386	3095	2630	2090	902	1468
YXR1708-41	12075	3538	3236	2748	2184	943	1533
YXR1708-42	12675	3596	3288	2794	2220	958	1556
YXR1708-43	13350	3658	3346	2842	2258	975	1585
YXR1708-44	14100	3726	3406	2894	2300	993	1614
YXR1708-45	15000	3804	3476	2954	2348	1014	1646
YXR1708-46	17250	3985	3643	3095	2460	1062	1726
YXR1708-47	20825	4240	3887	3285	2618	1130	1832
YXR1708-48	24750	4495	4109	3491	2775	1198	1947
YXR1708-49	28875	4717	4324	3675	2912	1258	2049



YXR1709

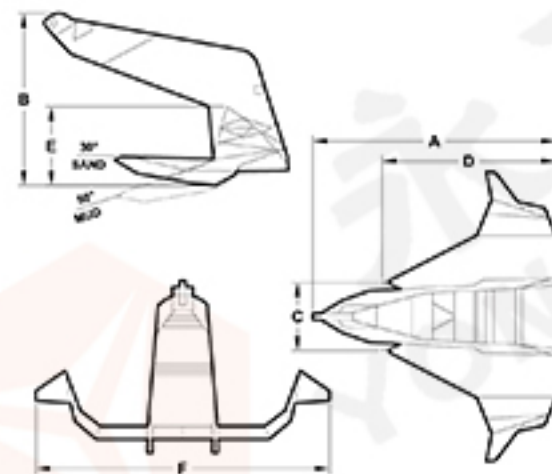


STEVIN MK3 ANCHOR

ITEM NO.	NOMINAL WEIGHT (KG)	SIZE (MM)							
		A	B	C	D	E	K	L	S
YXR1709-01	1000	2429	2654	1559	2023	737	1010	412	60
YXR1709-02	1500	2774	3038	1785	2316	843	1156	471	65
YXR1709-03	3000	3493	3828	2249	2918	1063	1456	594	80
YXR1709-04	5000	4120	4538	2667	3460	1260	1727	704	80
YXR1709-05	7000	4602	5077	2983	3871	1409	1932	788	90
YXR1709-06	9000	5012	5521	3244	4209	1533	2100	857	100
YXR1709-07	12000	5516	6076	3570	4632	1687	2312	943	110
YXR1709-08	15000	5942	6545	3846	4990	1817	2490	1016	120
YXR1709-09	20000	6372	6986	4100	5324	2048	2674	1083	160
YXR1709-10	30000	7289	7997	4694	6094	2345	3061	1240	180

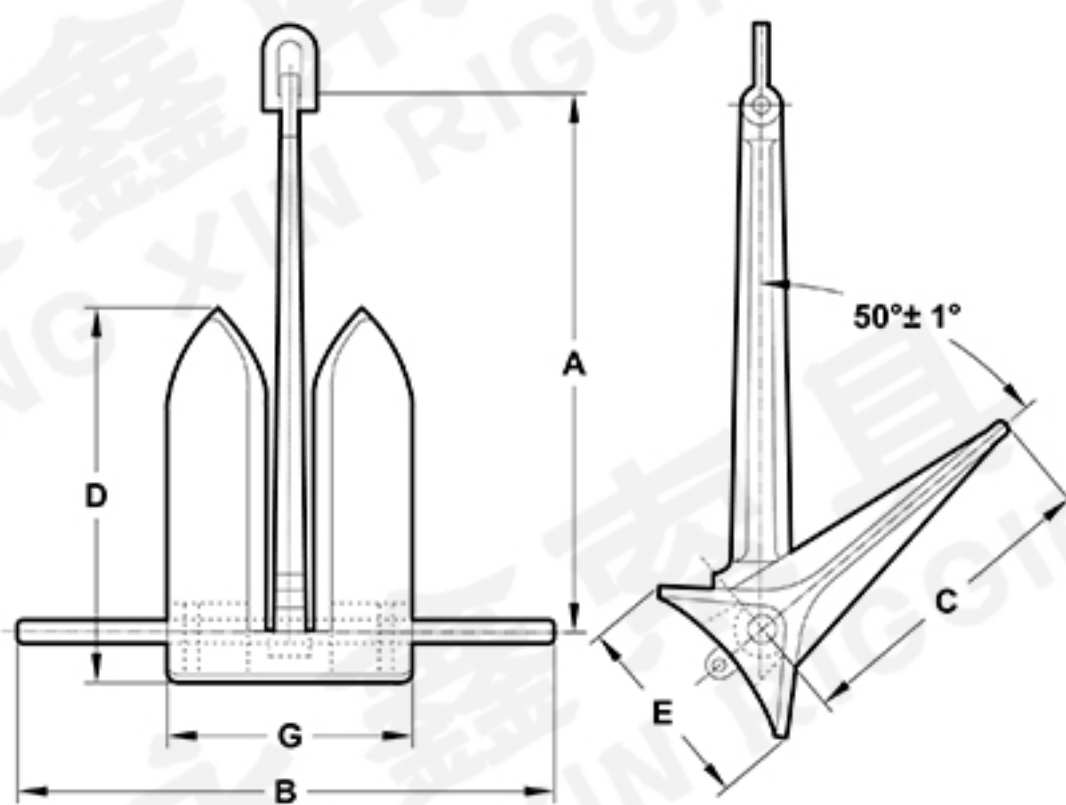


YXR1710



WELDING BRUCE HHP ANCHOR

ITEM NO.	NOMINAL WEIGHT (KG)	SIZE (MM)					
		A	B	C	D	E	F
YXR1710-01	500	1827	1280	500	1303	606	2188
YXR1710-02	800	2073	1452	667	1479	688	2484
YXR1710-03	1500	2648	1854	723	1888	878	3172
YXR1710-04	3000	3409	2388	931	2431	1131	4085
YXR1710-05	4500	3800	2751	1047	2733	1298	4605
YXR1710-06	5000	4029	2822	1100	2873	1336	4828
YXR1710-07	6000	4227	3028	1161	3031	1430	5104
YXR1710-08	6500	4326	3131	1192	3110	1478	5242
YXR1710-09	9000	4846	3394	1324	3456	1607	5806
YXR1710-10	10000	5287	3563	1390	3628	1687	6095
YXR1710-11	12000	5437	3808	1486	3878	1803	6514
YXR1710-12	15000	5728	4012	1566	4085	1900	6864
YXR1710-13	18000	6129	4292	1674	4371	2031	7343
YXR1710-14	20000	6319	4426	1726	4507	2096	7571
YXR1710-15	30000	7225	5060	1974	5153	2396	8656



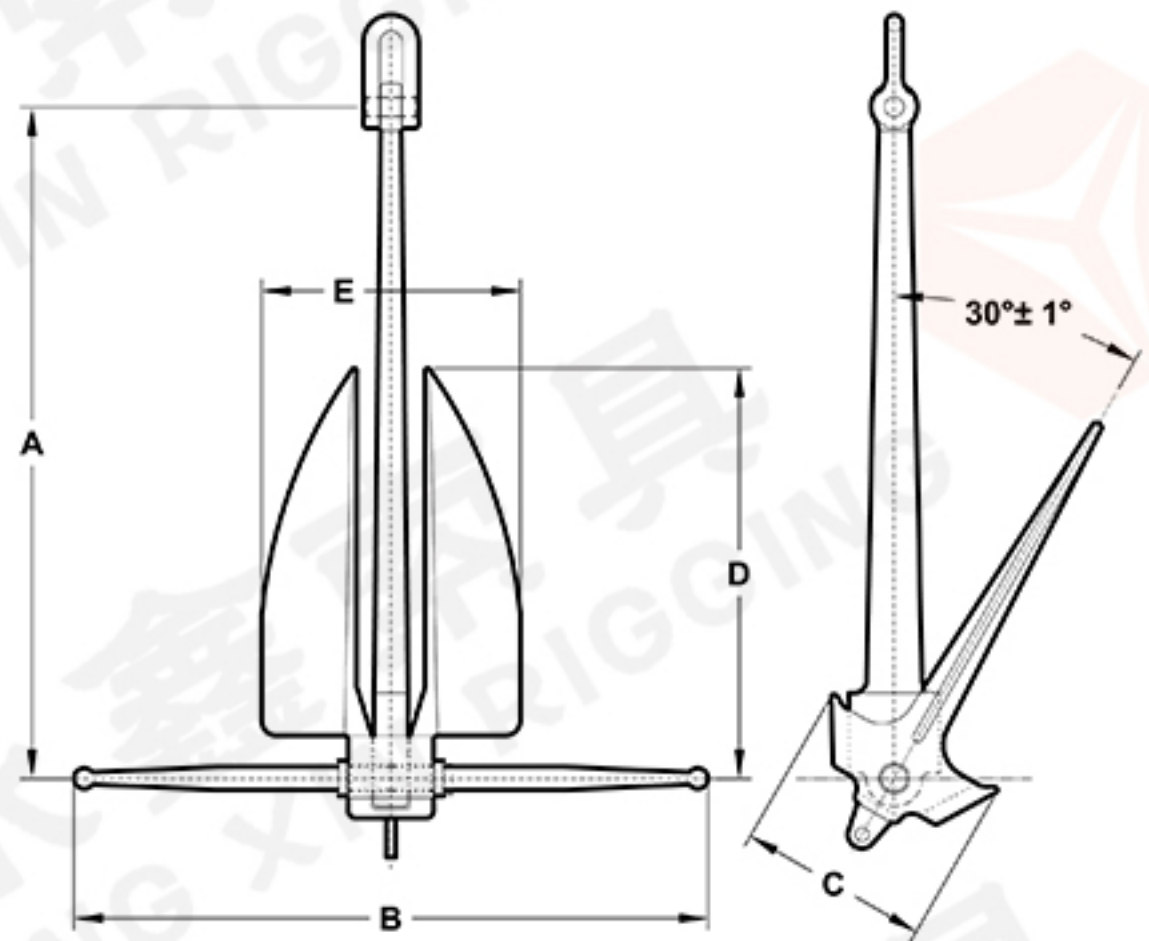
YXR1711

OFFDRILL ANCHOR

ITEM NO.	NOMINAL WEIGHT (KG)	SIZE (MM)					
		A	B	C	D	E	G
YXR1711-01	227	1205	1330	725	865	395	485
YXR1711-02	454	1520	1675	915	1090	500	625
YXR1711-03	680	1770	2120	1050	1250	575	740
YXR1711-04	908	1950	2340	1160	1380	630	815
YXR1711-05	1136	2100	2520	1250	1485	680	875
YXR1711-06	1360	2230	2655	1330	1580	725	930
YXR1711-07	1590	2350	2820	1400	1665	765	980
YXR1711-08	1815	2500	2945	1460	1740	800	1020
YXR1711-09	2045	2555	3065	1520	1805	830	1065
YXR1711-10	2270	2645	3175	1575	1870	860	1100
YXR1711-11	2725	2815	3375	1675	1990	910	1170
YXR1711-12	3180	2950	3540	1755	2090	940	1230
YXR1711-13	3630	3095	3890	1840	2190	1012	1290
YXR1711-14	4540	3335	4000	1985	2360	1070	1390
YXR1711-15	5445	3540	4250	2110	2505	1140	1475
YXR1711-16	6350	3730	4500	2220	2640	1228	1555
YXR1711-17	7260	3900	4750	2320	2760	1280	1625
YXR1711-18	9080	4200	4900	2500	2975	1385	1750
YXR1711-19	11350	4500	5165	2680	3205	1530	1875
YXR1711-20	13620	4810	5335	2860	3405	1545	2000
YXR1711-21	15000	4900	5390	2955	3515	1585	2070
YXR1711-22	18160	5120	5635	3090	3675	1692	2165
YXR1711-23	20430	5330	5865	3215	3850	1760	2250
YXR1711-24	22700	5600	6150	3360	4025	1900	2365
YXR1711-25	27240	5950	6535	3570	4250	1955	2515
YXR1711-26	31780	6260	6875	3755	4470	2055	2645

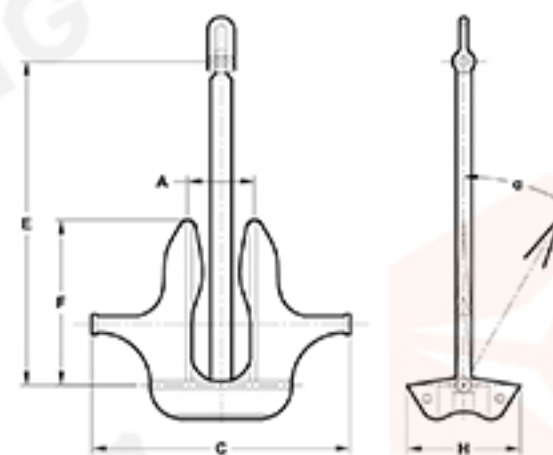


YXR1712



GB11579-89 LIGHT WEIGHT ANCHOR

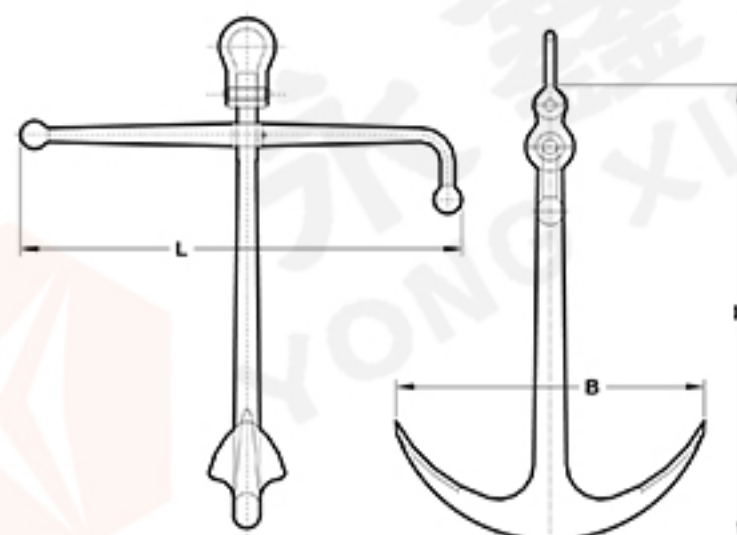
ITEM NO.	WT (KG)	SIZE (MM)					ITEM NO.	WT (KG)	SIZE (MM)				
		A	B	C	D	E			A	B	C	D	E
YXR1712-01	14	770	730	222	444	288	YXR1712-22	4100	3380	3200	1150	2060	1330
YXR1712-02	23	885	840	252	508	328	YXR1712-23	4540	3490	3310	1180	2130	1370
YXR1712-03	34	965	915	279	559	366	YXR1712-24	5000	3600	3420	1226	2200	1400
YXR1712-04	45	1055	1000	310	610	396	YXR1712-25	5500	3710	3520	1264	2260	1450
YXR1712-05	70	1185	1130	348	686	450	YXR1712-26	5900	3810	3610	1296	2320	1500
YXR1712-06	90	1205	1140	360	737	480	YXR1712-27	6400	3910	3710	1334	2390	1540
YXR1712-07	140	1345	1270	414	825	540	YXR1712-28	6800	3990	3790	1362	2440	1570
YXR1712-08	180	1460	1380	450	896	584	YXR1712-29	7300	4080	3870	1394	2490	1610
YXR1712-09	230	1560	1480	482	952	610	YXR1712-30	7700	4170	3950	1422	2540	1640
YXR1712-10	340	1750	1640	560	1068	680	YXR1712-31	8200	4240	4020	1448	2590	1670
YXR1712-11	450	1910	1800	610	1165	740	YXR1712-32	8600	4320	4100	1474	2640	1700
YXR1712-12	680	2190	2080	700	1340	840	YXR1712-33	9100	4390	4170	1500	2690	1730
YXR1712-13	910	2350	2200	762	1435	940	YXR1712-34	10000	4540	4300	1546	2770	1780
YXR1712-14	1140	2580	2450	825	1575	1000	YXR1712-35	11100	4730	4480	1614	2890	1860
YXR1712-15	1360	2750	2600	880	1680	1060	YXR1712-36	13600	5030	4800	1716	3070	1980
YXR1712-16	1500	2830	2680	912	1730	1080	YXR1712-37	15000	5200	4950	1774	3170	2050
YXR1712-17	1820	2940	2790	952	1800	1120	YXR1712-38	16000	5290	5050	1804	3230	2080
YXR1712-18	2270	2990	2840	984	1830	1130	YXR1712-39	18000	5540	5280	1904	3330	2180
YXR1712-19	2730	3150	2990	1040	1930	1200	YXR1712-40	20000	5710	5450	1950	3480	2250
YXR1712-20	3180	3200	3030	1070	1960	1240							
YXR1712-21	3630	3250	3070	1105	1980	1276							



GB57-77 MATROSOV HHP ANCHOR

YXR1713

ITEM NO.	NOMINAL WEIGHT (KG)	SIZE (MM)					
		A	E	C	F	H	A
YXR1713-01	25	130	570	690	385	214	28~30
YXR1713-02	35	148	620	760	420	230	30~32
YXR1713-03	50	170	680	840	480	250	30~32
YXR1713-04	75	190	770	950	540	270	30~32
YXR1713-05	100	210	830	1060	590	290	30~32
YXR1713-06	125	226	870	1130	630	310	30~32
YXR1713-07	150	242	910	1190	670	330	30~32
YXR1713-08	200	270	980	1300	740	370	30~32
YXR1713-09	250	294	1040	1380	800	400	33~37
YXR1713-10	300	312	1090	1480	850	430	33~37
YXR1713-11	400	342	1190	1630	930	480	33~37
YXR1713-12	500	366	1280	1750	1000	520	33~37
YXR1713-13	650	400	1385	1910	1090	565	33~37
YXR1713-14	750	418	1450	2000	1140	590	33~37
YXR1713-15	1000	452	1570	2170	1240	630	33~37
YXR1713-16	1250	488	1660	2280	1300	660	33~37
YXR1713-17	1500	515	1715	2370	1350	675	33~37



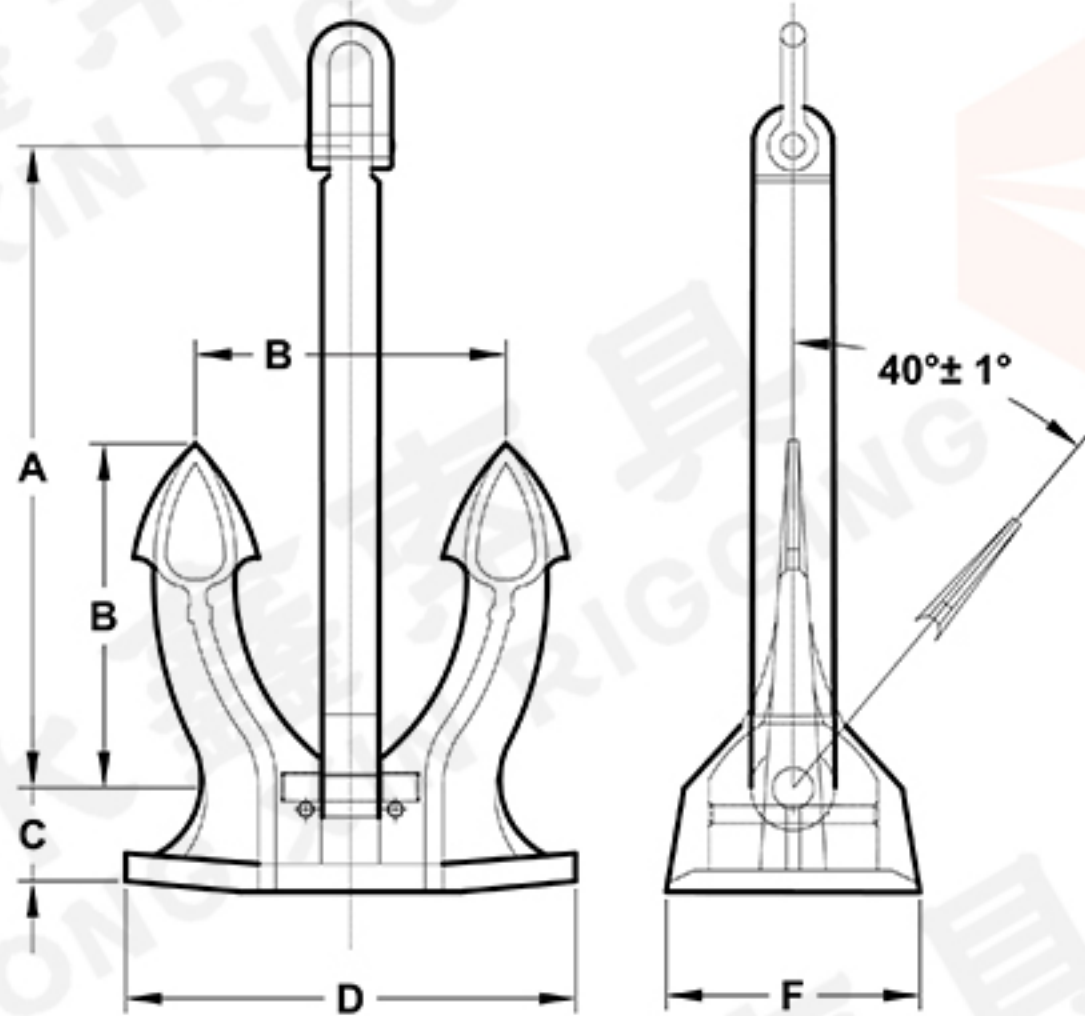
JAPAN STOCK ANCHOR

YXR1714

ITEM NO.	NOMINAL WEIGHT (KG)	SIZE (MM)		
		A	E	C
YXR1714-01	500	2000	2065	1350
YXR1714-02	700	2260	2335	1510
YXR1714-03	750	2310	2342	1560
YXR1714-04	1000	2550	2637	1700
YXR1714-05	1500	2890	2960	1950
YXR1714-06	2000	3160	3272	2140
YXR1714-07	3000	3630	3555	2650
YXR1714-08	3500	3810	3820	2570
YXR1714-09	4000	4000	4135	2920
YXR1714-10	5000	4310	4470	3140
YXR1714-11	6000	4580	4740	3330
YXR1714-12	7000	4820	4980	3530
YXR1714-13	8000	5040	5215	3620



YXR1715



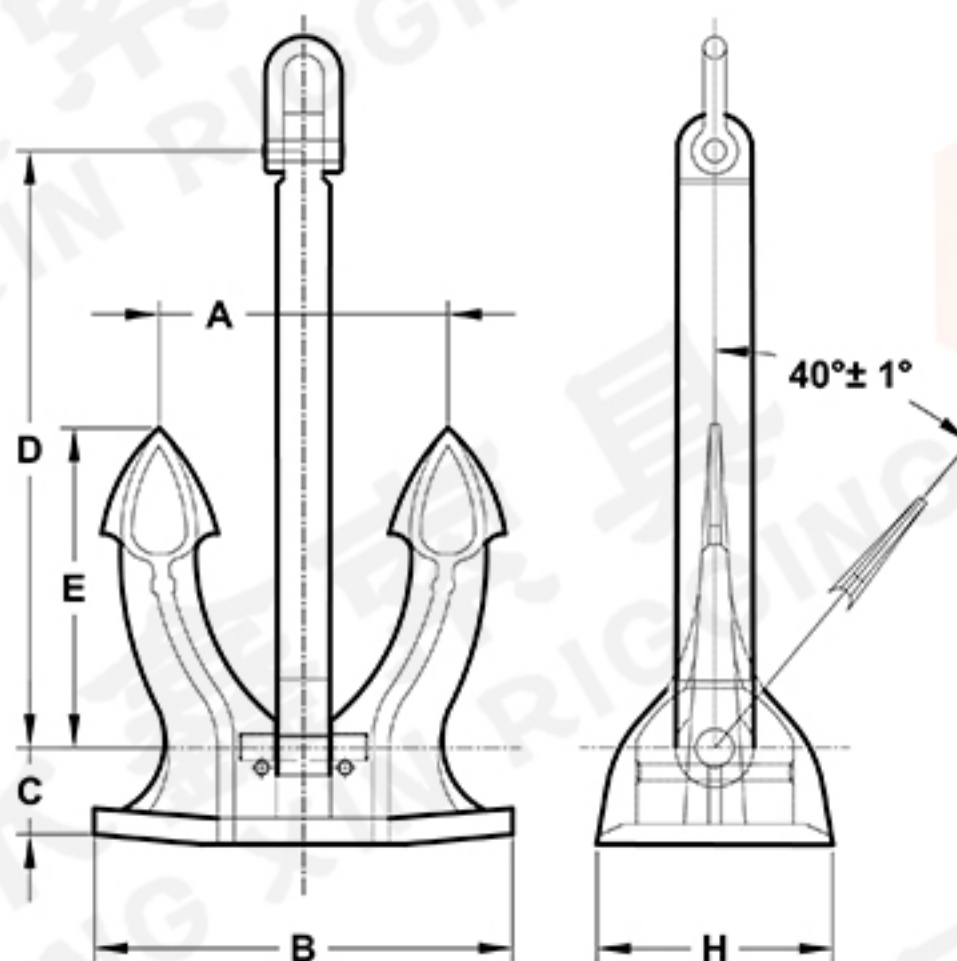
CB711-95 SPEK ANCHOR

ITEM NO.	WT (KG)	SIZE (MM)				
		A	B	C	D	F
YXR1715-01	100	672	373	112	515	250
YXR1715-02	150	770	428	128	590	290
YXR1715-03	180	846	470	140	640	300
YXR1715-04	240	900	500	150	690	358
YXR1715-05	300	990	550	166	760	398
YXR1715-06	360	1065	600	180	828	411
YXR1715-07	420	1080	600	180	828	431
YXR1715-08	500	1170	650	196	900	450
YXR1715-09	570	1170	650	196	900	475
YXR1715-10	660	1260	700	210	960	486
YXR1715-11	780	1355	750	225	1032	519
YXR1715-12	900	1440	800	240	1100	547
YXR1715-13	1020	1530	850	252	1170	573
YXR1715-14	1140	1620	900	268	1240	591
YXR1715-15	1290	1710	900	268	1240	620
YXR1715-16	1440	1710	950	279	1300	640
YXR1715-17	1590	1710	950	279	1300	671
YXR1715-18	1740	1800	1000	300	1378	689
YXR1715-19	1920	1850	1050	312	1454	704
YXR1715-20	2100	1890	1050	312	1454	717
YXR1715-21	2280	2010	1050	312	1454	736
YXR1715-22	2460	2010	1100	324	1514	764
YXR1715-23	2640	2070	1150	352	1584	794
YXR1715-24	2850	2070	1150	352	1584	804
YXR1715-25	3060	2160	1200	360	1650	820
YXR1715-26	3300	2155	1200	360	1650	834
YXR1715-27	3540	2350	1200	360	1650	834
YXR1715-28	3780	2430	1350	393	1850	880
YXR1715-29	4050	2430	1350	393	1850	917

ITEM NO.	WT (KG)	SIZE (MM)				
		A	B	C	D	F
YXR1715-30	4320	2520	1400	413	1926	917
YXR1715-31	4590	2520	1400	413	1926	951
YXR1715-32	4890	2520	1400	413	1926	954
YXR1715-33	5250	2610	1450	414	2000	964
YXR1715-34	5610	2610	1450	414	2000	981
YXR1715-35	6000	2700	1500	446	2060	1006
YXR1715-36	6450	2700	1500	446	2060	1028
YXR1715-37	6900	2790	1550	456	2138	1034
YXR1715-38	7350	2790	1550	456	2138	1062
YXR1715-39	7800	2920	1550	456	2138	1091
YXR1715-40	8300	3060	1700	510	2332	1126
YXR1715-41	8700	3060	1700	510	2332	1156
YXR1715-42	9300	3060	1700	510	2332	1169
YXR1715-43	9900	3160	1700	510	2332	1188
YXR1715-44	10500	3190	1770	531	2440	1188
YXR1715-45	11100	3290	1770	531	2440	1212
YXR1715-46	11700	3390	1770	531	2440	1237
YXR1715-47	12300	3440	1910	573	2632	1279
YXR1715-48	12900	3440	1910	573	2632	1279
YXR1715-49	13500	3440	1910	573	2632	1316
YXR1715-50	14100	3440	1910	573	2632	1353
YXR1715-51	14700	3690	2050	615	2824	1369
YXR1715-52	15400	3690	2050	615	2824	1369
YXR1715-53	16100	3690	2050	615	2824	1387
YXR1715-54	16900	3820	2120	636	2922	1415
YXR1715-55	17800	3950	2120	636	2922	1431
YXR1715-56	18800	3950	2190	657	3018	1461
YXR1715-57	20000	4070	2190	657	3018	1493
YXR1715-58	26000	4250	2360	716	3256	1618



YXR1716



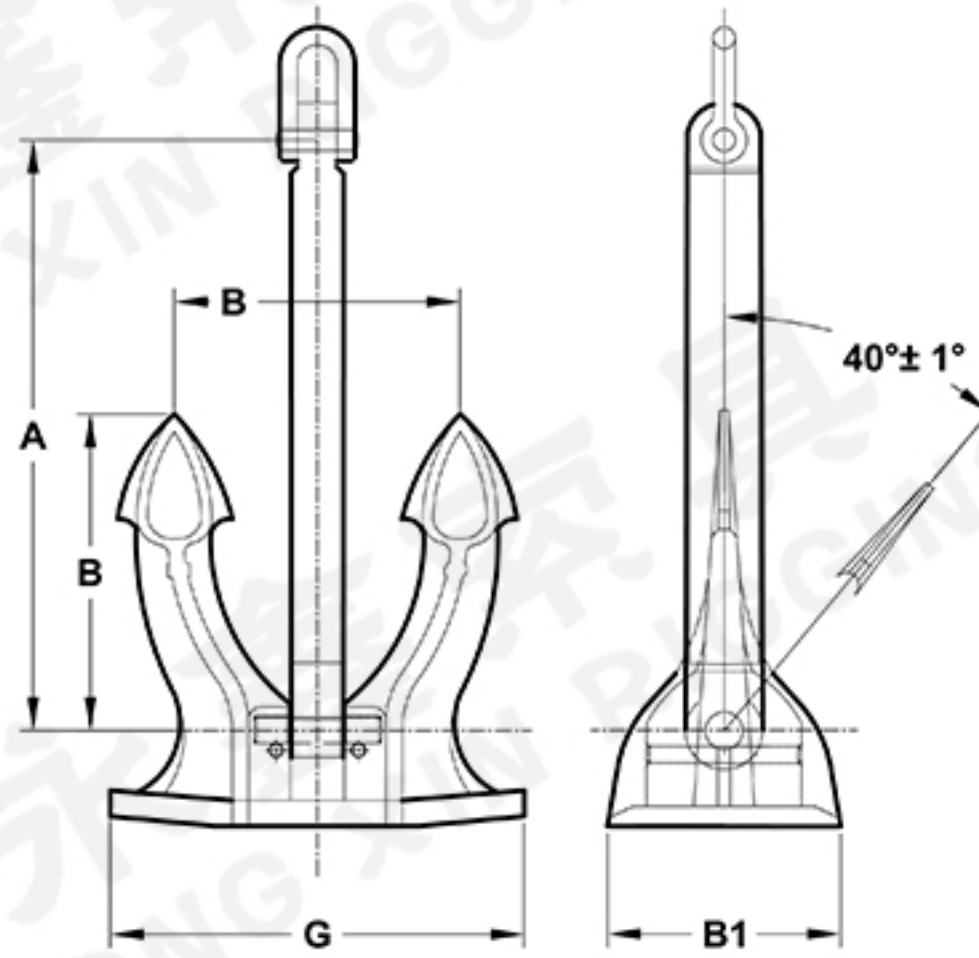
TYPE M SPEK ANCHOR

ITEM NO.	WT (KG)	SIZE (MM)					
		A	B	C	D	E	H
YXR1716-01	80	339	468	108	611	336	222
YXR1716-02	105	371	512	120	669	336	242
YXR1716-03	135	371	512	149	669	368	254
YXR1716-04	240	445	613	182	800	440	304
YXR1716-05	300	527	727	168	949	522	344
YXR1716-06	360	527	727	190	949	522	358
YXR1716-07	420	590	813	188	1062	584	385
YXR1716-08	480	590	813	211	1062	584	395
YXR1716-09	570	652	900	208	1175	647	428
YXR1716-10	660	653	900	208	1175	647	428
YXR1716-11	780	725	1000	231	1305	718	473
YXR1716-12	900	725	1000	264	1215	718	485
YXR1716-13	1020	793	1093	252	1428	785	518
YXR1716-14	1140	793	1093	277	1428	785	530
YXR1716-15	1290	858	1183	273	1544	850	561
YXR1716-16	1440	858	1183	299	1544	850	573
YXR1716-17	1590	920	1268	293	1655	911	604
YXR1716-18	1740	920	1268	315	1655	911	611
YXR1716-19	1920	980	1350	312	1761	970	640
YXR1716-20	2100	980	1350	337	1761	970	650
YXR1716-21	2280	1038	1430	331	1866	1027	678
YXR1716-22	2460	1038	1430	355	1866	1027	688
YXR1716-23	2640	1090	1500	347	1959	1079	712
YXR1716-24	2850	1190	1500	380	1950	1079	722
YXR1716-25	3060	1144	1578	365	2058	1133	748
YXR1716-26	3300	1144	1578	387	2058	1133	760
YXR1716-27	3540	1202	1656	383	2159	1189	785
YXR1716-28	3780	1202	1656	405	2159	1189	797
YXR1716-29	4050	1257	1732	400	2258	1244	821

ITEM NO.	WT (KG)	SIZE (MM)					
		A	B	C	D	E	H
YXR1716-30	4320	1257	1732	422	2258	1244	831
YXR1716-31	4590	1257	1732	444	2258	1244	841
YXR1716-32	4890	1338	1846	426	2405	1325	874
YXR1716-33	5250	1338	1846	450	2405	1325	888
YXR1716-34	5610	1432	1974	431	2405	1418	936
YXR1716-35	6000	1432	1974	457	2577	1418	936
YXR1716-36	6450	1432	1974	483	2577	1418	950
YXR1716-37	6900	1533	2112	462	2757	1518	1001
YXR1716-38	7350	1533	2112	488	2757	1518	1001
YXR1716-39	7800	1533	2112	514	2757	1518	1015
YXR1716-40	8300	1621	2234	489	2916	1605	1059
YXR1716-41	8700	1621	2234	517	2916	1605	1059
YXR1716-42	9300	1621	2234	545	2916	1605	1074
YXR1716-43	9900	1726	2380	520	3015	1709	1128
YXR1716-44	10500	1726	2380	550	3105	1709	1128
YXR1716-45	11100	1726	2380	580	3105	1709	1138
YXR1716-46	11700	1819	2507	554	3273	1801	1188
YXR1716-47	12300	1819	2507	580	3273	1801	1188
YXR1716-48	12900	1819	2507	607	3273	1801	1200
YXR1716-49	13500	1904	2624	577	3425	1885	1243
YXR1716-50	14100	1904	2624	607	3425	1885	1243
YXR1716-51	14700	1904	2624	650	3425	1885	1243
YXR1716-52	15400	1904	2624	657	3425	1885	1263
YXR1716-53	16100	2018	2782	612	3632	1998	1318
YXR1716-54	16900	2018	2782	638	3632	1998	1318
YXR1716-55	17800	2018	2782	683	3632	1998	1318
YXR1716-56	18800	2018	2782	699	3632	1998	1343
YXR1716-57	20000	2170	2990	652	3905	2148	1416



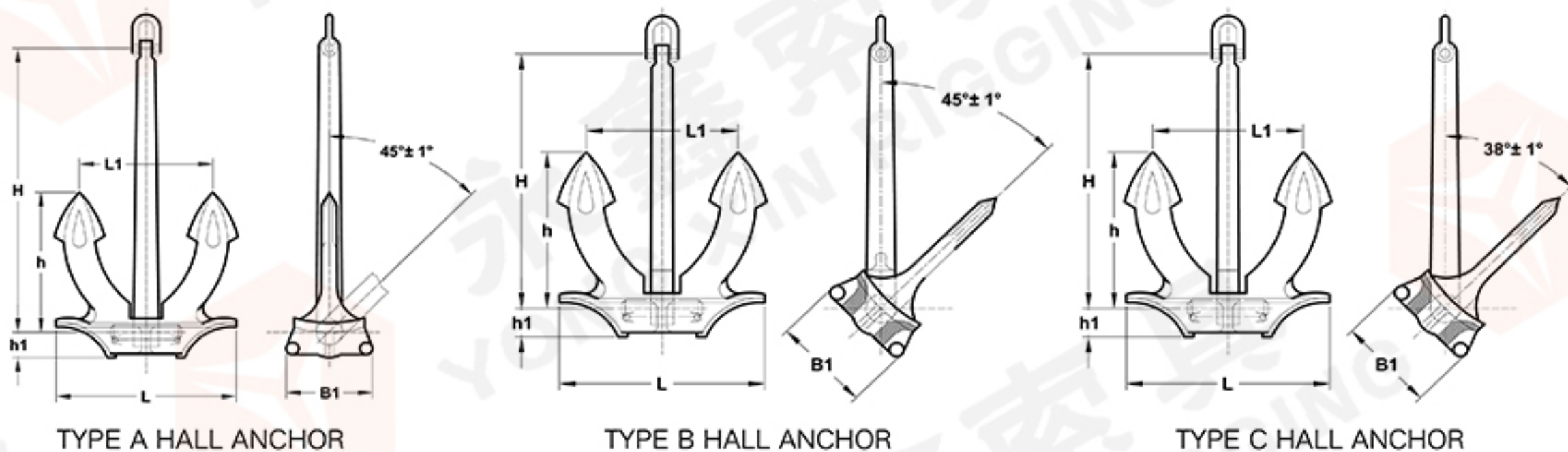
YXR1717



TYPE SR SPEK ANCHOR

ITEM NO.	WT (KG)	SIZE (MM)			
		A	B	B1	G
YXR1717-01	210	900	500	340	690
YXR1717-02	240	900	550	390	760
YXR1717-03	300	1080	600	412	828
YXR1717-04	420	1080	600	412	828
YXR1717-05	450	1080	600	412	828
YXR1717-06	480	1170	650	442	900
YXR1717-07	570	1170	650	442	900
YXR1717-08	610	1260	700	472	962
YXR1717-09	660	1260	700	472	962
YXR1717-10	750	1350	750	508	1032
YXR1717-11	780	1350	750	519	1032
YXR1717-12	900	1440	800	547	1100
YXR1717-13	1020	1440	850	573	1170
YXR1717-14	1040	1530	900	591	1240
YXR1717-15	1100	1620	900	620	1240
YXR1717-16	1200	1620	950	640	1300
YXR1717-17	1300	1710	950	640	1300
YXR1717-18	1400	1710	950	671	1300
YXR1717-19	1500	1710	950	671	1300
YXR1717-20	1650	1710	1000	669	1378
YXR1717-21	1800	1800	1050	704	1454
YXR1717-22	1920	1890	1050	717	1454
YXR1717-23	2100	1890	1050	736	1454
YXR1717-24	2190	1890	1050	736	1454
YXR1717-25	2280	1890	1100	764	1454
YXR1717-26	2460	1980	1150	794	1584
YXR1717-27	2640	2070	1150	804	1584
YXR1717-28	2850	2160	1200	812	1650
YXR1717-29	3300	2160	1200	834	1650

ITEM NO.	WT (KG)	SIZE (MM)			
		A	B	B1	G
YXR1717-30	3540	2160	1200	834	1650
YXR1717-31	3780	2430	1350	880	1850
YXR1717-32	4050	2430	1350	914	1850
YXR1717-33	4320	2520	1400	917	1926
YXR1717-34	4590	2520	1400	931	1926
YXR1717-35	4890	2520	1400	954	1926
YXR1717-36	5250	2610	1450	964	2000
YXR1717-37	5610	2610	1450	981	2000
YXR1717-38	5800	2700	1500	1006	2060
YXR1717-39	6000	2700	1500	1006	2060
YXR1717-40	6450	2700	1500	1023	2060
YXR1717-41	6900	2790	1550	1034	2138
YXR1717-42	7350	2790	1550	1062	2138
YXR1717-43	7800	2790	1550	1091	2138
YXR1717-44	8000	2790	1550	1091	2138
YXR1717-45	8300	3060	1700	1125	2332
YXR1717-46	8700	3060	1700	1166	2332
YXR1717-47	9300	3060	1700	1188	2332
YXR1717-48	9900	3060	1700	1188	2332
YXR1717-49	10500	3186	1770	1197	2440
YXR1717-50	11100	3186	1770	1212	2440
YXR1717-51	11700	3186	1770	1237	2440
YXR1717-52	12300	3438	1910	1260	2632
YXR1717-53	12900	3438	1910	1260	2632
YXR1717-54	13500	3438	1910	1316	2632
YXR1717-55	14700	3690	2050	1369	2824
YXR1717-56	16900	3942	2120	1415	2922
YXR1717-57	18800	3942	2190	1461	3018
YXR1717-58	20000	3942	2190	1493	3018



TYPE A,B,C HALL ANCHOR

ITEM NO.	NOMINAL WEIGHT (KG)	SIZE (MM)							
		H			H	H1	L	L1	B1
		TYPE A	TYPE B	TYPE C					
YXR1718-01	40	557	557	430	303	67	430	303	198
YXR1718-02	60	637	637	492	347	76	492	347	227
YXR1718-03	100	760	760	590	410	90	584	410	227
YXR1718-04	125	814	814	629	443	97	629	443	290
YXR1718-05	150	866	866	665	470	103	760	470	308
YXR1718-06	180	919	919	718	500	109	710	500	327
YXR1718-07	240	1019	1019	788	552	120	790	552	361
YXR1718-08	300	1095	1095	850	595	130	844	595	388
YXR1718-09	360	1160	1160	898	630	138	898	630	412
YXR1718-10	420	1160	1160	946	660	145	946	660	434
YXR1718-11	480	1222	1222	986	690	152	988	690	454
YXR1718-12	570	1355	1355	1042	732	161	1042	732	481
YXR1718-13	660	1356	1356	1093	769	169	1096	769	506
YXR1718-14	780	1506	1506	1170	813	178	1160	813	535
YXR1718-15	900	1580	1580	1215	855	188	1220	855	560
YXR1718-16	1020	1645	1645	1268	855	188	1220	855	560
YXR1718-17	1140	1705	1705	1316	926	203	1319	926	605
YXR1718-18	1290	1778	1778	1378	891	195	1268	891	584
YXR1718-19	1440	1844	1844	1448	965	203	13791	965	630
YXR1718-20	1590	1906	1906	1511	1035	226	1475	1035	677
YXR1718-21	1740	1966	1966	1571	1068	234	1517	1068	698
YXR1718-22	1920	2031	2031	1602	1104	241	1568	1104	722
YXR1718-23	2100	2093	2093	1651	1120	245	1560	1120	732
YXR1718-24	2280	2150	2150	1716	1165	225	1657	1165	763
YXR1718-25	2460	2207	2207	1785	1194	262	1700	1194	784
YXR1718-26	2640	2259	2259	1843	1222	265	1730	1222	796
YXR1718-27	2850	2318	2318	1890	1253	275	1787	1253	822
YXR1718-28	3060	2374	2374	1935	1283	282	1832	1283	841
YXR1718-29	3300	2432	2432	1985	1317	288	1880	1317	862
YXR1718-30	3540	2490	2490	2032	1349	295	1926	1394	883
YXR1718-31	3780	2547	2547	2077	1376	302	1965	1376	902
YXR1718-32	4050	2610	2610	2125	1406	309	2008	1406	924
YXR1718-33	4320	2695	2695	2171	1435	316	2051	1435	943
YXR1718-34	4590	2712	2712	2216	1465	332	2093	1465	962
YXR1718-35	4890	2769	2769	2263	1498	329	2135	1498	984
YXR1718-36	5000	2800	2800	2317	1510	332	2156	1510	992
YXR1718-37	5610	2899	2899	2369	1569	345	2234	1569	1031



TYPE A HALL ANCHOR

YXR1718



TYPE B HALL ANCHOR

YXR1718

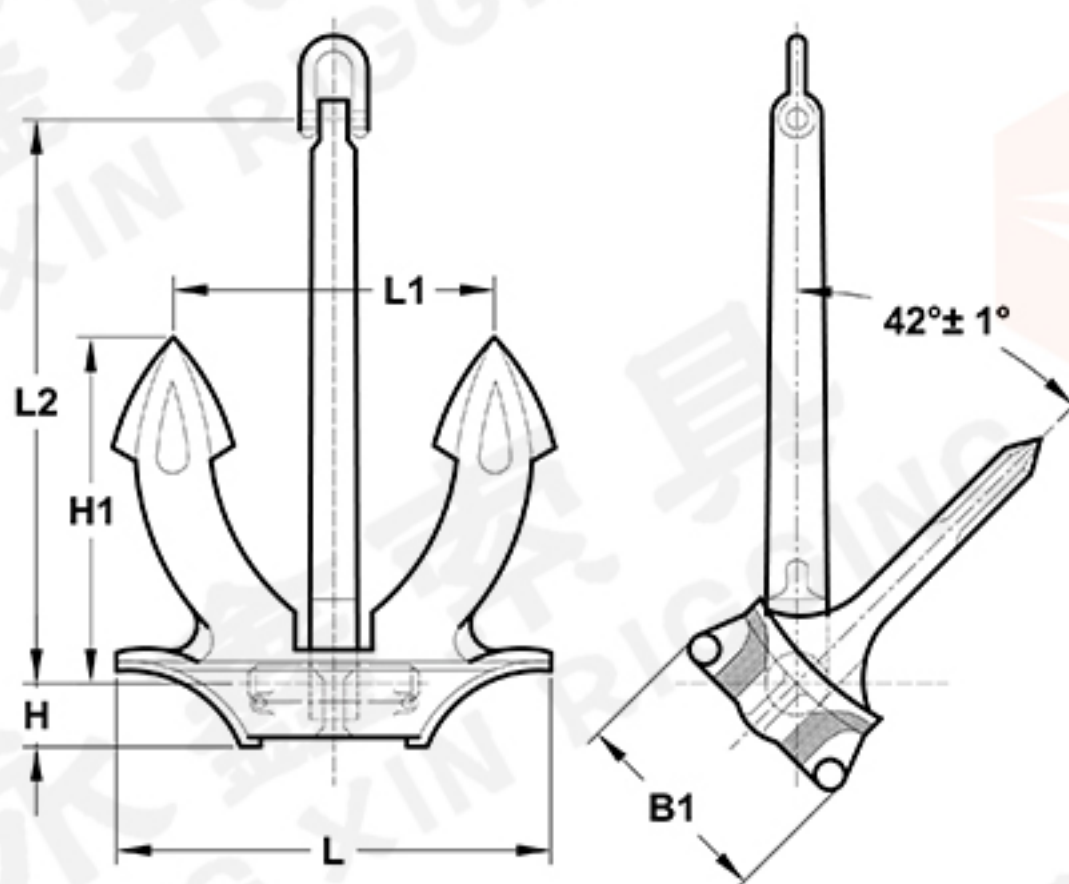


TYPE C HALL ANCHOR

YXR1718

TYPE A,B,C HALL ANCHOR

ITEM NO.	NOMINAL WEIGHT (KG)	SIZE (MM)							
		H			H	H1	L	L1	B1
		TYPE A	TYPE B	TYPE C					
YXR1718-38	6000	2965	2965	2422	1605	352	2284	1605	1054
YXR1718-39	6450	3037	3037	2482	1644	361	2340	1644	1080
YXR1718-40	6900	3100	3100	2538	1681	369	2393	1681	1105
YXR1718-41	7350	3100	3100	2592	1688	370	2400	1688	1109
YXR1718-42	7800	3235	3235	2644	1752	385	2493	1752	1152
YXR1718-43	8300	3363	3363	2699	1788	393	2545	1788	1176
YXR1718-44	8700	3355	3355	2742	1816	399	2585	1816	1195
YXR1718-45	9300	3430	3430	2804	1850	417	2632	1850	1226
YXR1718-46	9900	3502	3502	2863	1896	417	2699	1896	1248
YXR1718-47	10500	3571	3571	2920	1934	425	2752	1934	1273
YXR1718-48	11100	3638	3638	2975	1970	433	2803	1970	1297
YXR1718-49	11700	3702	3702	3028	2005	441	2853	2005	1320
YXR1718-50	12300	3764	3764	3079	2039	448	2901	2039	1342
YXR1718-51	12900	3824	3824	3128	2072	455	2947	2072	1363
YXR1718-52	13500	3882	3882	3176	2104	462	2992	2104	1384
YXR1718-53	14100	3939	3939	3222	2135	469	3036	2135	1404
YXR1718-54	14700	3994	3994	3267	2165	476	3078	2165	1424
YXR1718-55	15400	4056	4056	2199	2199	483	3126	2199	1446
YXR1718-56	16100	4117	4117	3368	2232	490	3173	2232	1468
YXR1718-57	16900	4184	4184	3423	2268	498	3225	2268	1492
YXR1718-58	17800	4252	4252	3479	2308	506	3281	2308	1518
YXR1718-59	18800	4330	4330	3543	2350	516	3341	2350	1546
YXR1718-60	20000	4420	4420	3617	2399	526	3411	2399	1578
YXR1718-61	21500	4528	4528	3705	2458	539	3494	2458	1617
YXR1718-62	23000	4631	4631	3789	2514	551	3573	2514	1654
YXR1718-63	24500	4730	4730	3870	2568	563	3649	2568	1689
YXR1718-64	26000	4825	4825	3947	2619	574	3722	2619	1723
YXR1718-65	27500	4916	4916	4021	2668	585	3792	2668	1756
YXR1718-66	29000	5004	5004	4093	2716	595	3860	2716	1787
YXR1718-67	31000	5126	5126	4188	2774	609	3949	2774	1822
YXR1718-68	33000	5234	5234	4276	2833	622	4032	2833	1860
YXR1718-69	35500	5363	5363	4381	2903	637	4132	2903	1906
YXR1718-70	38500	5510	5510	4502	2982	655	4245	2982	1958
YXR1718-71	42000	5672	5672	4634	3070	674	4370	3070	2015
YXR1718-72	46000	5847	5847	4777	3165	695	4505	3165	2078

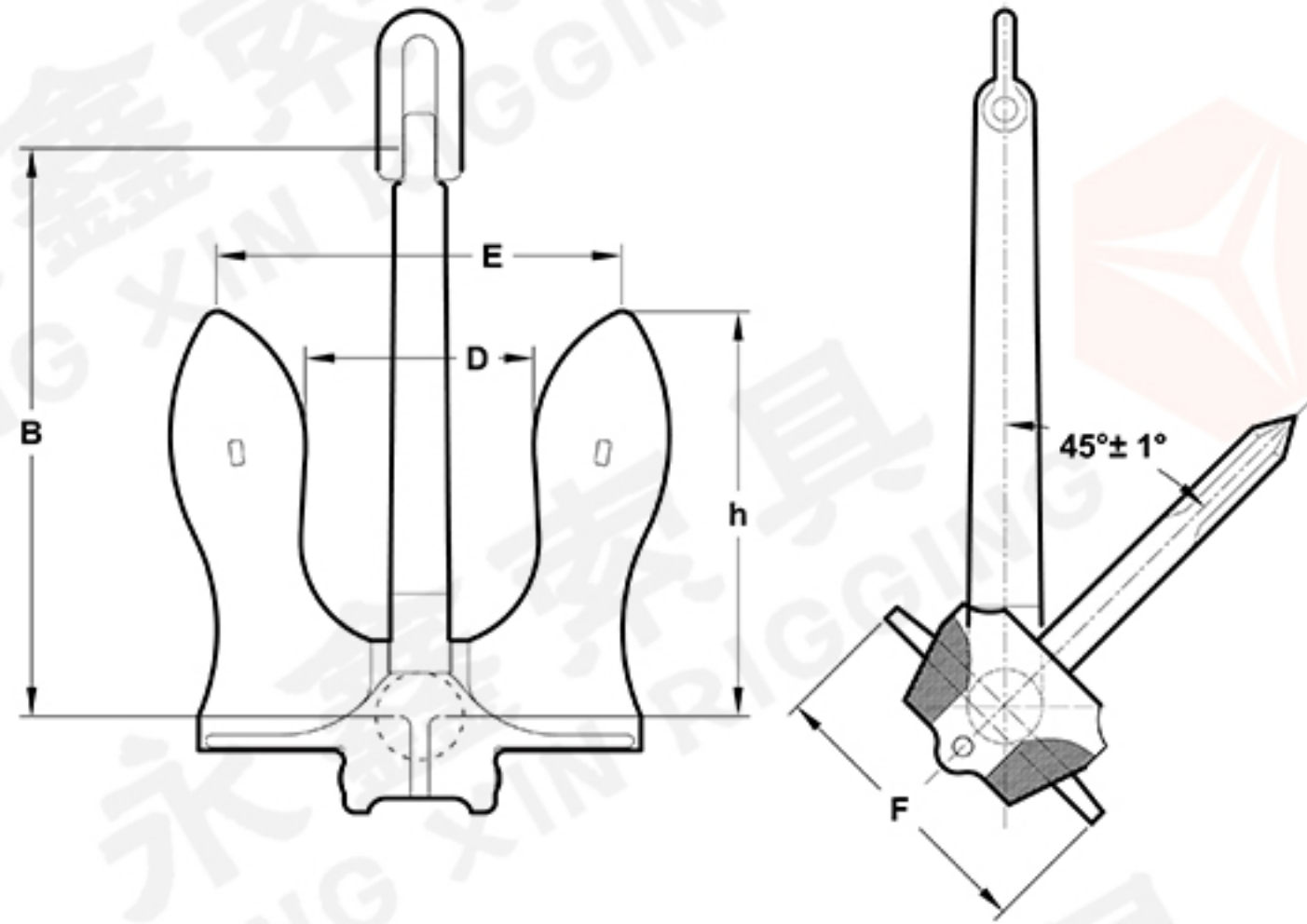


YXR1719

JAPAN STOCKLESS ANCHOR

ITEM NO.	WT (KG)	SIZE (MM)					
		L	L1	L2	H	H1	B1
YXR1719-01	180	650	459	910	111	480	280
YXR1719-02	240	720	510	1010	122	530	310
YXR1719-03	300	770	540	1080	131	570	331
YXR1719-04	360	820	580	1150	139	610	353
YXR1719-05	420	860	610	1200	146	640	370
YXR1719-06	480	900	640	1260	153	670	387
YXR1719-07	570	950	670	1330	162	700	408
YXR1719-08	660	1000	710	1440	170	740	430
YXR1719-09	780	1060	750	1480	180	780	456
YXR1719-10	900	1110	780	1550	189	820	477
YXR1719-11	1020	1160	820	1620	197	860	500
YXR1719-12	1140	1200	850	1680	204	890	520
YXR1719-13	1290	1250	880	1750	212	920	540
YXR1719-14	1440	1300	920	1820	221	960	560
YXR1719-15	1590	1340	950	1880	228	990	580
YXR1719-16	1740	1380	980	1930	235	1020	600
YXR1719-17	1920	1430	1010	2000	243	1060	620
YXR1719-18	2100	1470	1040	2060	250	1090	640
YXR1719-19	2280	1510	1070	2110	257	1120	650
YXR1719-20	2460	1550	1100	2170	264	1150	670
YXR1719-21	2640	1590	1120	2230	270	1180	690
YXR1719-22	2850	1630	1150	2280	277	1210	700
YXR1719-23	3060	1670	1180	2340	284	1240	720
YXR1719-24	3300	1710	1210	2390	291	1270	740
YXR1719-25	3540	1750	1240	2450	298	1290	750
YXR1719-26	3780	1790	1260	2510	304	1320	770
YXR1719-27	4050	1830	1290	2560	311	1350	790
YXR1719-28	4320	1870	1320	2620	318	1380	800
YXR1719-29	4590	1910	1350	2670	325	1410	820
YXR1719-30	4890	1950	1380	2730	332	1440	840
YXR1719-31	5250	2000	1410	2800	340	1480	860
YXR1719-32	5610	2040	1440	2860	347	1510	880
YXR1719-33	6000	2090	1480	2930	355	1540	900

ITEM NO.	WT (KG)	SIZE (MM)					
		L	L1	L2	H	H1	B1
YXR1719-34	6450	2140	1510	3000	364	1580	920
YXR1719-35	6900	2190	1550	3070	372	1620	940
YXR1719-36	7350	2240	1600	3140	380	1660	960
YXR1719-37	7800	2280	1610	3190	388	1680	980
YXR1719-38	8300	2330	1650	3260	396	1720	1000
YXR1719-39	8700	2380	1670	3320	403	1750	1020
YXR1719-40	9300	2420	1710	3390	411	1790	1040
YXR1719-41	9900	2470	1740	3460	420	1820	1060
YXR1719-42	10500	2520	1800	3530	428	1880	1090
YXR1719-43	11100	2570	1800	3600	437	1880	1090
YXR1719-44	11700	2610	1855	3650	444	1945	1130
YXR1719-45	12300	2650	1855	3710	450	1945	1130
YXR1719-46	12900	2690	1885	3870	457	1975	1170
YXR1719-47	13500	2740	1885	3840	466	1975	1170
YXR1719-48	14100	2780	1960	3890	473	2050	1200
YXR1719-49	14700	2820	1990	3950	479	2080	1210
YXR1719-50	15400	2860	2020	4000	486	2110	1230
YXR1719-51	16100	2900	2050	4060	493	2140	1250
YXR1719-52	16900	2955	2080	4130	500	2180	1270
YXR1719-53	17800	3000	2120	4200	510	2210	1290
YXR1719-54	18800	3060	2160	4280	520	2260	1320
YXR1719-55	20000	3120	2200	4370	530	2300	1340
YXR1719-56	21500	3200	2260	4480	540	2360	1380
YXR1719-57	23000	3270	2310	4580	560	2410	1410
YXR1719-58	24500	3340	2360	4680	570	2460	1440
YXR1719-59	26000	3410	2410	4770	580	2520	1470
YXR1719-60	27500	3470	2450	4860	590	2560	1490
YXR1719-61	29000	3530	2490	4940	600	2660	1550
YXR1719-62	33000	3690	2610	5170	630	2720	1590
YXR1719-63	35500	3780	2670	5290	640	2790	1630
YXR1719-64	38500	3880	2740	5430	660	2860	1670
YXR1719-65	42000	4000	2820	5600	680	2950	1720
YXR1719-66	46000	4120	2910	5770	700	3040	1770



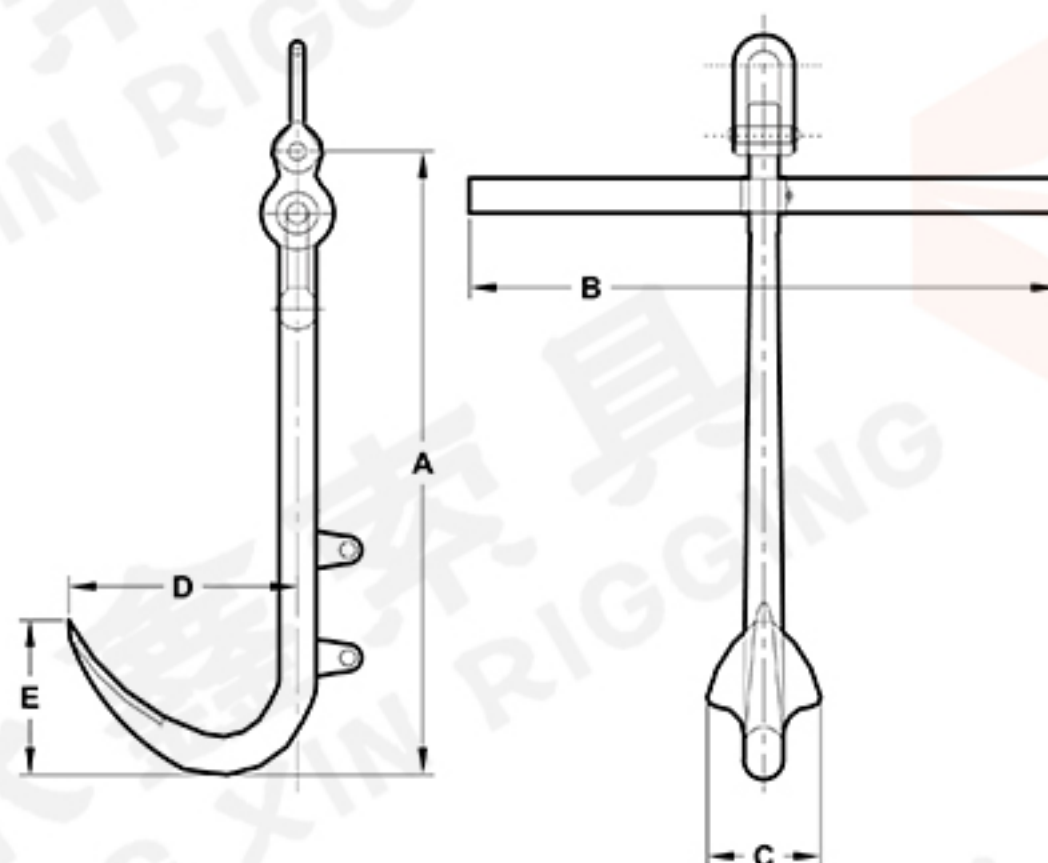
YXR1720

U.S.N (NAVY) STOCKLESS ANCHOR

ITEM NO.	NOMINAL WEIGHT (KG)	SIZE (MM)				
		B	D	E	F	H
YXR1720-01	300	727	319	562	348	510
YXR1720-02	400	800	351	619	364	570
YXR1720-03	500	863	379	666	412	614
YXR1720-04	600	914	402	708	438	652
YXR1720-05	750	984	423	763	461	687
YXR1720-06	800	1008	443	778	483	710
YXR1720-07	1000	1071	477	839	520	773
YXR1720-08	1200	1152	507	892	532	822
YXR1720-09	1300	1184	521	926	567	844
YXR1720-10	1500	1244	546	962	596	883
YXR1720-11	1800	1320	580	1021	632	941
YXR1720-12	2000	1371	601	1058	655	975
YXR1720-13	2200	1412	621	1092	676	1006
YXR1720-14	2500	1473	648	1139	706	1050
YXR1720-15	3000	1564	704	1270	775	1090
YXR1720-16	3500	1641	725	1275	790	1175
YXR1720-17	4000	1724	758	1333	826	1228
YXR1720-18	5000	1884	816	1436	889	1323
YXR1720-19	6000	1974	867	1528	947	1403
YXR1720-20	7000	2082	913	1606	996	1480
YXR1720-21	8000	2171	955	1679	1040	1547
YXR1720-22	9000	2257	993	1747	1082	1609
YXR1720-23	10000	2336	1028	1809	1120	1667
YXR1720-24	11000	2413	1062	1868	1158	1721
YXR1720-25	12000	2486	1093	1924	1193	1771
YXR1720-26	13000	2540	1122	1965	1194	1819
YXR1720-27	14500	2641	1144	2047	1270	1887
YXR1720-28	15000	2679	1177	2089	1295	1908
YXR1720-29	16000	2735	1203	2116	1311	1950
YXR1720-30	18000	2844	1251	2200	1365	2028
YXR1720-31	20000	2946	1296	2280	1412	2100
YXR1720-32	22500	3060	1345	2370	1463	2134
YXR1720-33	25000	3174	1396	2456	1521	2262
YXR1720-34	30000	3371	1483	2628	1643	2404

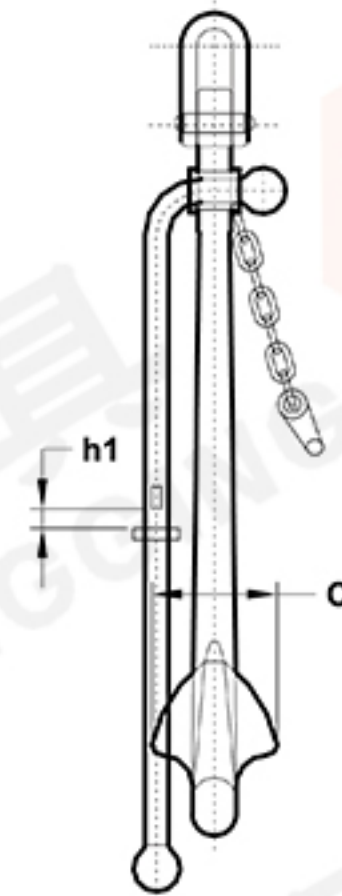
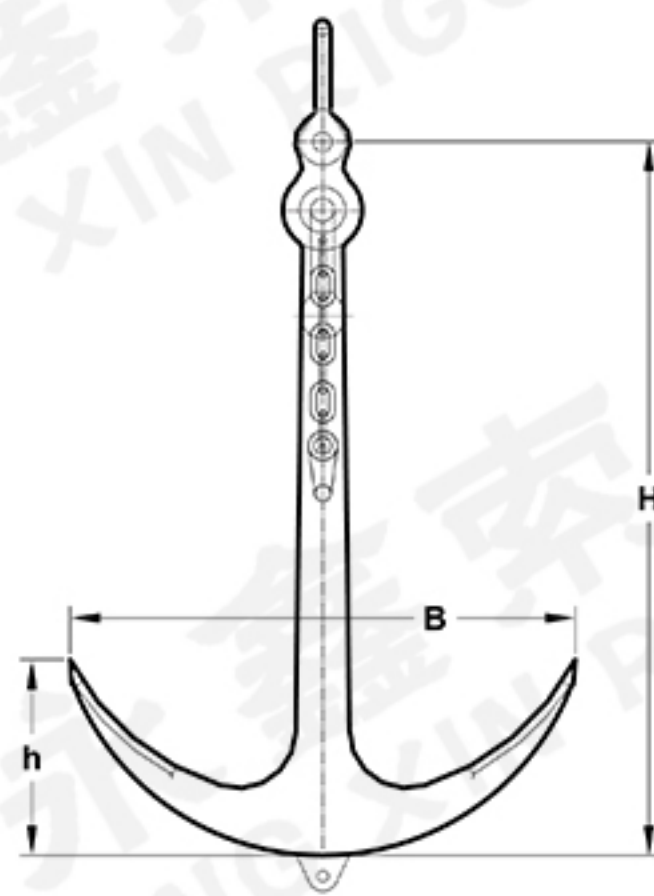


YXR1721



SINGLE FLUKE ANCHOR

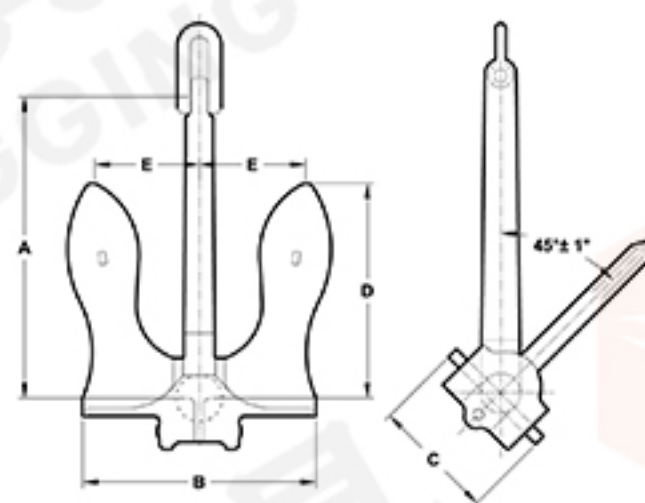
ITEM NO.	NOMINAL WEIGHT (KG)	SIZE (MM)				
		A	B	C	D	E
YXR1721-01	75	1310	1100	360	455	465
YXR1721-02	100	1445	1200	400	500	510
YXR1721-03	150	1650	1380	455	575	585
YXR1721-04	200	1820	1520	505	630	645
YXR1721-05	300	2080	1740	575	725	735
YXR1721-06	400	2290	1915	635	800	810
YXR1721-07	500	2470	2065	680	855	875
YXR1721-08	600	2620	2190	725	910	930
YXR1721-09	800	2890	2415	800	1000	1020
YXR1721-10	1000	3110	2600	860	1080	1100
YXR1721-11	1250	3350	2800	925	1165	1185
YXR1721-12	1500	3560	2980	985	1235	1260
YXR1721-13	1750	3750	3135	1035	1300	1325
YXR1721-14	2000	3920	3275	1085	1360	1385
YXR1721-15	3000	4485	3750	1240	1555	1585
YXR1721-16	4000	4940	4125	1360	1710	1745
YXR1721-17	5000	5320	4440	1472	1845	1880
YXR1721-18	6000	5650	4720	1560	1960	1995
YXR1721-19	7000	5950	4970	1645	2065	2100
YXR1721-20	8000	6220	5200	1720	2155	2200
YXR1721-21	9000	6468	5400	1790	2240	2288
YXR1721-22	10000	6700	5600	1852	2320	2154
YXR1721-23	12000	7115	5950	1968	2465	2516
YXR1721-24	15000	7670	6410	2120	2657	2710
YXR1721-25	18000	8148	6810	2253	2823	2882
YXR1721-26	20000	8400	7020	2320	2910	2970
YXR1721-27	22000	8710	7275	2410	3020	3074
YXR1721-28	25000	9080	7590	2510	3146	3212



YXR1722

GB/T545-1996 ADMIRALTY ANCHOR

ITEM NO.	NOMINAL WEIGHT (KG)	SIZE (MM)				
		H	H	H1	B	C
YXR1722-01	50	960	230	42	635	185
YXR1722-02	75	1105	266	45	710	210
YXR1722-03	100	1215	293	49	780	230
YXR1722-04	125	1310	316	52	840	245
YXR1722-05	150	1395	336	55	900	265
YXR1722-06	200	1535	370	61	990	290
YXR1722-07	250	1650	398	65	1065	310
YXR1722-08	300	1755	423	70	1105	330
YXR1722-09	400	1930	465	77	1240	365
YXR1722-10	500	2080	502	84	1335	390
YXR1722-11	600	2210	533	89	1440	415
YXR1722-12	700	2330	560	93	1500	440
YXR1722-13	800	2435	587	97	1570	460
YXR1722-14	900	2530	610	101	1630	475
YXR1722-15	1000	2620	633	104	1685	495
YXR1722-16	1250	2825	680	112	1810	535
YXR1722-17	1500	3000	725	118	1955	565
YXR1722-18	2000	3300	797	131	2140	625
YXR1722-19	2500	3550	857	138	2270	672
YXR1722-20	3000	3780	912	150	2415	715
YXR1722-21	3500	3980	960	158	2540	750
YXR1722-22	4000	4160	1000	155	2650	785
YXR1722-23	5000	4480	1100	184	2830	800
YXR1722-24	6000	4740	1113	190	3000	838
YXR1722-25	7000	5025	1180	200	3165	960
YXR1722-26	8000	5240	1280	210	3300	980
YXR1722-27	9000	5450	1330	220	3440	990
YXR1722-28	10000	5680	1340	230	3600	1085



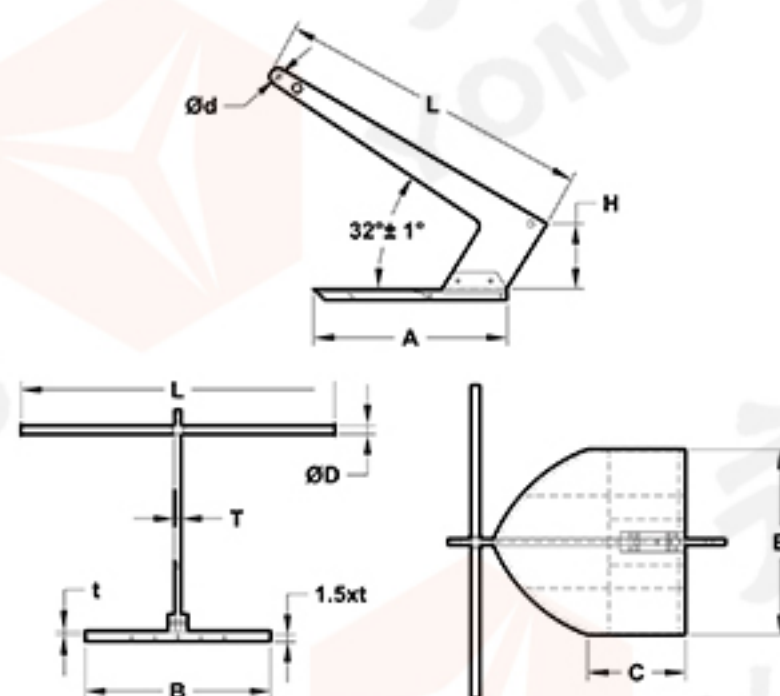
BELDT STOCKLESS ANCHOR YXR1723

ITEM NO.	WT (KG)	SIZE (MM)				
		A	B	C	D	E
YXR1723-01	160	634	404	219	336	175
YXR1723-02	200	685	457	241	366	191
YXR1723-03	250	749	524	269	404	210
YXR1723-04	300	812	590	296	442	230
YXR1723-05	400	812	654	330	482	250
YXR1723-06	500	900	673	356	530	288
YXR1723-07	750	965	770	407	584	308
YXR1723-08	1000	1067	854	457	640	348
YXR1723-09	1250	1165	923	475	720	370
YXR1723-10	1500	1232	1005	515	748	392
YXR1723-11	2000	1370	1092	558	848	430
YXR1723-12	2100	1370	1092	558	848	436
YXR1723-13	2500	1473	1136	568	848	448
YXR1723-14	3000	1625	1194	648	912	483
YXR1723-15	3500	1625	1340	698	1003	500
YXR1723-16	4000	1734	1354	705	1054	518
YXR1723-17	4500	1794	1440	735	1066	563
YXR1723-18	5000	1930	1460	762	1130	588
YXR1723-19	6000	1930	1613	844	1194	642
YXR1723-20	6300	1930	1613	844	1194	642

ITEM NO.	WT (KG)	SIZE (MM)				
		A	B	C	D	E
YXR1723-21	7000	2082	1691	882	1263	668
YXR1723-22	8000	2265	1691	894	1276	668
YXR1723-23	9000	2438	1784	924	1314	695
YXR1723-24	9500	2438	1851	957	1392	710
YXR1723-25	10000	2438	1918	990	1470	725
YXR1723-26	11000	2438	1950	1016	1473	778
YXR1723-27	12000	2438	1950	1016	1473	778
YXR1723-28	13000	2489	1949	1016	1473	799
YXR1723-29	14000	2616	2045	1118	1524	818
YXR1723-30	15000	2616	2184	1168	1600	875
YXR1723-31	16000	2738	2184	1168	1651	875
YXR1723-32	17200	2738	2184	1222	1660	875
YXR1723-33	18000	2850	2240	1232	1667	888
YXR1723-34	20000	2840	2440	1270	1866	990
YXR1723-35	25000	3048	2616	1365	1968	990
YXR1723-36	30000	3251	2794	1454	2096	1052
YXR1723-37	35000	3429	2946	1524	2210	1107
YXR1723-38	40000	3556	3073	1600	2311	1157
YXR1723-39	45000	3733	3200	1651	2388	1203
YXR1723-40	50000	3860	3327	1727	2515	1246



YXR1724



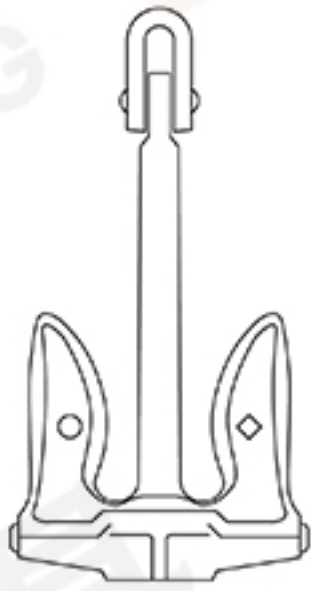
EGERSUND PLOUGH ANCHOR

ITEM NO.	WEIGHT (KG)	FLUKE				SHANK				STOCK	
		A	B	C	T	T	L	H	Ød	ØD	
YXR1724-01	300	1030	945	550	20	34	1650	393	50	50	
YXR1724-02	500	1290	1220	650	22	40	2100	440	50	50	
YXR1724-03	700	1400	1280	700	28	45	2350	492	60	60	
YXR1724-04	1000	1560	1480	780	30	50	2590	551	60	70	
YXR1724-05	1500	1760	1690	890	39	60	2865	594	60	80	
YXR1724-06	2000	1970	1840	940	40	65	3000	712	75	90	
YXR1724-07	2500	2100	1980	970	45	70	3200	765	80	95	
YXR1724-08	3000	2200	2070	1050	50	75	3355	95	85	100	

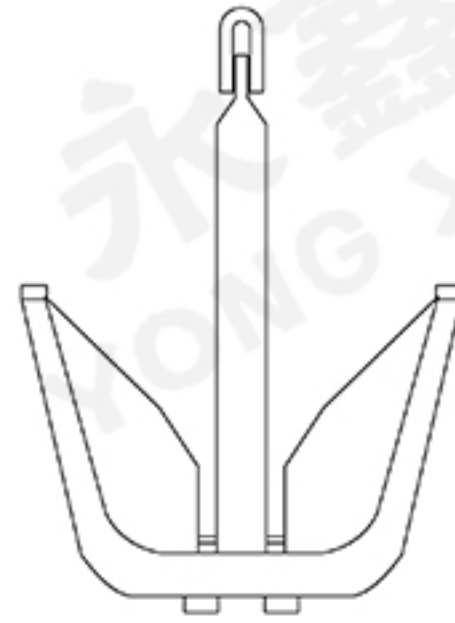
OTHER ANCHOR

If you are in need of other types not listed in our catalogue please contact our sales department.

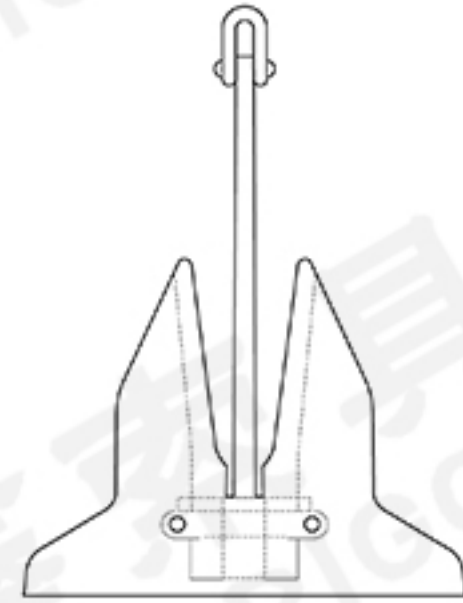
ANSALDO



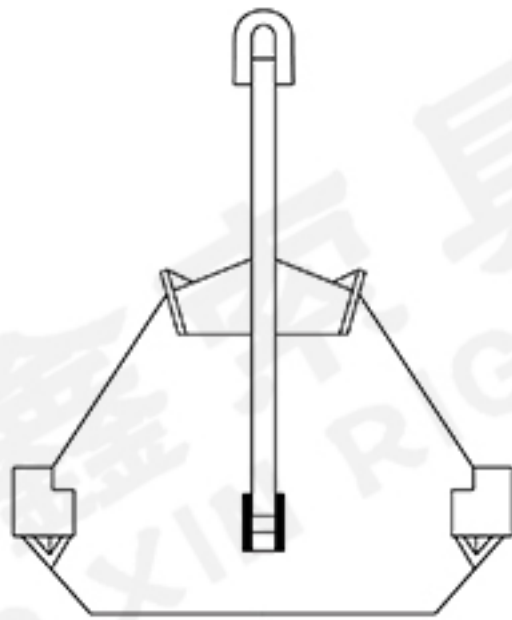
HEUSS - SPECIAL



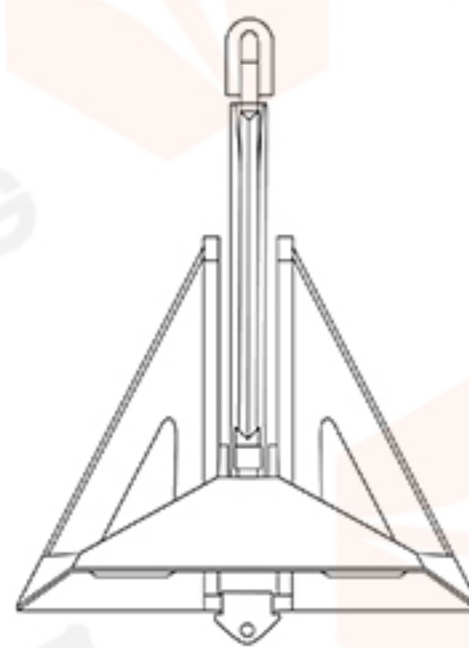
STOKES



HOOK



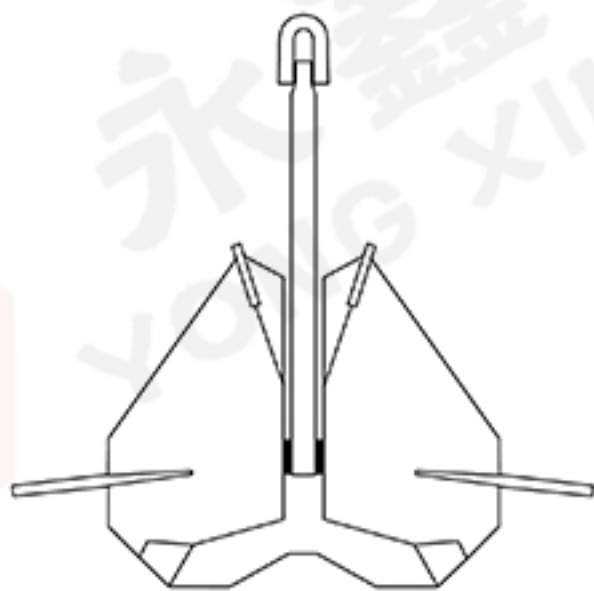
FLIPPER DELTA



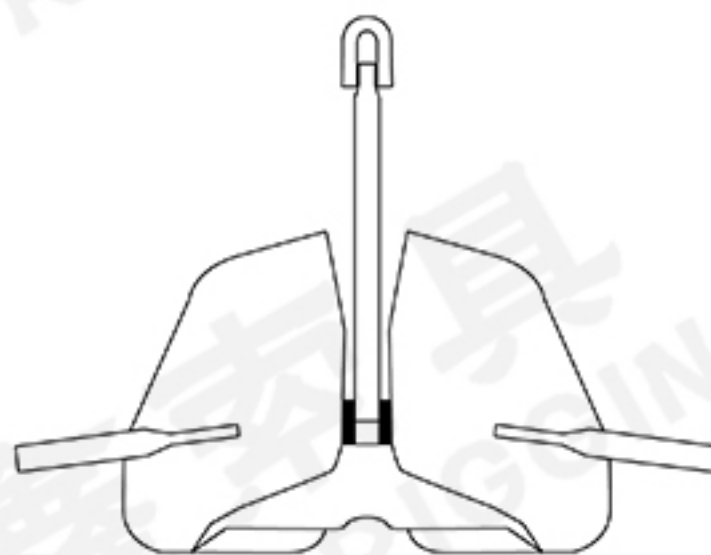
STEVIN



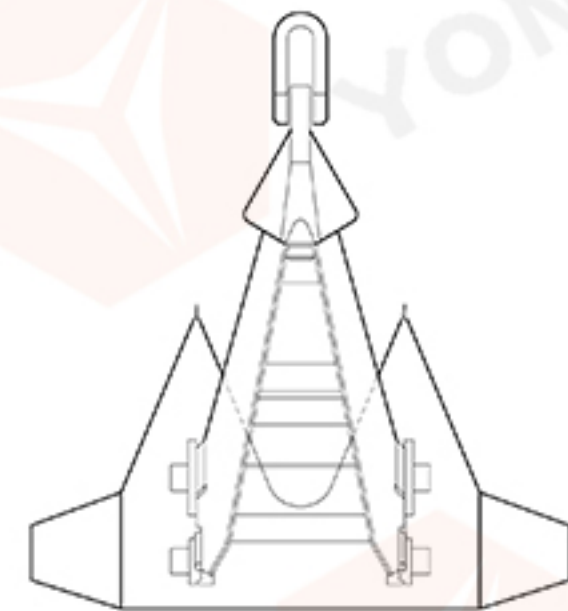
STEVFIX



STEV MUD

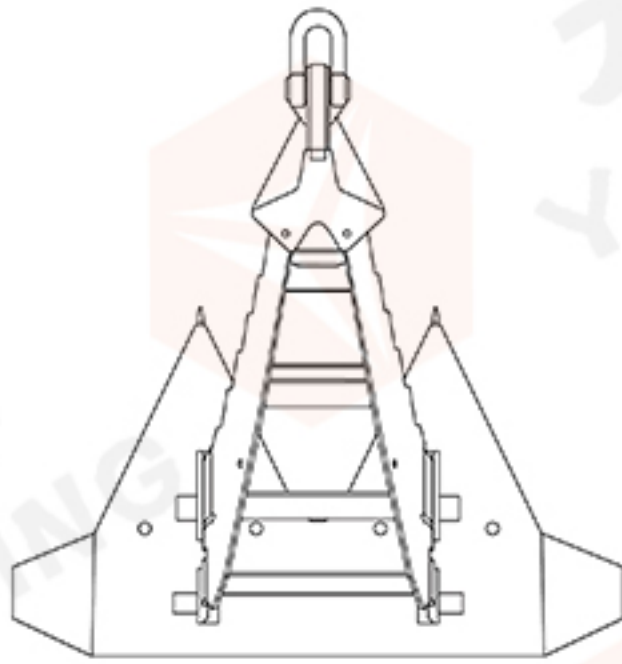


STEVPRIS

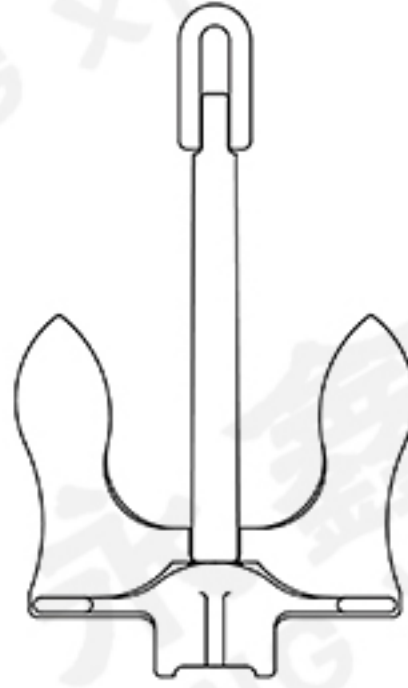


OTHER ANCHOR

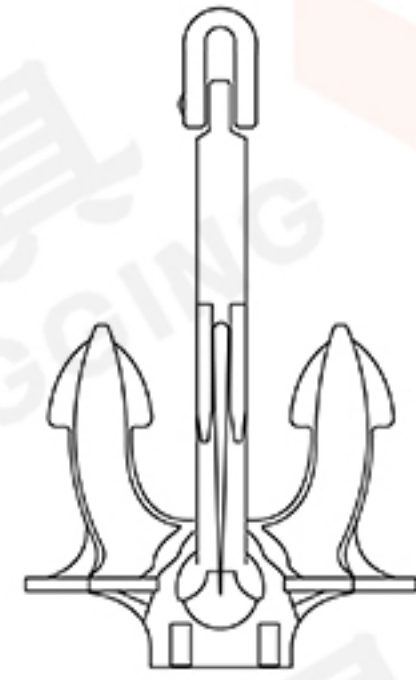
STEVSHARK



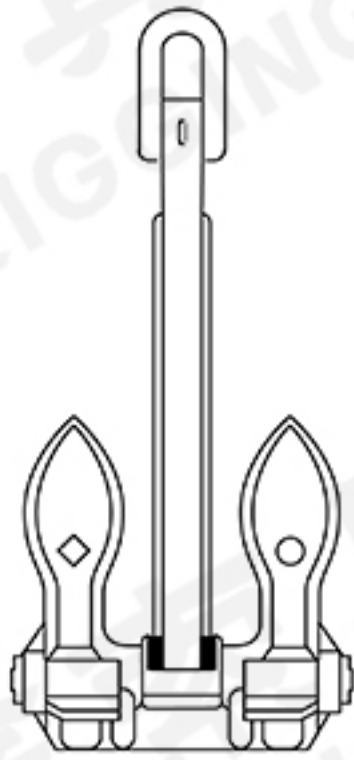
BALDT



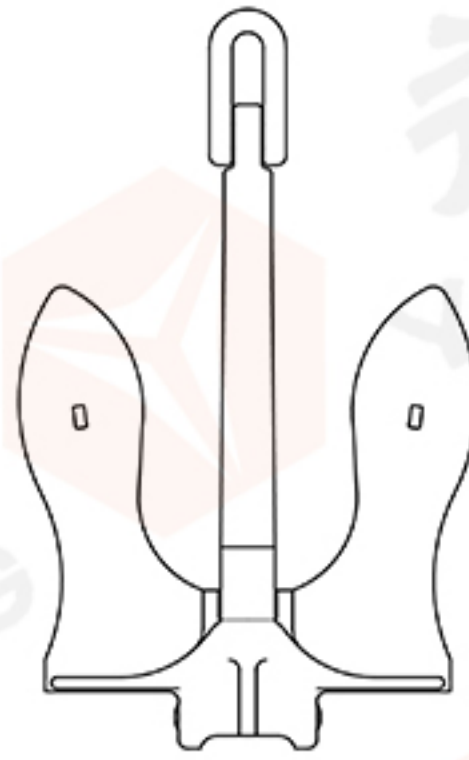
UNION



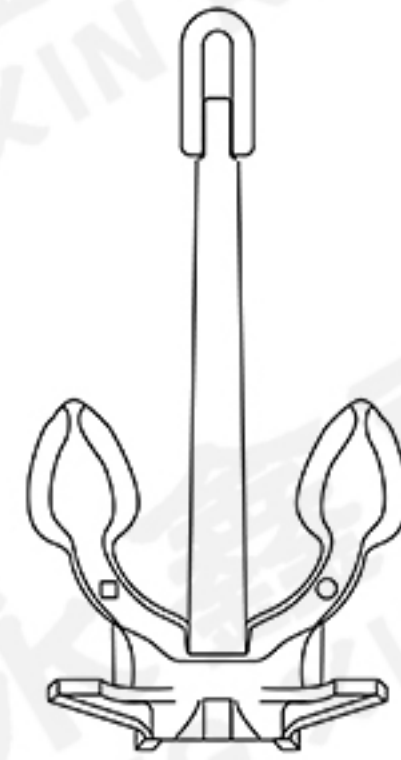
BYERS



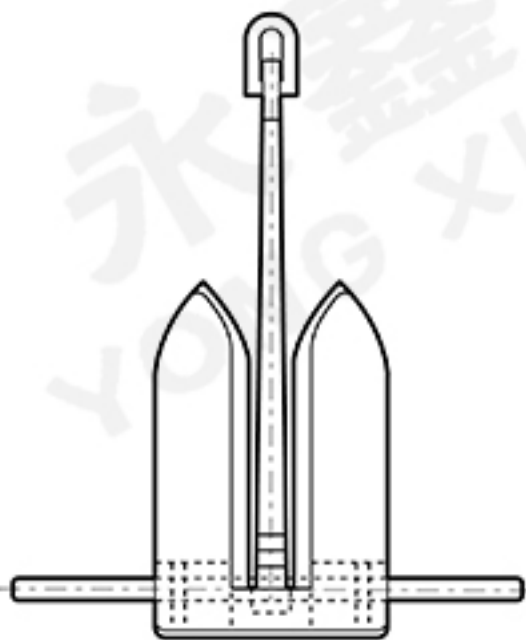
U.S. NAVY STOCKLESS



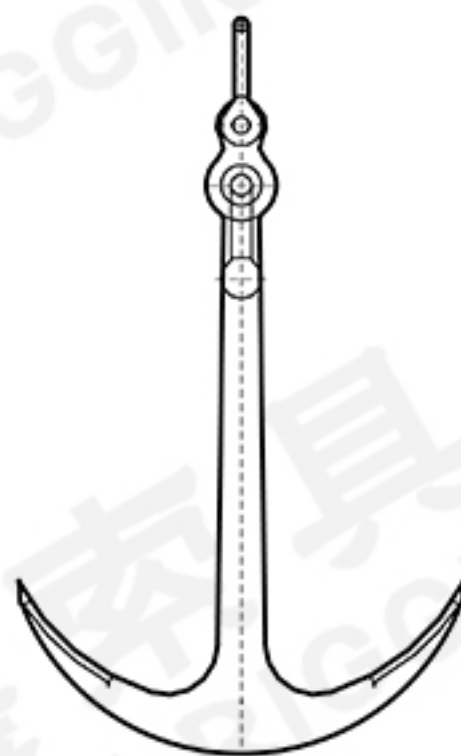
GRUSON



OFFDRILL



ADMIRALTY



MUSHROOM

