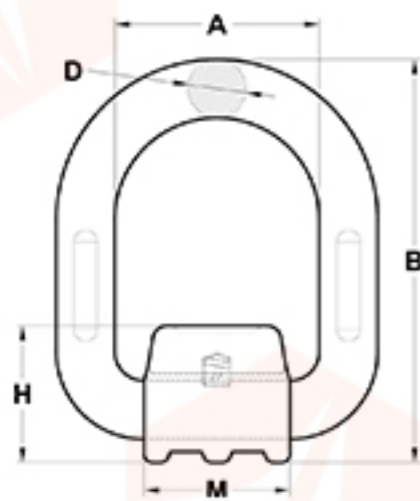


G80 WELD ON PIVOTING D LINK

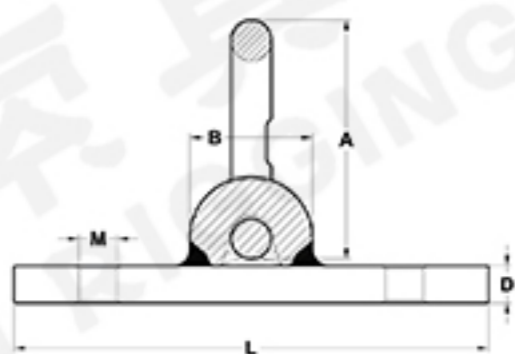


YXR1001

ITEM NO.	SIZE	WEIGHT (KG)	WLL (T)	BLL (T)	DIMENSIONS (MM)				
					A±1	B±2	D±1	M±1.2	H±0.3
YXR1001-01	1.12T	0.40	1.12	4.48	41	78.5	13	37	35
YXR1001-02	2T	0.47	2.00	8.00	42	88	14	40	37
YXR1001-02	3.15T	0.69	3.15	12.80	45	94	17	42.5	40
YXR1001-03	5.3T	1.46	5.30	21.20	55	118	22	50	52
YXR1001-04	8T	2.50	8.00	32.00	70	141	26.5	65	57
YXR1001-05	10T	3.59	10.00	40.00	85	165	28	78	63.5
YXR1001-06	15T	5.79	15.00	60.00	97	188	34	90	77
YXR1001-07	20T	15.5	20.00	80.00	150	250	46	130	98

◆ Ultimate Load at 4 Times the Working Load Limit.

G80 WELD ON PIVOTING D LINK WITH PAD

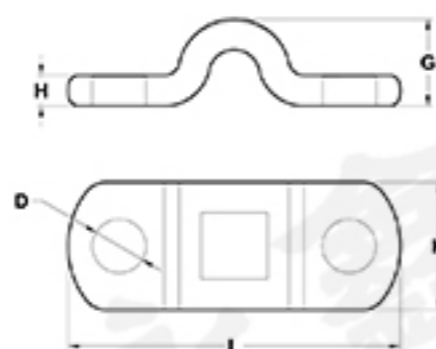


YXR1002

ITEM NO.	SIZE	WEIGHT (KG)	WLL (T)	BLL (T)	DIMENSIONS (MM)				
					A ± 0.5	B	D ± 0.5	M ± 0.2	L ± 2
YXR1002-01	1T	1.09	1	4	78	40	12	12.5	61
YXR1002-02	2T	1.24	2	8	80.5	40	14	14.5	155
YXR1002-03	3T	1.56	3	12	94	46.5	16	16.5	155
YXR1002-04	5T	2.585	5	20	118	60	20	22.5	180
YXR1002-05	8T	4.92	8	32	141	63	26	26.5	220

◆ Ultimate Load at 4 Times the Working Load Limit.

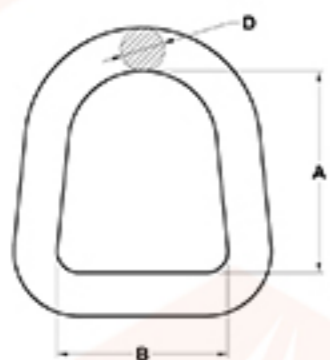
G80 FORGED LIFTING PAD



YXR1003

ITEM NO.	SIZE	WEIGHT (KG)	WLL (T)	BLL (T)	DIMENSIONS (MM)				
					H ± 0.5	G ± 1	K ± 1	D ± 0.5	L ± 2
YXR1003-01	3T	0.6	3	12	12	34	50	21	130
YXR1003-02	5T	1.15	5	20	15	42	60	25	160
YXR1003-03	8T	2.6	8	32	20	55	109	28	190

◆ Ultimate Load at 4 Times the Working Load Limit.

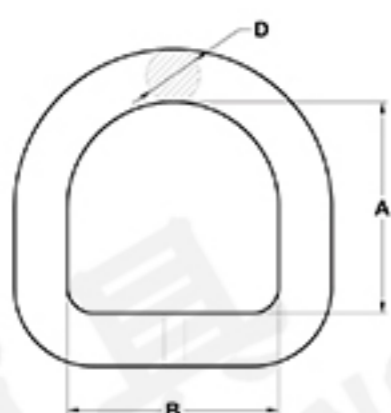


YXR1018

G80 FORGED D RING

ITEM NO.	SIZE	WEIGHT (KG)	WLL (T)	BLL (T)	DIMENSIONS (MM)		
					A ± 1.5	B ± 1.5	D ± 1
YXR1018-01	2.5T	0.3	2.5	10	65	55	14
YXR1018-02	4T	0.48	4	16	62	64	17
YXR1018-03	6.5T	0.71	6.5	26	80	72	19
YXR1018-04	8T	1.0	8.0	32	90	76	22

◆ Ultimate Load at 4 Times the Working Load Limit.



YXR1019

G80 WELDED D RING

ITEM NO.	SIZE	WEIGHT (KG)	WLL (T)	BLL (T)	DIMENSIONS (MM)		
					A ± 1.5	B ± 1.5	D ± 1
YXR1019-01	2.5T	0.3	2.5	10	65	55	14
YXR1019-02	4T	0.5	4	16	62	64	17
YXR1019-03	6.5T	0.7	6.5	26	80	72	19
YXR1019-04	8T	1.0	8.0	32	90	76	22

◆ Ultimate Load at 4 Times the Working Load Limit.