

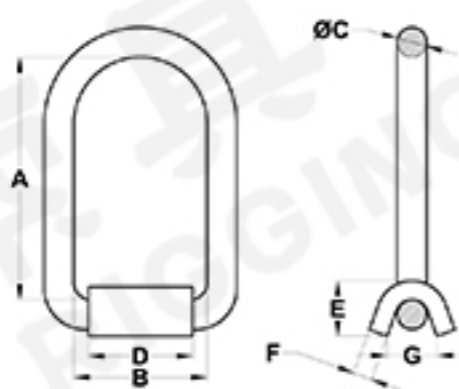
### D RING WITH SUPPORTING POINT

ITEM NO.	SIZE	MBS (T)	WEIGHT (KG)	DIMENSIONS (MM)						
				A	B	D	L	H	W	T
YXR1016-01	15T	30T	1.8	90	92	20	80	38.5	40	10

◆ Ultimate Load at 4 Times the Working Load Limit.



YXR1016



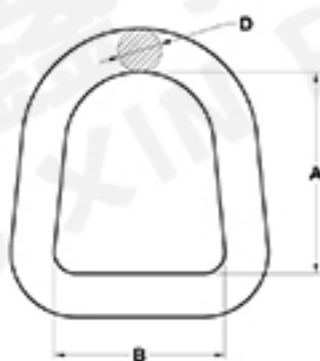
### D RING WITH STRAP, TYPE A (1/2" WLL11000LBS)

ITEM NO.	SIZE	MBS (T)	WEIGHT (LBS.)	DIMENSIONS (MM)						
				A	B	C	D	E	F	G
YXR1017-01	1/2	11000	0.53	115	65	13	45	25	8	33

◆ Ultimate Load at 4 Times the Working Load Limit.



YXR1017



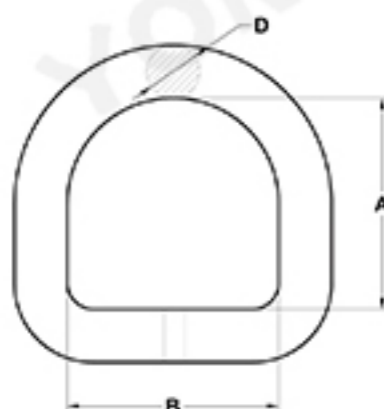
### G80 FORGED D RING

ITEM NO.	SIZE	WEIGHT (KG)	WLL (T)	BLL (T)	DIMENSIONS (MM)		
					A ± 1.5	B ± 1.5	D ± 1
YXR1018-01	2.5T	0.3	2.5	10	65	55	14
YXR1018-02	4T	0.48	4	16	62	64	17
YXR1018-03	6.5T	0.71	6.5	26	80	72	19
YXR1018-04	8T	1.0	8.0	32	90	76	22

◆ Ultimate Load at 4 Times the Working Load Limit.



YXR1018



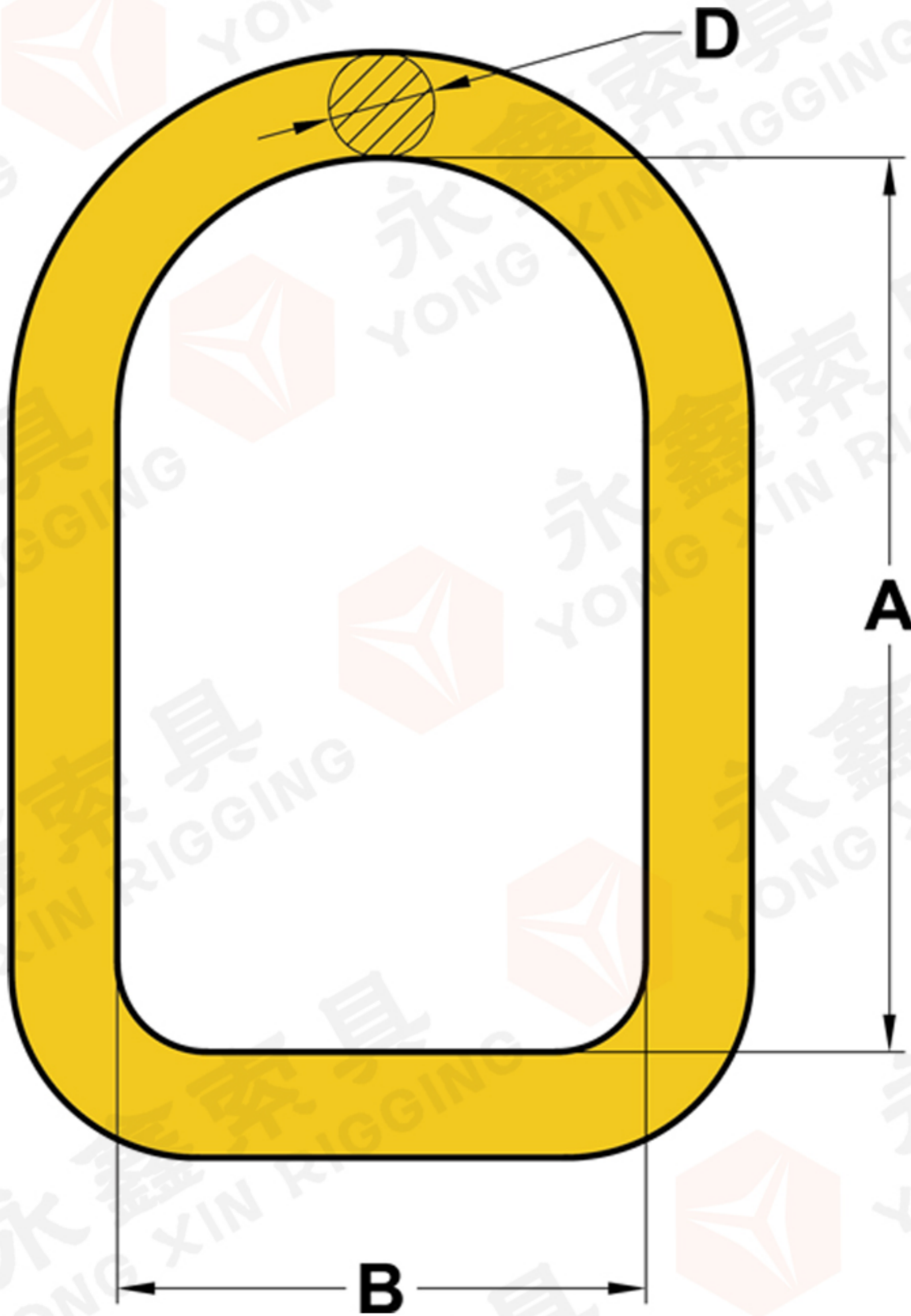
### G80 WELDED D RING

ITEM NO.	SIZE	WEIGHT (KG)	WLL (T)	BLL (T)	DIMENSIONS (MM)		
					A ± 1.5	B ± 1.5	D ± 1
YXR1019-01	2.5T	0.3	2.5	10	65	55	14
YXR1019-02	4T	0.5	4	16	62	64	17
YXR1019-03	6.5T	0.7	6.5	26	80	72	19
YXR1019-04	8T	1.0	8.0	32	90	76	22

◆ Ultimate Load at 4 Times the Working Load Limit.



YXR1019



Size	Weight Each (kg)	Working Load Limit (t)	Breaking Load Limit (t)	A ± 2	B ± 1.5	D ± 1
1T	0.37	1	4	110	65	13
2T	0.64	2	8	130	65	16
3T	0.99	3	12	140	110	18
4T	1.56	4	16	135	130	22