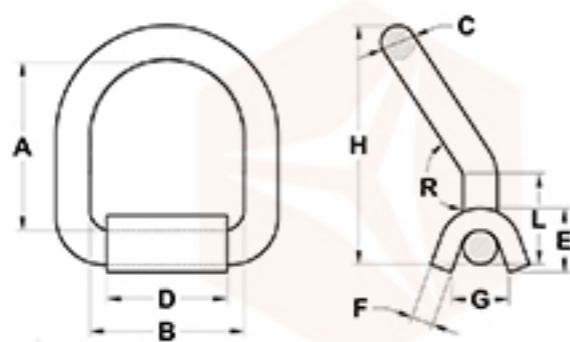


D RING WITH STRAP & BEND

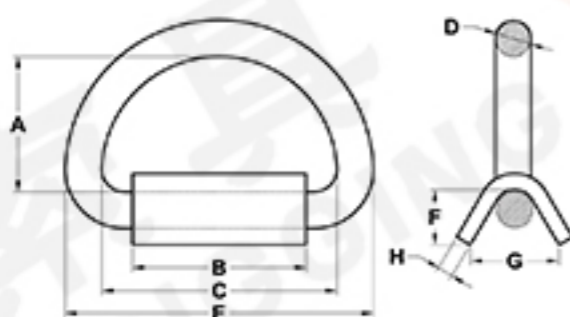


YXR1008

ITEM NO.	SIZE (IN.)	MBS (LBS.)	WEIGHT (LBS.)	DIMENSIONS (MM)									
				A	B	C	D	E	F	G	H	L	R
YXR1008-01	1/2	12000	0.94	63.5	57.1	13	45	25	8	33	89.5	45	135°
YXR1008-02	5/8	18000	1.87	75	75	16	63.5	31	9.5	37	107	55	135°
YXR1008-03	3/4	26200	2.70	75	75	19	63.5	35	9.5	40	113	55	135°
YXR1008-04	1	47000	4.21	75	75	25	63.5	41	9.5	63	125	80	135°
YXR1008-05	1	47000	4.74	100	75	25	63.5	41	9.5	63	150	80	135°

◆ Ultimate Load at 4 Times the Working Load Limit.

D RING WITH STRAP, JIS TYPE

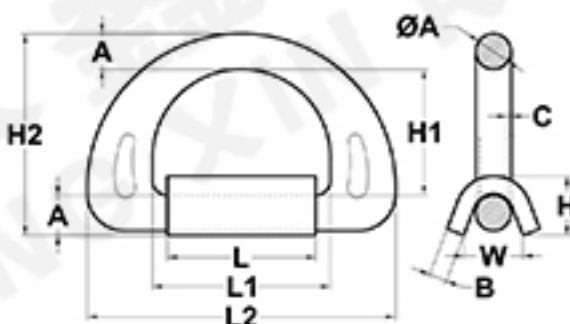


YXR1009

ITEM NO.	SIZE	WEIGHT (KG)	DIMENSIONS (MM)							
			A	B	C	D	E	F	G	H
YXR1009-01	5T	1.09	52	71	97	19	135	23	55	9.5
YXR1009-02	25T	1.54	69	83	114	20	162	28	45	9.5
YXR1009-03	36T	2.58	78	118	132	24	201	28	38	12
YXR1009-04	41T	3.7	86	126	141	25	221	34	40	14
YXR1009-05	50T	4.2	88	126	148	26	233	34	40	14

◆ Ultimate Load at 4 Times the Working Load Limit.

FORGED D RING JIS TYPE

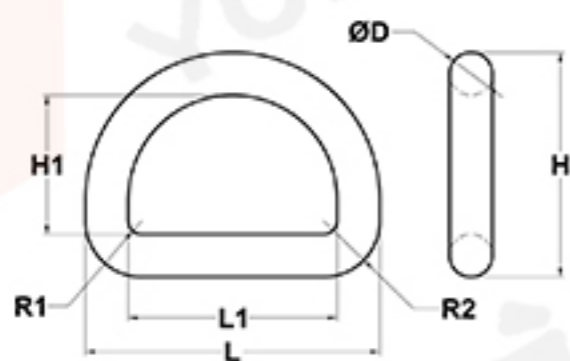


YXR1010

ITEM NO.	SIZE (IN.)	WLL (T)	WEIGHT (KG)	DIMENSIONS (MM)									
				A	C	H1	H2	L1	L2	L	B	H	W
YXR1010-01	36T	9	1.68	21	3	80	122	136	212	110	12	28	38
YXR1010-02	41T	10.3	2.3	24	3	85	133	120	208	110	14	34	40
YXR1010-03	50T	12.5	3.03	27	3	90	144	151	241	130	14	34	40

◆ Ultimate Load at 4 Times the Working Load Limit.

JIS TYPE FORGED D RING



YXR1011

ITEM NO.	SIZE (MM)	WEIGHT (KG)	DIMENSIONS (MM)						
			D	H	H1	L	L1	R1	R2
YXR1011-01	13	0.34	13	84	58	110	84	5	18
YXR1011-02	16	0.46	16	84	52	110	78	5	21
YXR1011-03	19	0.63	19	90	52	115	77	6	25

◆ Ultimate Load at 4 Times the Working Load Limit.