

RECEIVER MOUNTS



YXR1921

FORGED TOW HOOK

ITEM NO.	LENGTH (IN.)	CAPACITY (LBS.)	WEIGHT (LBS.)	SHACK
YXR1921-01	7-3/8	10000	9.02	Solid



YXR1922

TOW HOOK WITH LATCH

ITEM NO.	MAX CAPACITY (LBS.)	BREAKING STRENGTH (LBS.)	WEIGHT (LBS.)
YXR1922-01	10000	15000	1.59



YXR1923

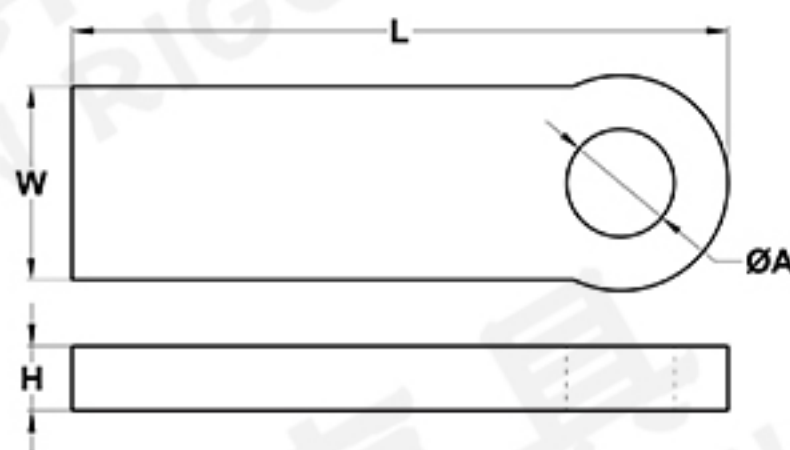
FORGED TOW EYE

ITEM NO.	LENGTH (IN.)	CAPACITY (LBS.)	WEIGHT (LBS.)	SHACK
YXR1923-01	7-3/8	10000	9.66	Solid

TOW EYE



YXR1924

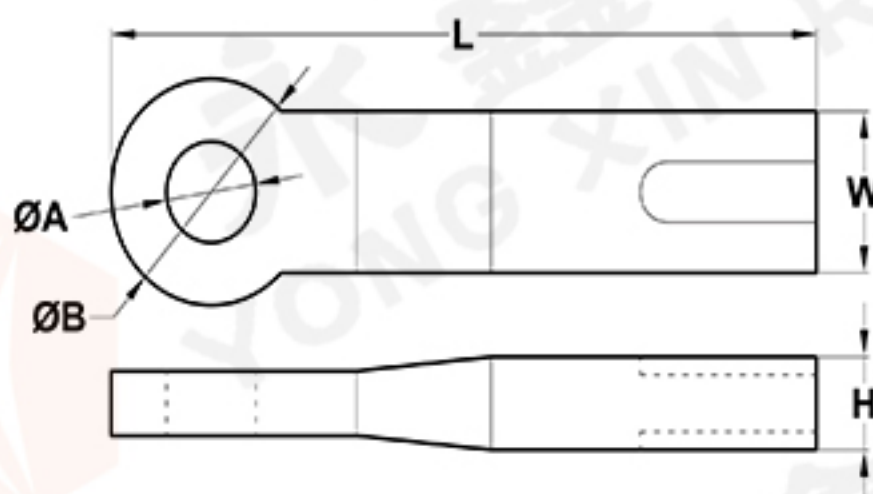


HEAVY DUTY STRAIGHT TRAILER HITCH EYE

ITEM NO.	SIZE (IN.)	HOLE A (MM)	LENGTH L (MM)	WIDTH W (MM)	DEPTH H (MM)	MATERIAL
YXR1924-01	12	50	305	90	30	En8
YXR1924-02	12	50	305	90	40	En8
YXR1924-03	12	50	305	90	40	En16



YXR1925

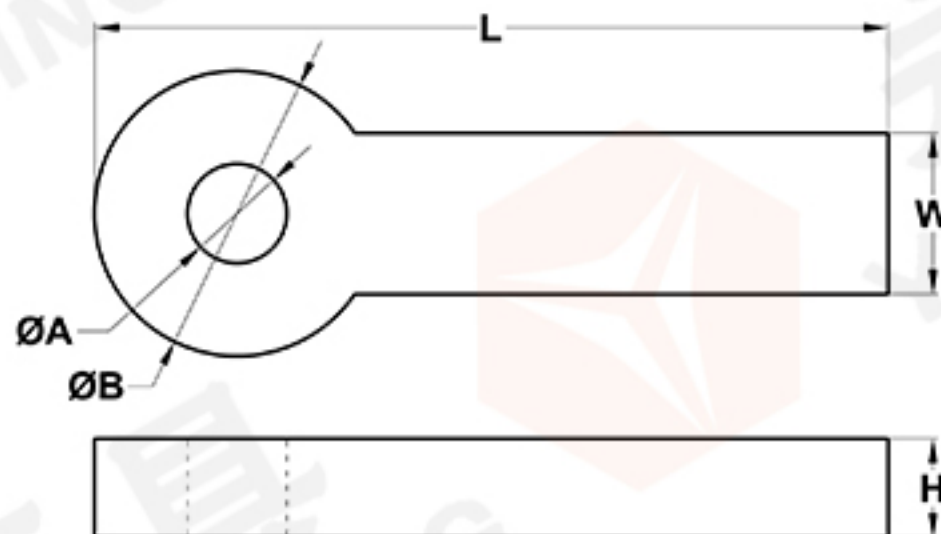


HEAVY DUTY DRAWBAR TOWING EYE

ITEM NO.	SIZE B (MM)	HOLE A (MM)	LENGTH L (MM)	WIDTH W (MM)	DEPTH H (MM)	MATERIAL
YXR1925-01	112	50	395	80	40	40CrMo



YXR1926



AGRICULTURE TOWING EYE

ITEM NO.	SIZE B (MM)	HOLE A (MM)	LENGTH L (MM)	WIDTH W (MM)	DEPTH H (MM)	MATERIAL
YXR1926-01	115	40	320	65	40	40CrMo

RECEIVER MOUNTS

