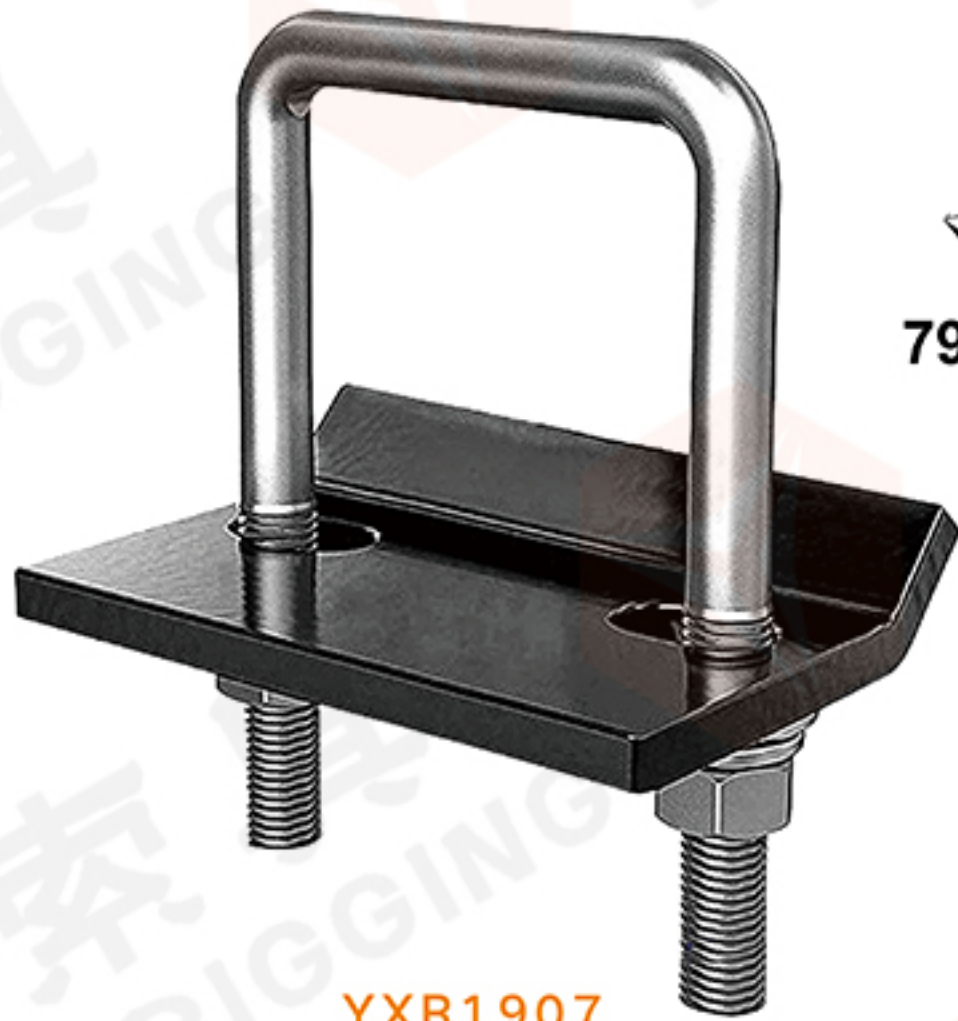
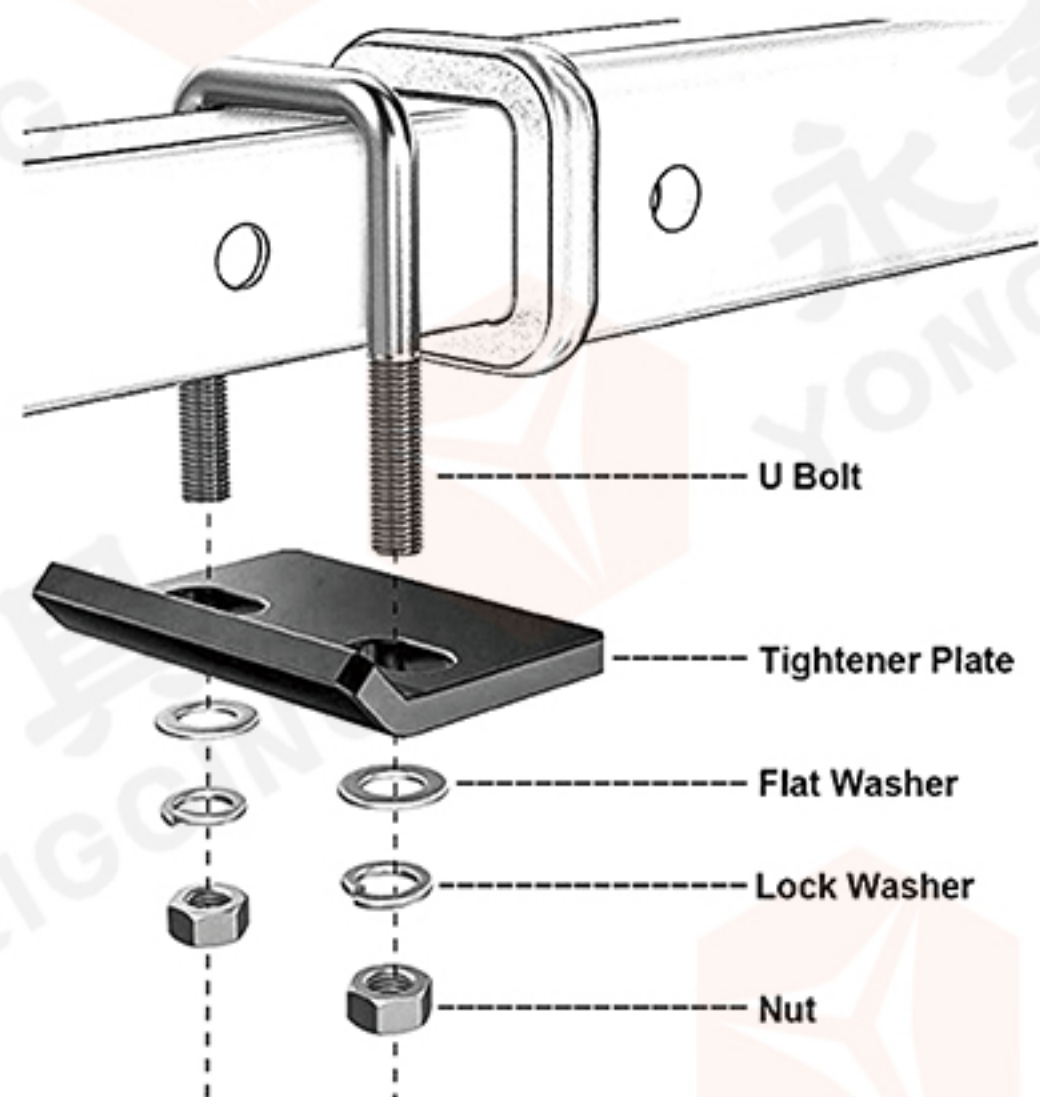
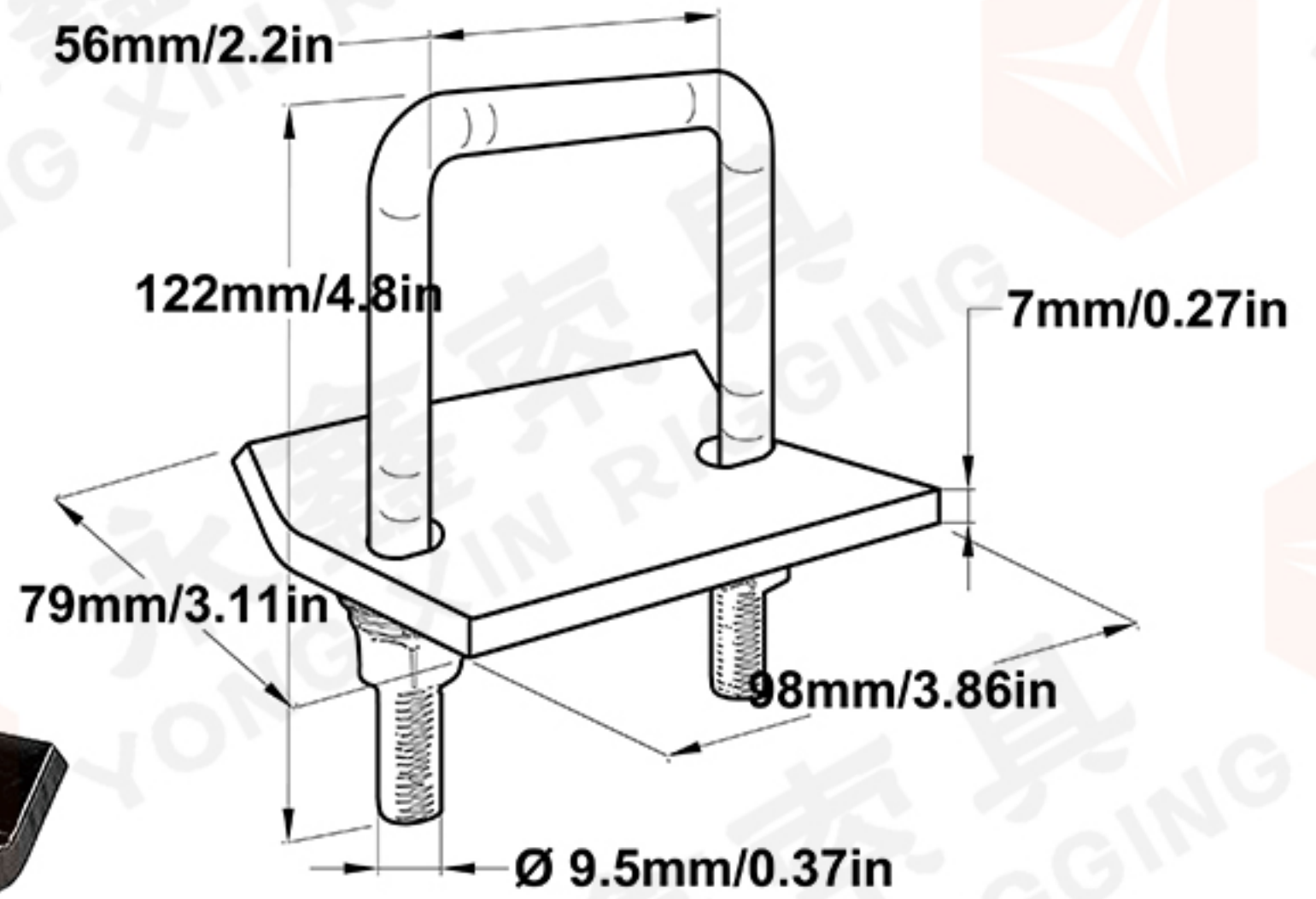


## HITCH TIGHTENER

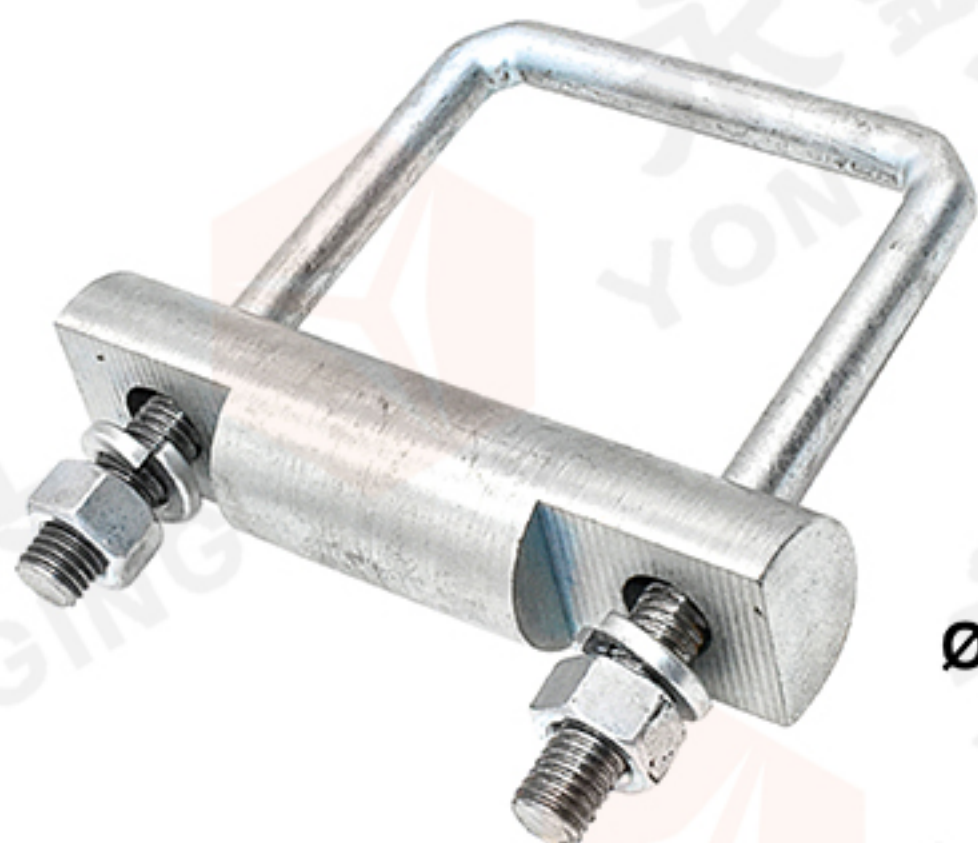
- ◆ Process: Stamping
- ◆ Material: Carbon Steel
- ◆ Surface: U Bolt is Zinc Plating. Plate is Powder Coated
- ◆ Size: Suit for 1-1/4" to 2" Hitch Extender
- ◆ Package: Bubble Bag+Box+Carton+Pallet



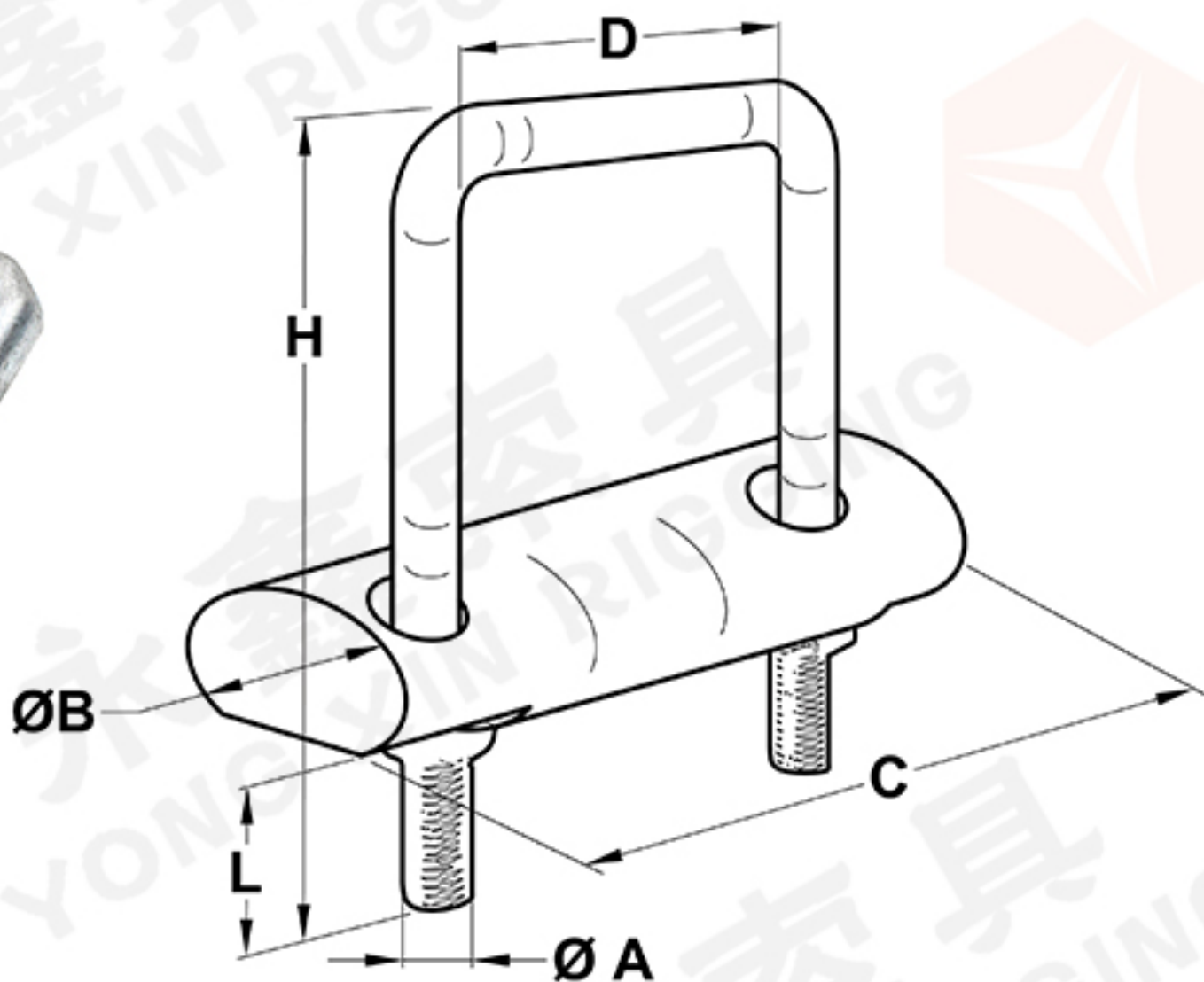
YXR1907



HITCH TIGHTENER



YXR1908



ITEM NO.	DIMENSIONS (IN.)					
	A	B	C	D	H	L*
YXR1908-01	0.5	1.3	5	3	3.5	2
YXR1908-02	0.5	1.3	5.5	3.5	5.1	2

- ◆ \*\*\* Effective Tread Length
- ◆ Process: Stamping
- ◆ Material: Carbon Steel
- ◆ Surface: Electrogalvanizing
- ◆ Size: Suit for 2' to 2-1/2' Hitch Extender
- ◆ Package: Bubble Bag+Box+Carton+Pallet