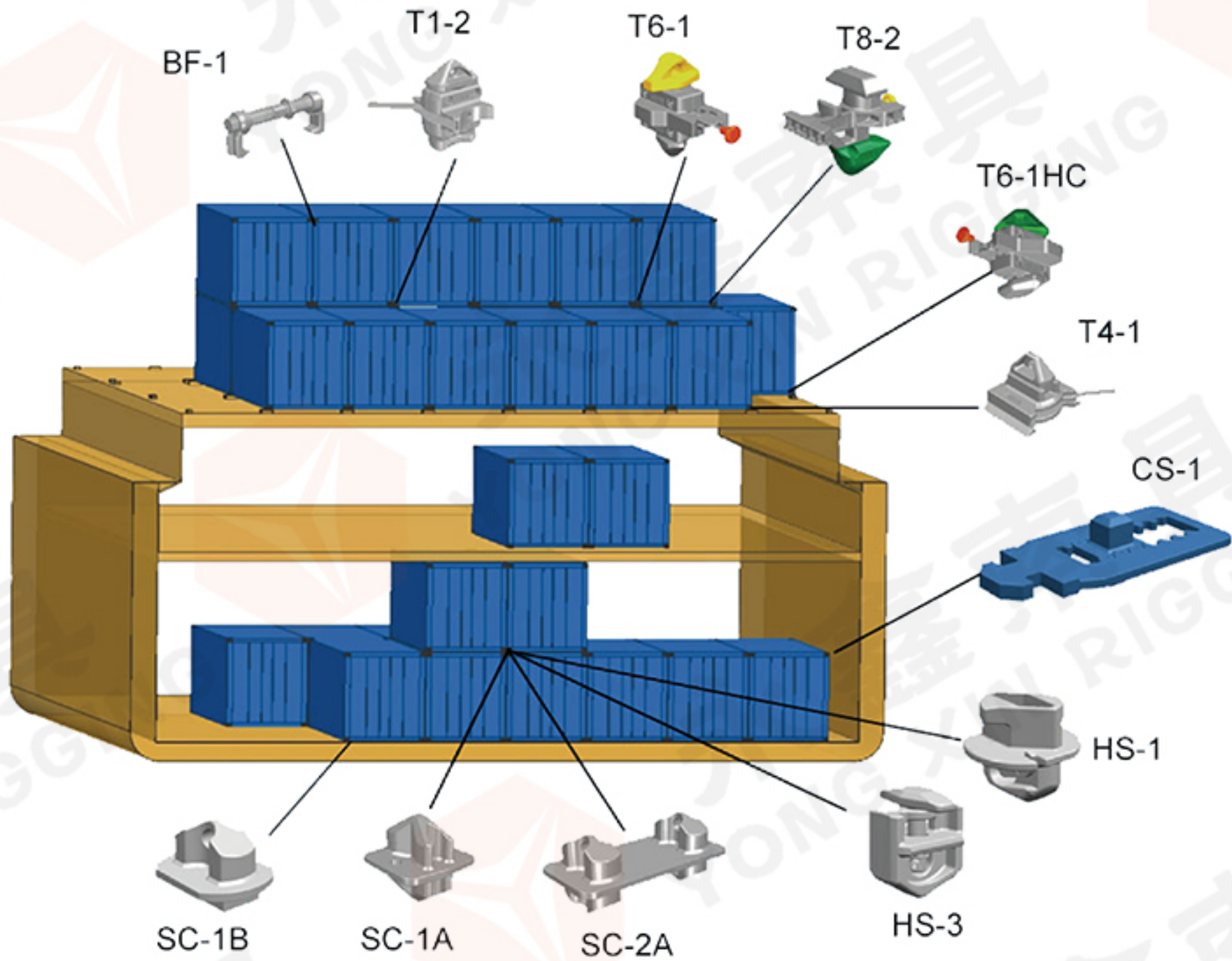


ILLUSTRATION FOR CONTAINER SECURING EQUIPMENT

Loose Fittings



Fixed Fittings

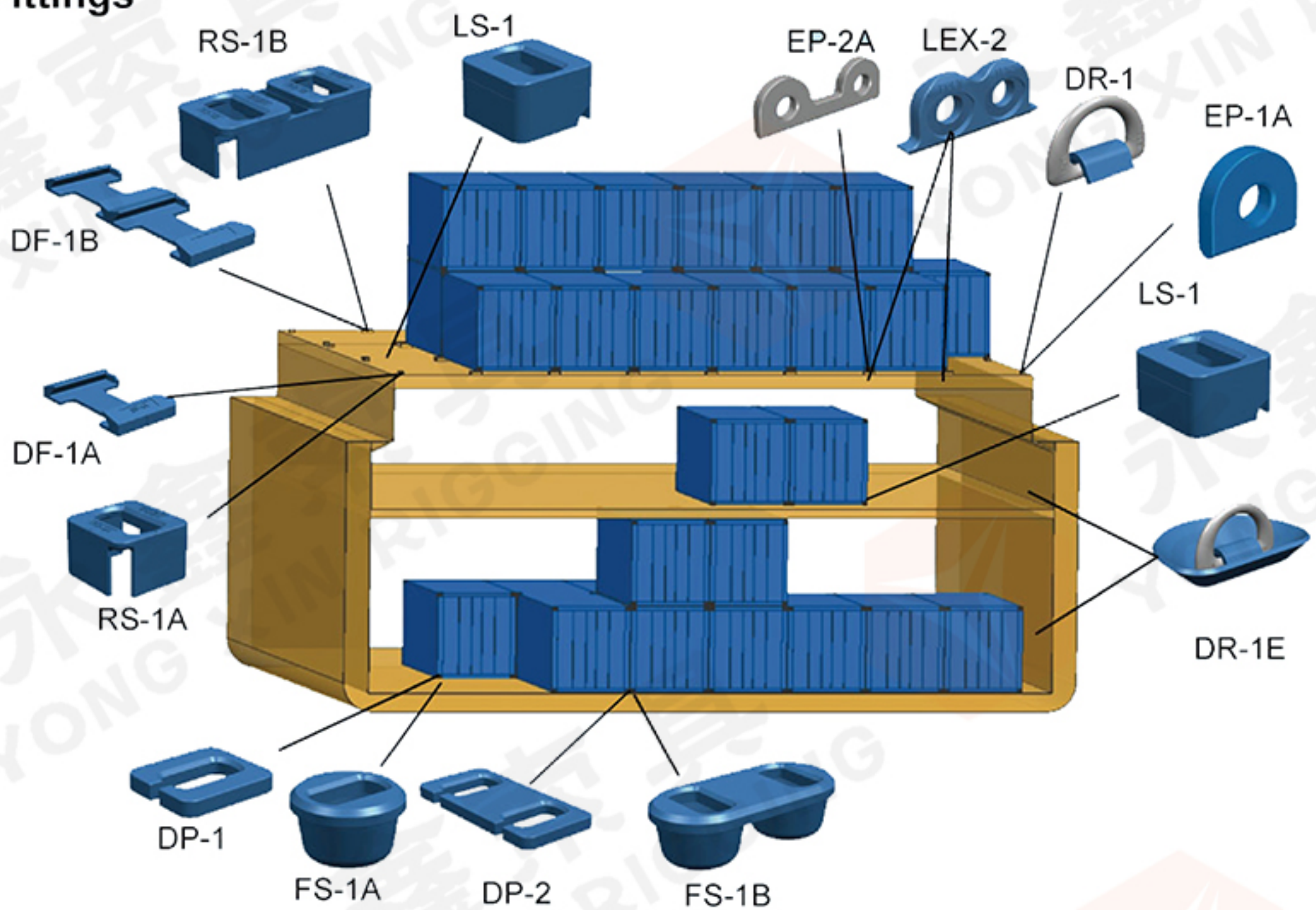
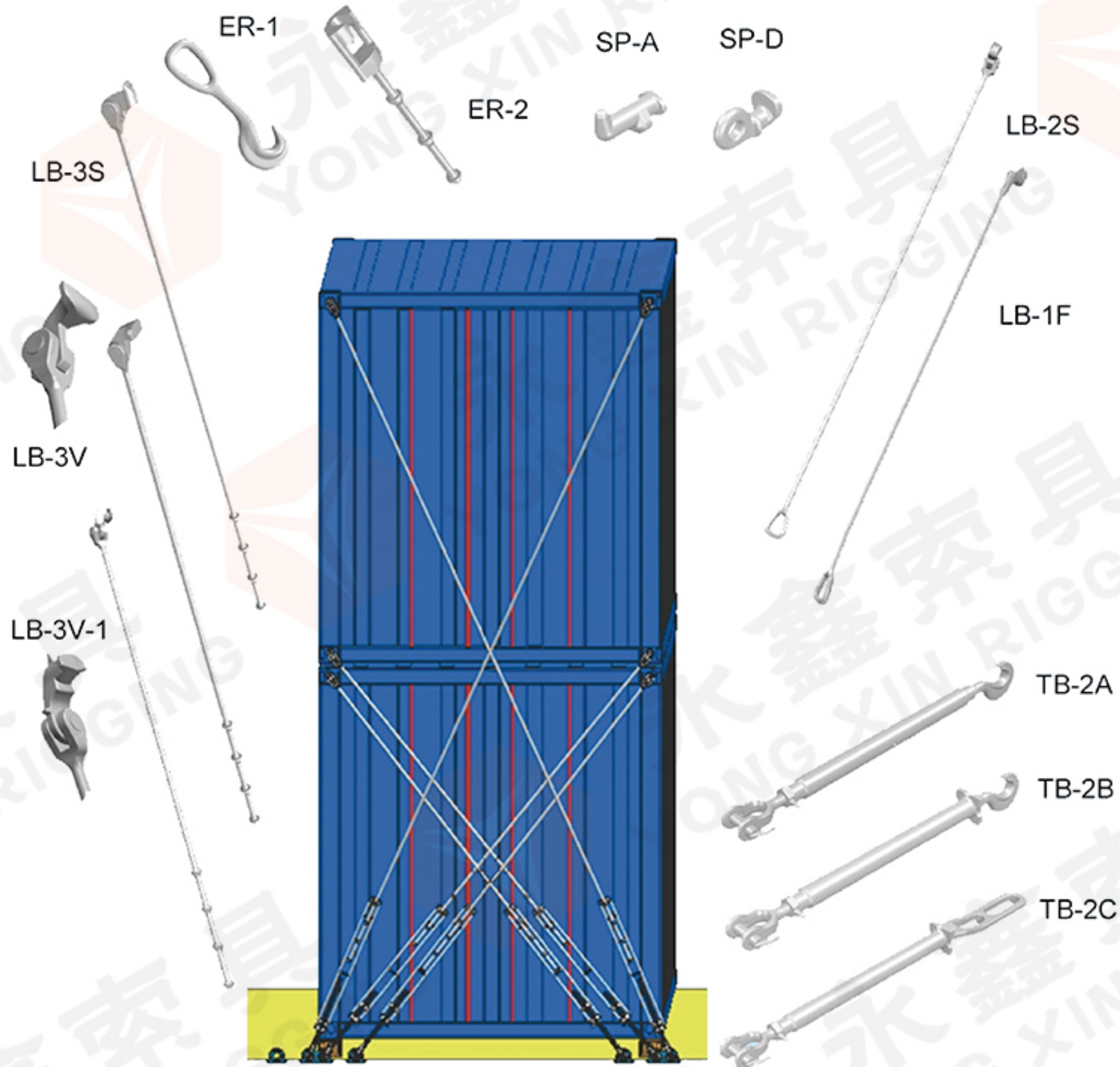


ILLUSTRATION FOR CONTAINER SECURING EQUIPMENT



TB-1A



TB-1B



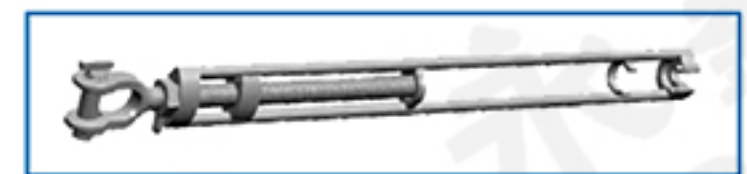
TB-1C



TB-2B



TB-2C



TB-3



LB-2S



LB-3S



LB-3V



TB-E-65/TB-E-55



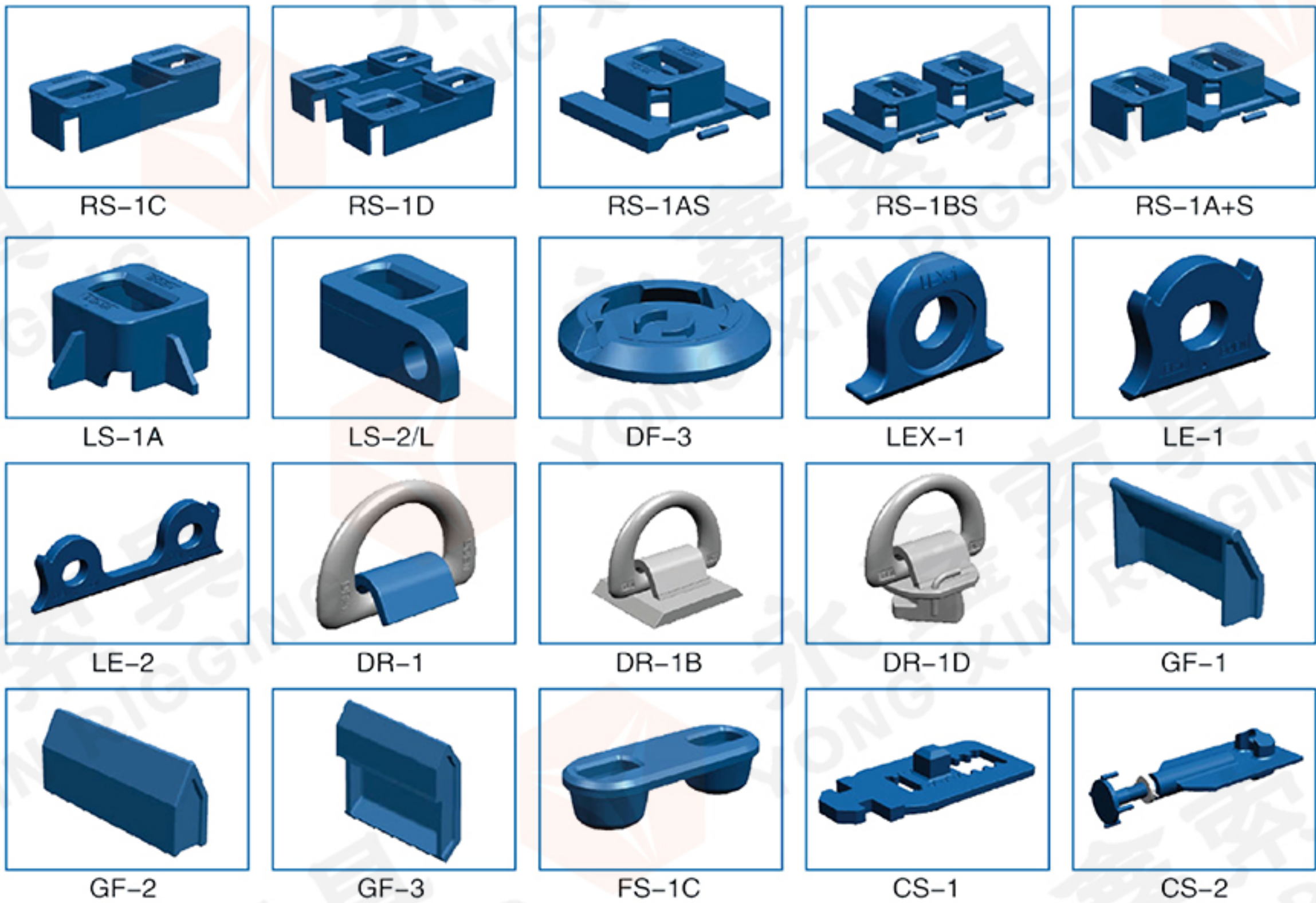
LB-2F-2



ER-1

ILLUSTRATION FOR CONTAINER SECURING EQUIPMENT

FIXED FITTING



RoRo-equipment

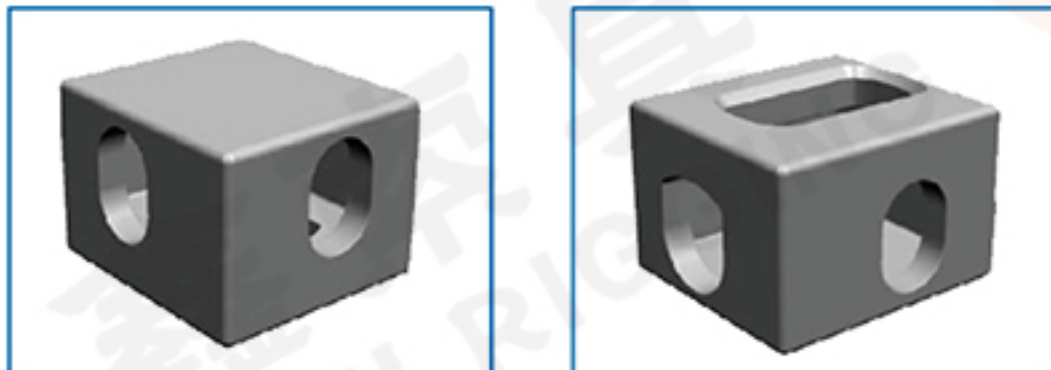


ILLUSTRATION FOR CONTAINER SECURING EQUIPMENT

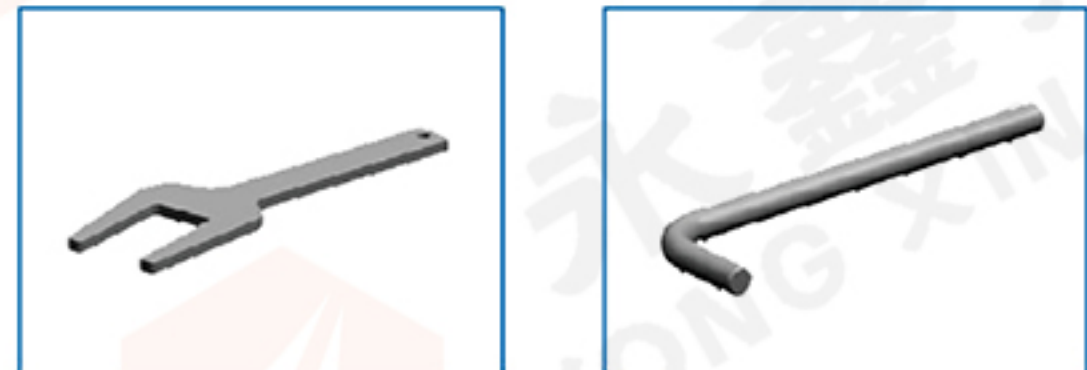


Tool accessories

Container corner casting/TR,RL, BR,BL



Operating wrench/bar



Operating rods



AP-1



Emergency

AP-2



AP-3



ET-1

Flatracks and storage bins



SB-1



FL-20'



FL-40'

ILLUSTRATION FOR CONTAINER SECURING EQUIPMENT

Loose fittings

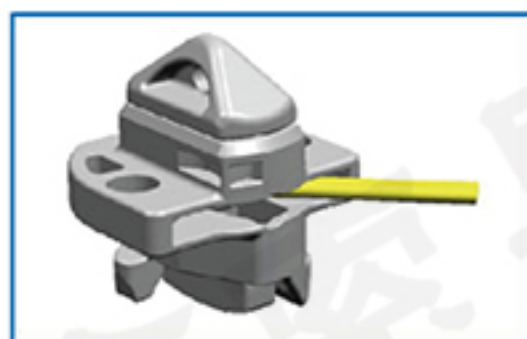
Twistlock



T1-2



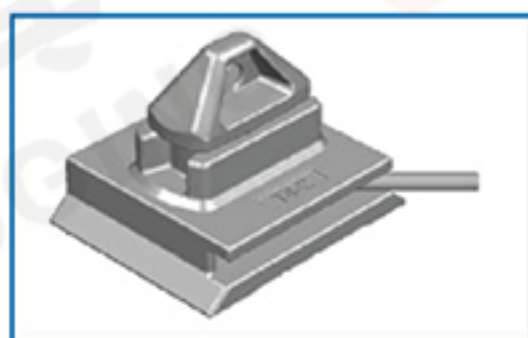
T2-1



T3-1



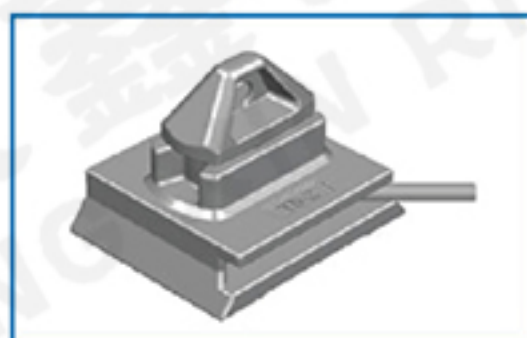
T4-1



T4-2



T5-1



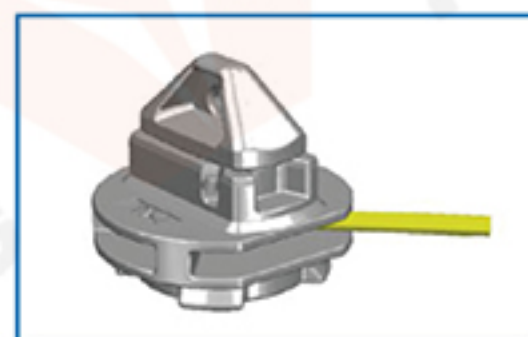
T5-2



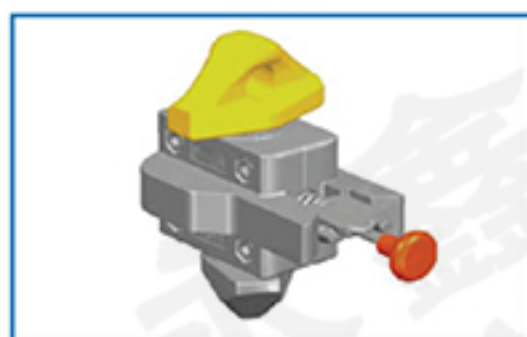
T5-3



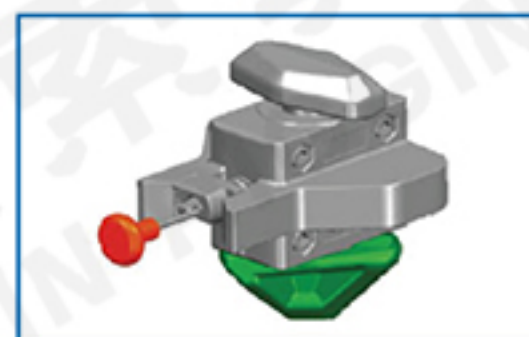
T5-L



T9-1



T6-1



T6-1HC



T8-2



T3-2(trains lock)



HS-1

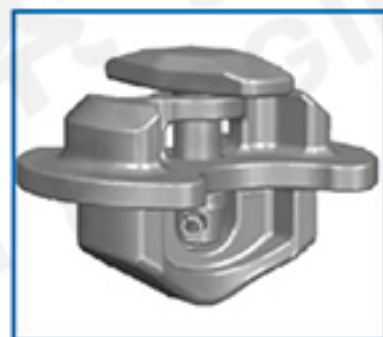


HS-1A

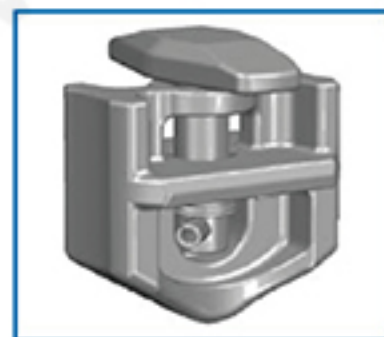
Bridge fitting



HS-2A



HS-2



HS-3

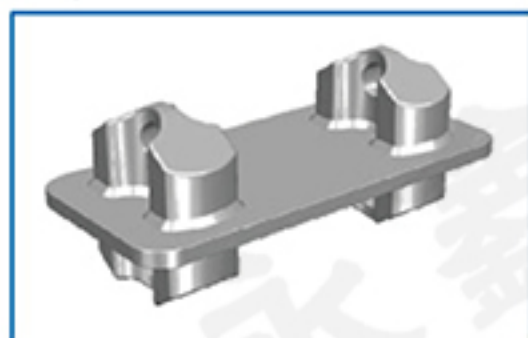


BF-1

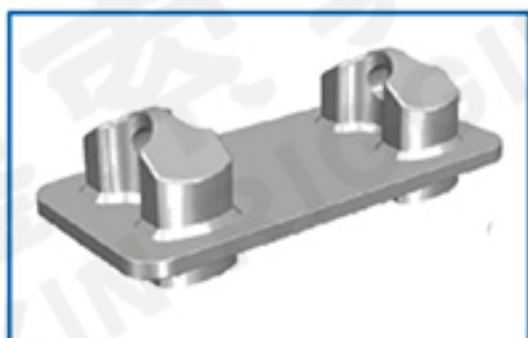


BF-2

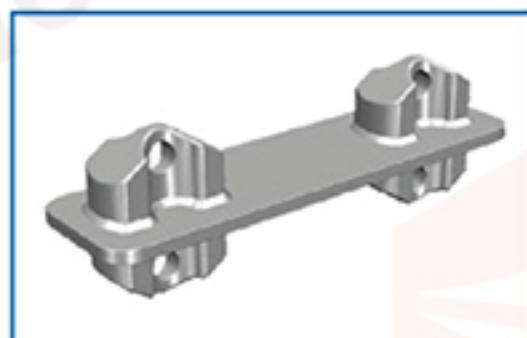
Stacking cones



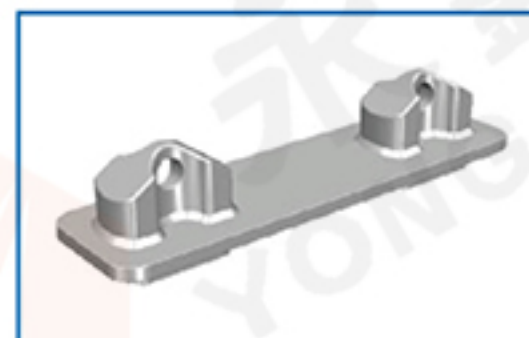
SC-2A



SC-2B



SC-2C



SC-2D



SC-1A



SC-1B



GC-1

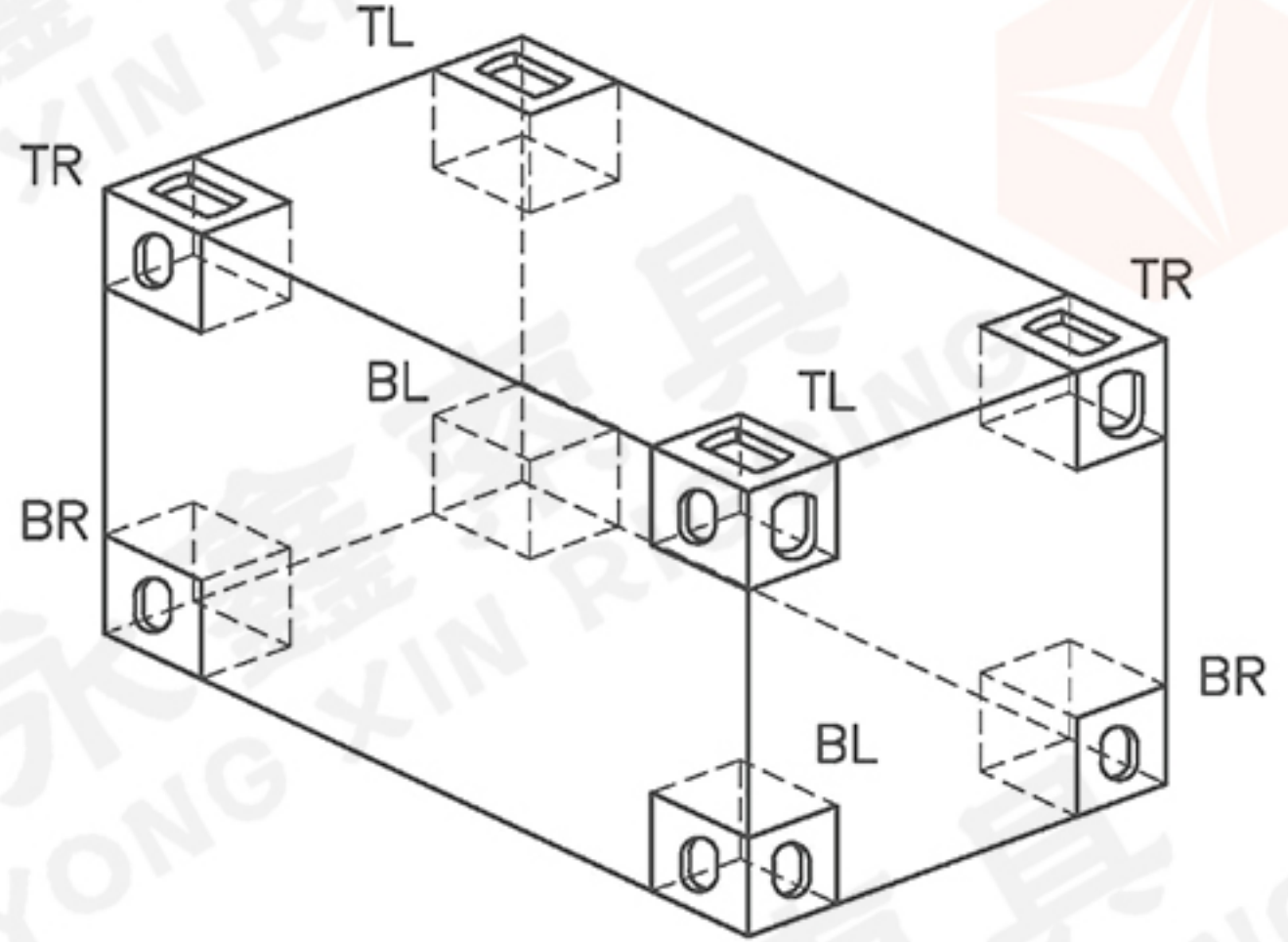
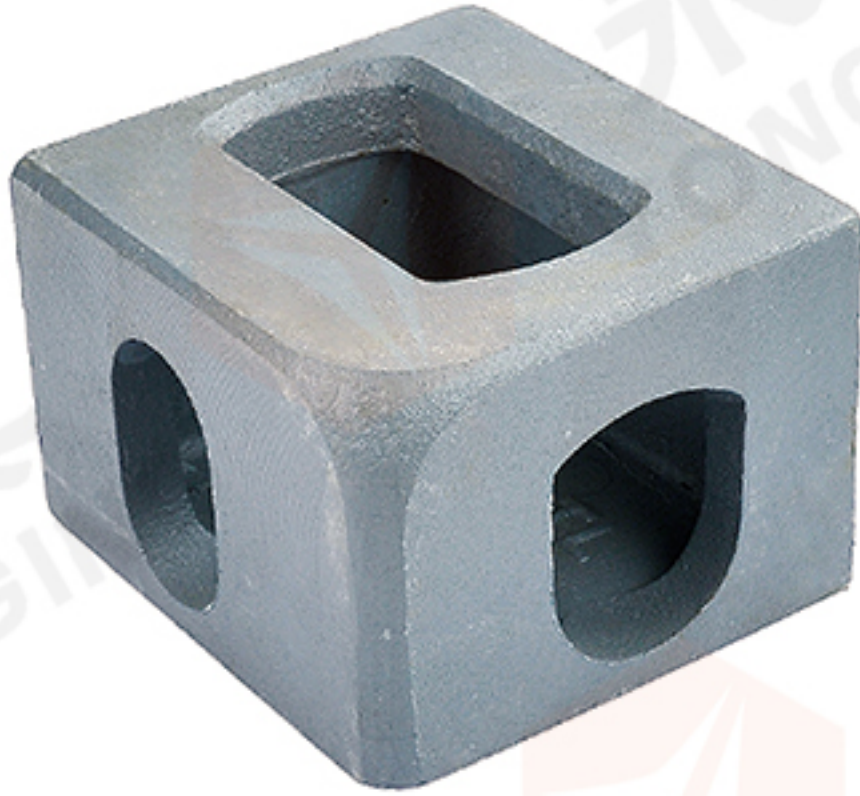


GC-2



GC-3

CONTAINER CASTING CORNER FITTINGS



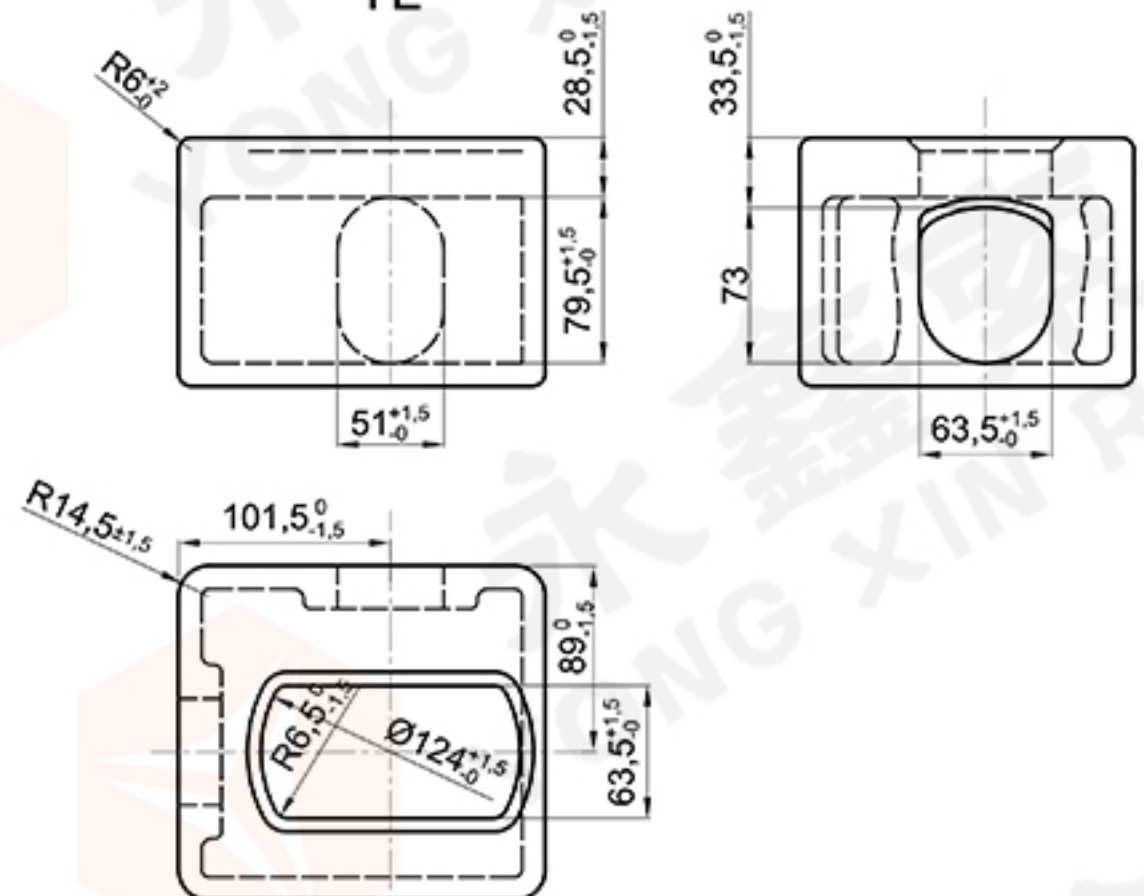
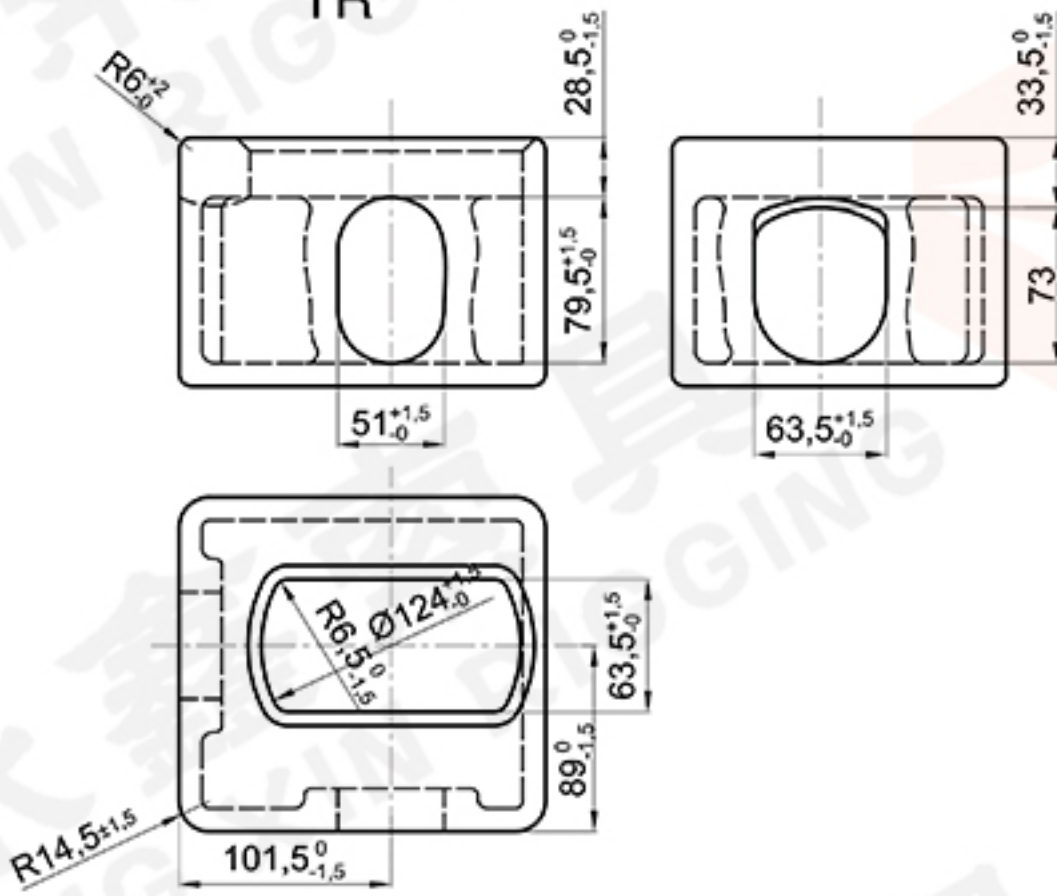
YXR1800

Top corner fitting
TR

right

TL

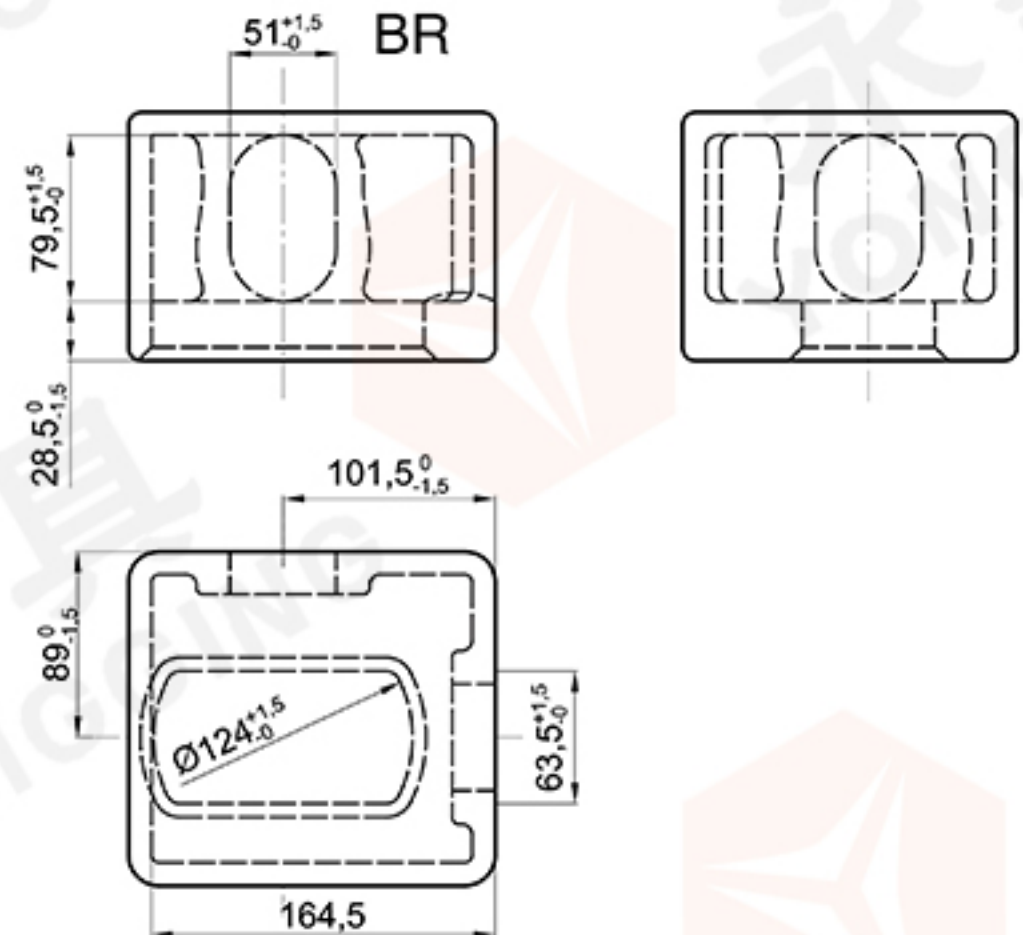
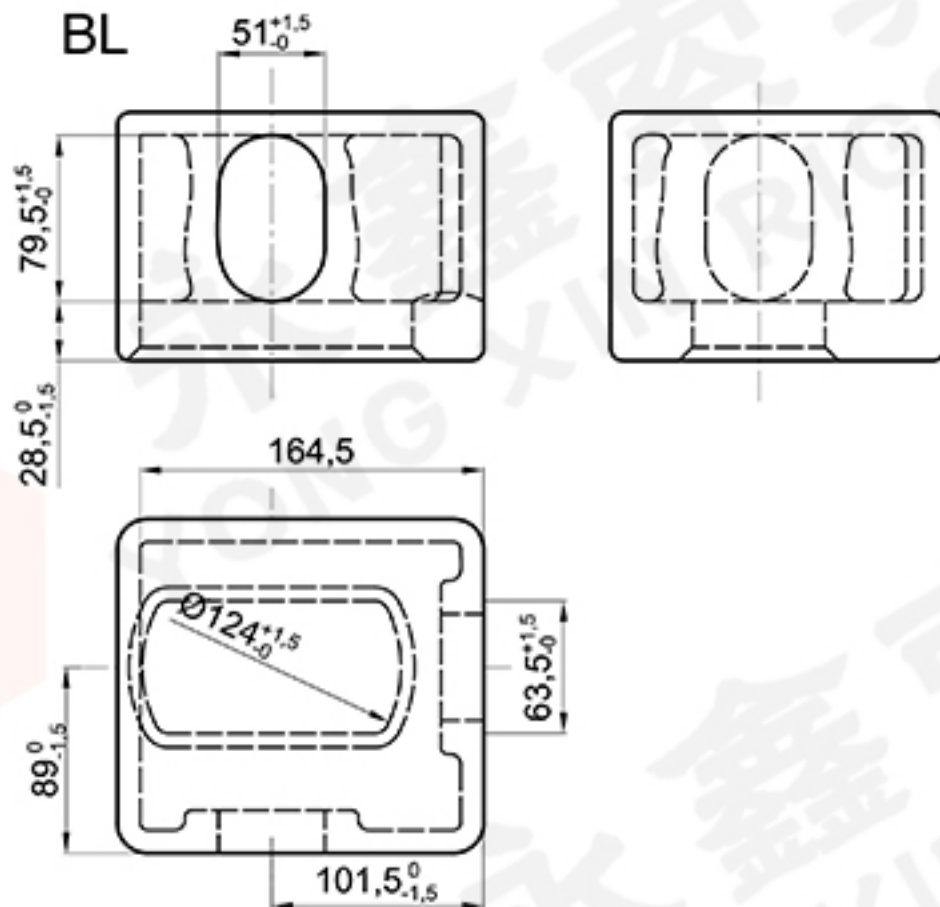
left

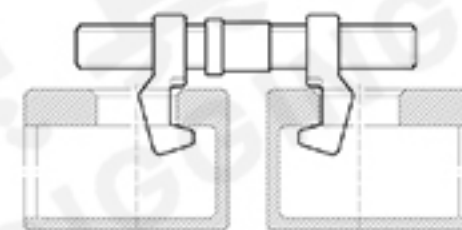
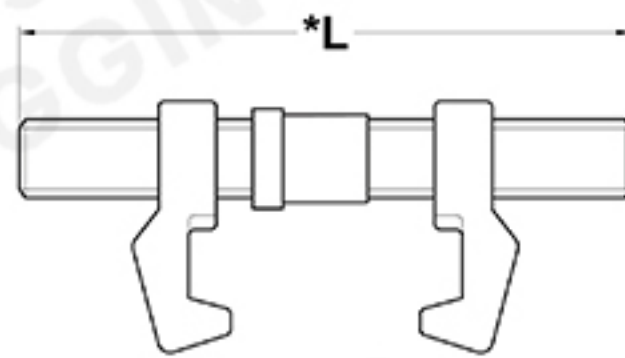
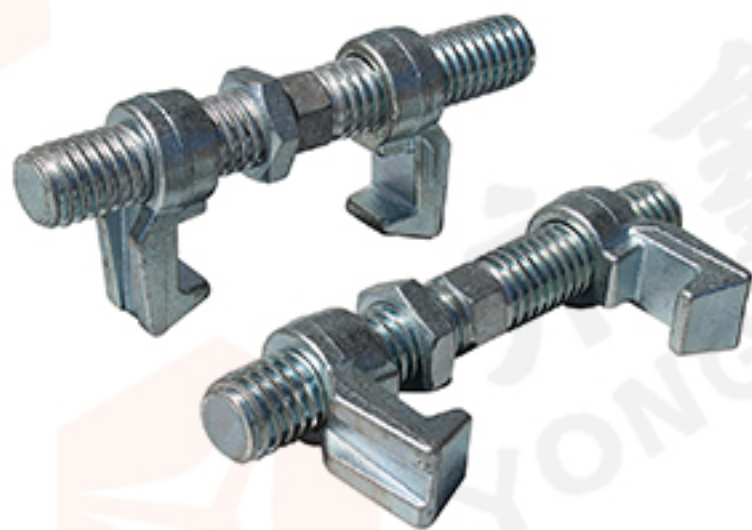


Bottom corner fitting
BL

left

right





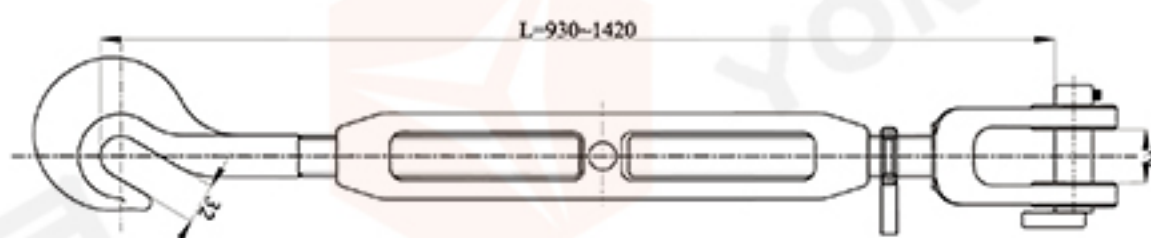
YXR1801

CONTAINER CASTING CORNER FITTINGS

ITEM NO.	SIZE (MM)	WEIGHT EACH (KG)	SAFE WORKING LOAD (KN)	PROOF LOAD (KN)	BREAKING LOAD (KN)	MATERIAL	FINISH	L* (MM)
YXR1801-01	280	3	50	63	100	Steel	Galvanized	280
YXR1801-02	380	3.8	50	63	100	Steel	Galvanized	380



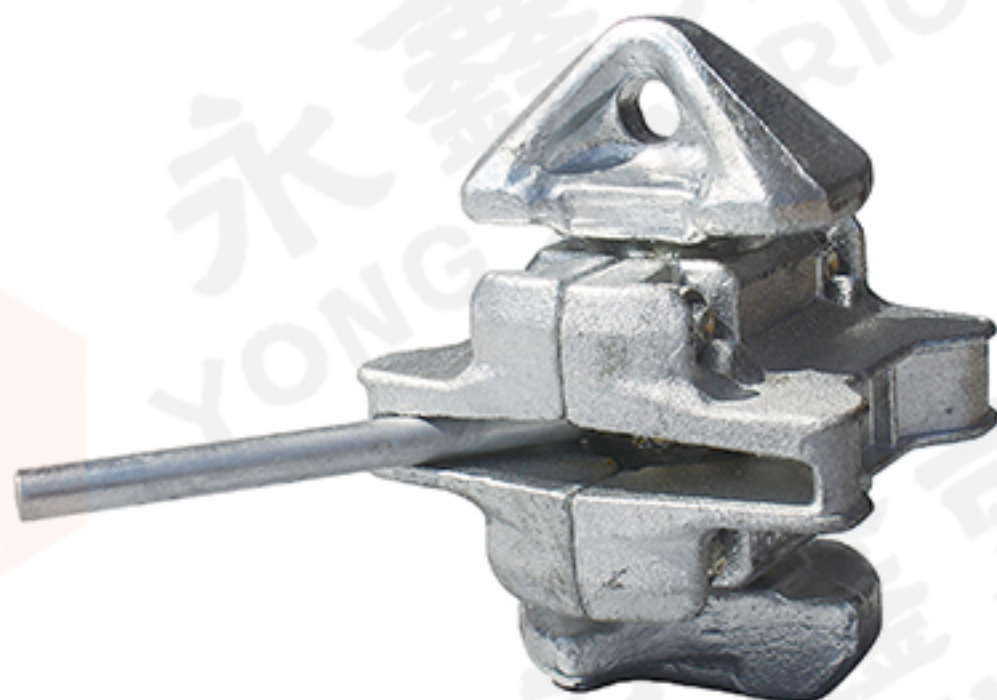
YXR1802



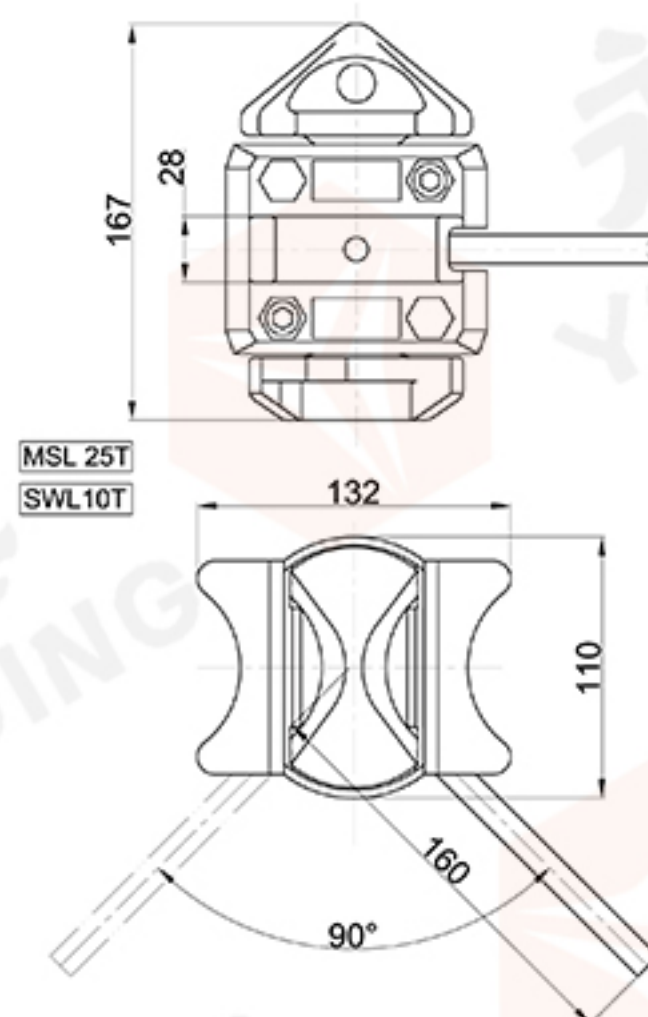
TURNBUCKLE HOOK & JAW TYPE

ITEM NO.	SIZE	WEIGHT EACH (KG)	SAFE WORKING LOAD (KN)	PROOF LOAD (KN)	BREAKING LOAD (KN)	MATERIAL	FINISH	L* (MM)
YXR1802-01	UC	18	250	313	500	Steel	Galvanized	930-1420

INTERMEDIATE TWISTLOCKS



YXR1803



Left Type