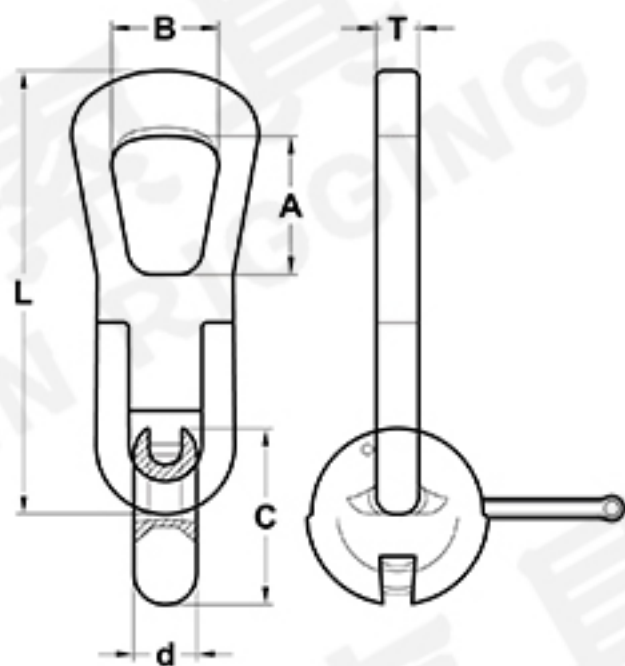


YXR1501

LIFTING CLUTCH FOR CONCRTE LIFTING

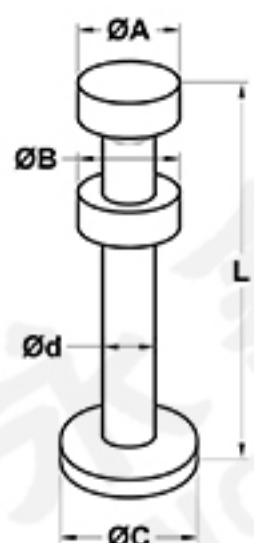
ITEM NO.	SIZE	WT (KG)	DIMENSIONS (MM)							
			A	B	C	D	E	F	G	H
YXR1501-01	1T-1.3T	0.9	12	32	55	43	69.5	128.5	12	12
YXR1501-02	1.5T-2.5T	1.35	16	39	65	55	83	154	16	14



YXR1502

LIFTING RING CLUTCH FOR CONCRTE LIFTING

ITEM NO.	SIZE (T)	LOAD GROUP (T)	DIMENSIONS (MM)					
			A	B	C	D	T	L
YXR1502-01	2.5	2.5	70	58	80	27	12	265
YXR1502-02	5	5	86	65	105	36	16	330
YXR1502-03	10	10	112	90	150	50	25	425
YXR1502-04	26	26	160	120	206	72	30	605



YXR1503

DOUBLE HEAD LIFTING FOOT ANCHOR

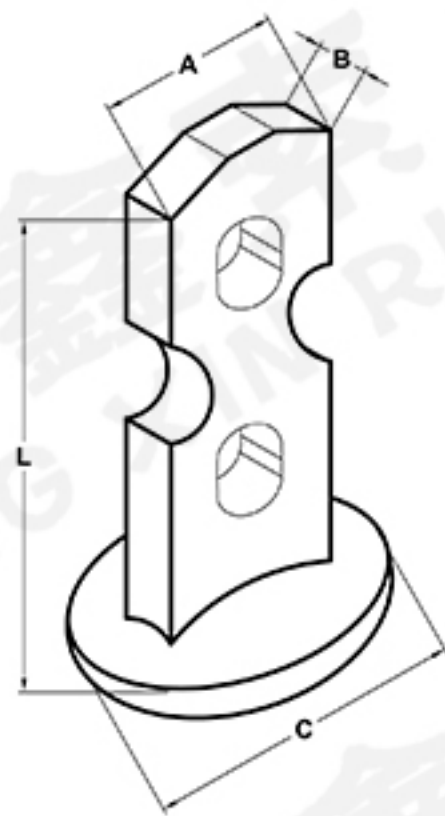
ITEM NO.	SIZE	LOAD GROUP (T)	DIMENSIONS (MM)				
			A	B	C	d	L
YXR1503-01	1.3 × 55	1.3	19	19	25	10	55
YXR1503-02	1.3 × 85	1.3	19	19	25	10	85
YXR1503-03	1.3 × 120	1.3	19	19	25	10	120
YXR1503-04	2.5 × 85	2.5	26	26	35	14	85
YXR1503-05	2.5 × 120	2.5	26	26	35	14	120
YXR1503-06	2.5 × 170	2.5	26	26	35	14	170
YXR1503-07	5 × 75	5	36	36	50	20	75
YXR1503-08	5 × 120	5	36	36	50	20	120
YXR1503-09	5 × 240	5	36	36	50	20	240

### SWIFT LIFTING FOOT ANCHOR



YXR1504

ITEM NO.	SIZE	LOAD GROUP (T)	DIMENSIONS (MM)			
			A	B	d	L
YXR1504-01	1.3 × 55	1.3	19	25	10	55
YXR1504-02	1.3 × 65	1.3	19	25	10	65
YXR1504-03	1.3 × 85	1.3	19	25	10	85
YXR1504-04	1.3 × 120	1.3	19	25	10	120
YXR1504-05	2.5 × 55	2.5	26	35	14	55
YXR1504-06	2.5 × 85	2.5	26	35	14	85
YXR1504-07	2.5 × 120	2.5	26	35	14	120
YXR1504-08	2.5 × 170	2.5	26	35	14	170
YXR1504-09	5 × 75	5	36	50	20	75
YXR1504-10	5 × 95	5	36	50	20	95
YXR1504-11	5 × 120	5	36	50	20	120
YXR1504-12	5 × 240	5	36	50	20	240
YXR1504-13	7.5 × 120	7.5	46	60	24	120
YXR1504-14	7.5 × 170	7.5	46	60	24	170
YXR1504-15	10 × 120	10	46	70	28	120
YXR1504-16	10 × 170	10	46	70	28	170
YXR1504-17	13 × 300	13	69	85	34	300
YXR1504-18	20 × 300	20	70	98	39	300



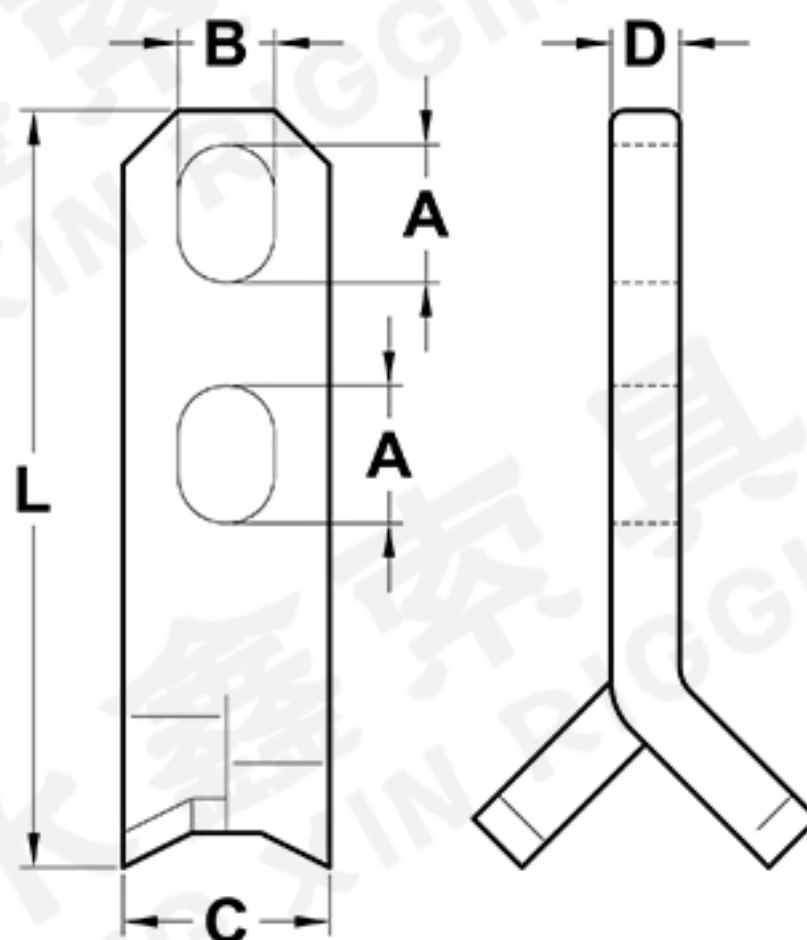
YXR1505

### DROP FORGED FOOT ANCHOR

ITEM NO.	ANCHOR TONNAGE (T)	SWL TENSION (LBS)	CLUTCH ID	DIMENSIONS (IN)			
				L	A	B	C
YXR1505-01	2.5	3900	2-2.5T	3-1/2	1-5/16	3/8	1-1/2
YXR1505-02	2.5	4400	2-2.5T	4	1-5/16	3/8	1-1/2
YXR1505-03	2.5	4400	2-2.5T	4-1/2	1-5/16	3/8	1-1/2
YXR1505-04	2.5	4500	2-2.5T	5-1/2	1-5/16	3/8	1-1/2
YXR1505-05	2.5	5500	2-2.5T	6-3/4	1-5/16	3/8	1-1/2
YXR1505-06	5	4400	4-5T	3-1/2	1-13/16	5/8	2-1/4
YXR1505-07	5	6200	4-5T	4-1/2	1-13/16	5/8	2-1/4
YXR1505-08	5	6200	4-5T	4-3/4	1-13/16	5/8	2-1/4
YXR1505-09	5	8800	4-5T	5-1/2	1-13/16	5/8	2-1/4
YXR1505-10	5	11000	4-5T	9-1/2	1-13/16	5/8	2-1/4
YXR1505-11	10	6200	8-10T	4-3/4	2-5/8	3/4	2-7/8
YXR1505-12	10	8500	8-10T	5-1/2	2-5/8	3/4	2-7/8
YXR1505-13	10	12500	8-10T	7	2-5/8	3/4	2-7/8
YXR1505-14	10	22000	8-10T	10	2-5/8	3/4	2-7/8



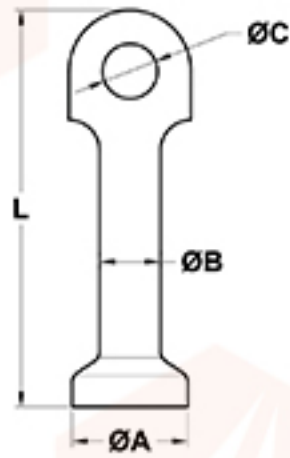
YXR1506



SPREAD ANCHOR

ITEM NO.	FINISH*	LOAD GROUP (T)	DIMENSIONS (MM)				
			A	B	C	D	L
YXR1506-01	0.7×11	2.5	20	14	30	5	110
YXR1506-02	1.4×11	2.5	20	14	30	6	110
YXR1506-03	1.4×16	2.5	20	14	30	6	160
YXR1506-04	2×13	2.5	20	14	30	8	130
YXR1506-05	2×16	2.5	20	14	30	8	160
YXR1506-06	2×21	2.5	20	14	30	8	210
YXR1506-07	2.5×15	2.5	20	14	30	10	150
YXR1506-08	2.5×20	2.5	20	14	30	10	200
YXR1506-09	2.5×25	2.5	20	14	30	10	250
YXR1506-10	3×16	5	22	18	40	10	160
YXR1506-11	3×20	5	22	18	40	10	200
YXR1506-12	3×28	5	22	18	40	10	280
YXR1506-13	4×18	5	22	18	40	12	180
YXR1506-14	4×24	5	22	18	40	12	240
YXR1506-15	4×32	5	22	18	40	12	320
YXR1506-16	5×18	5	22	18	40	15	180
YXR1506-17	5×24	5	22	18	40	15	240
YXR1506-18	5×40	5	22	18	40	15	400
YXR1506-19	6×22	10	31	26	60	12	220
YXR1506-20	6×26	10	31	26	60	12	260
YXR1506-21	6×34	10	31	26	60	12	340
YXR1506-22	7.5×26	10	31	26	60	16	260
YXR1506-23	7.5×30	10	31	26	60	16	300
YXR1506-24	7.5×34	10	31	26	60	16	420
YXR1506-25	10×30	10	31	26	60	20	300
YXR1506-26	10×37	10	31	26	60	20	370
YXR1506-27	10×52	10	31	26	60	20	520
YXR1506-28	10×37	26	45	35	80	20	370
YXR1506-29	12×46	26	45	35	80	20	460
YXR1506-30	22×50	26	45	35	80	26	500
YXR1506-31	22×62	26	45	35	80	26	620

◆ FINISH\* : Designation Mill Finish.

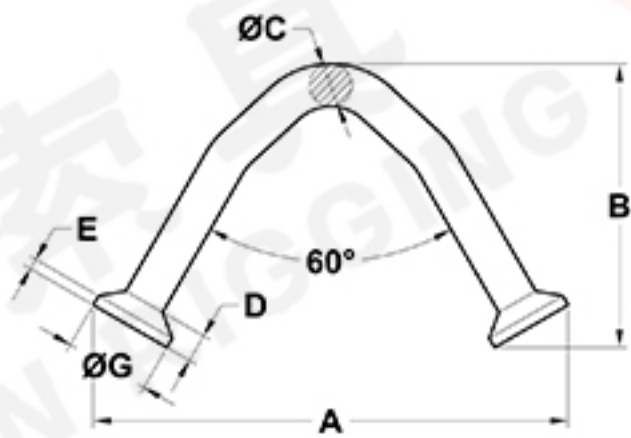


### LIFTING EYE ANCHOR

ITEM NO.	SIZE	LOAD GROUP (T)	DIMENSIONS (MM)			
			A	B	C	L
YXR1507-01	1.3 × 55	1.3	19	10	9	55
YXR1507-02	2.5 × 90	2.5	26	14	13	90
YXR1507-03	2.5 × 120	2.5	26	14	13	120
YXR1507-04	5 × 90	5	36	20	18	90
YXR1507-05	5 × 120	5	36	20	18	120
YXR1507-06	10 × 115	10	47	28	25	115
YXR1507-07	10 × 180	10	47	28	25	180
YXR1507-08	20 × 250	20	70	39	37	250
YXR1507-09	32 × 300	32	88	50	47	300



YXR1507

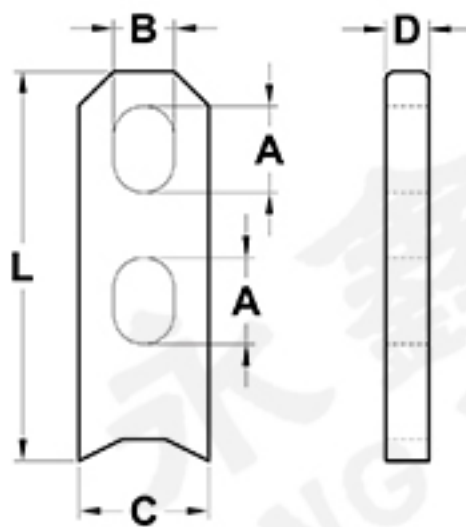


### UTILITY ANCHOR

ITEM NO.	SIZE (T)	WLL (T)	DIMENSIONS (MM)					
			A	B	C	D	E	G
YXR1508-01	0.8	0.8	134	80	12	8	3	24
YXR1508-02	1.8	1.8	152	95	12	8	3	24
YXR1508-03	2	2	181	120	12	8	3	24
YXR1508-04	3.5	3.5	173	95	17	11	3	41
YXR1508-05	5	5	188	120	17	11	3	41
YXR1508-06	7.5	7.5	254	170	17	11	3	41



YXR1508



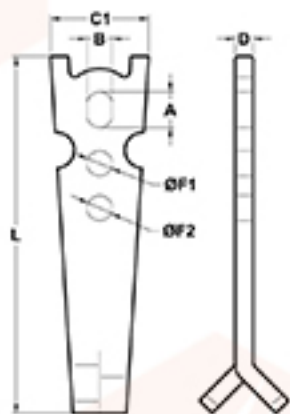
### TWO HOLE ANCHOR

ITEM NO.	FINISH*	LOAD GROUP (T)	DIMENSIONS (MM)				
			A	B	C	D	L
YXR1509-01	1.4×9	2.5	20	14	30	5	90
YXR1509-02	2×9	2.5	20	14	30	6	90
YXR1509-03	2.5×9	2.5	20	14	30	8	90
YXR1509-04	3×9	2.5	20	14	30	10	90
YXR1509-05	3×12	5	22	18	40	10	120
YXR1509-06	4×12	5	22	18	40	12	120
YXR1509-07	5×12	5	22	18	40	15	120
YXR1509-08	6×16	10	31	26	60	12	160
YXR1509-09	7.5×16	10	31	26	60	16	160
YXR1509-10	10×16	10	31	26	60	20	160
YXR1509-11	14×24	26	45	35	80	20	240



YXR1509

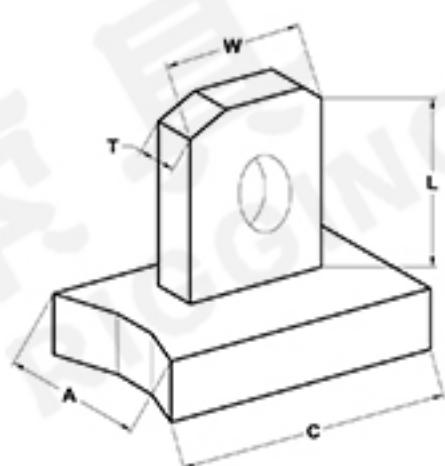
\* FINISH\* : Designation Mill Finish.


**YXR1510**

### ERECTION ANCHOR

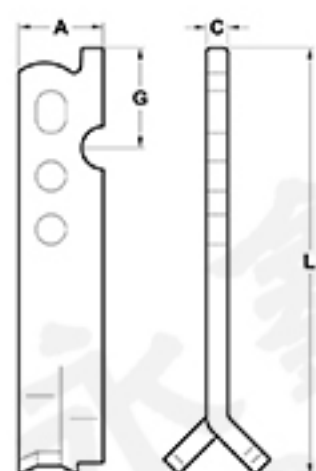
ITEM NO.	FINISH*	LOAD GROUP (T)	DIMENSIONS (MM)						
			A	B	C1	D	F1	F2	L
YXR1510-01	1.4×20	2.5	20	14	55	6	15	15	200
YXR1510-02	2.5×23	2.5	20	14	55	10	15	15	230
YXR1510-03	4×27	5	22	18	70	12	18	18	270
YXR1510-04	5×29	5	22	18	70	15	18	18	290
YXR1510-05	7.5×32	10	31	26	95	15	25	25	320
YXR1510-06	10×39	10	31	26	95	20	25	25	390

◆ FINISH\* : Designation Mill Finish.


**YXR1511**

### REINFORCED PLATE ANCHOR

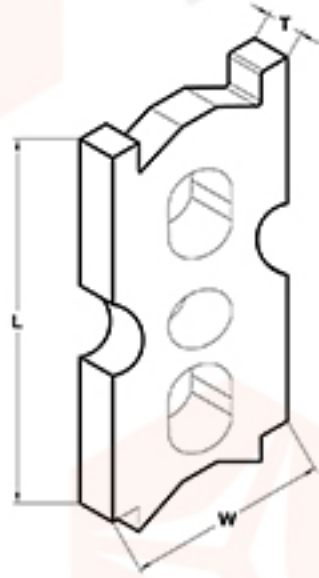
ITEM NO.	SIZE (T)	SWL (KG)	DIMENSIONS (MM)				
			A	C	W	T	L
YXR1511-01	2.5T	1814	95	32	32	10	57
YXR1511-02	5T	3628	76	38	38	13	76
YXR1511-03	5T	3628	76	38	38	13	89
YXR1511-04	5T	3628	98	38	38	16	111
YXR1511-05	10T	4535	32	64	60	20	181


**YXR1512**

### UNILATERAL ERECTION ANCOR

ITEM NO.	FINISH*	LOAD GROUP (T)	DIMENSIONS (MM)			
			A	C	L	G
YXR1512-01	1.4×20	2.5	40	6	200	42.2
YXR1512-02	2.5×23	2.5	40	10	230	42.5
YXR1512-03	4×27	5	55	12	270	50.5
YXR1512-04	5×29	5	55	15	290	50.5
YXR1512-05	7.5×32	10	80	15	320	78
YXR1512-06	10×39	10	80	20	390	78
YXR1512-07	12.5×50	26	115	20	500	88.5
YXR1512-08	17×50	26	115	25	500	88.5
YXR1512-09	22×50	26	115	30	500	88.5

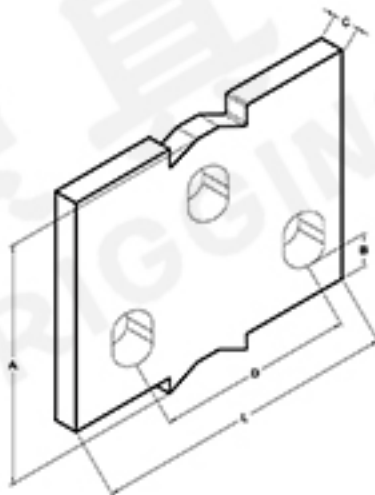
◆ FINISH\* : Designation Mill Finish.



YXR1513

### TWO HOLE ERECTION ANCHOR

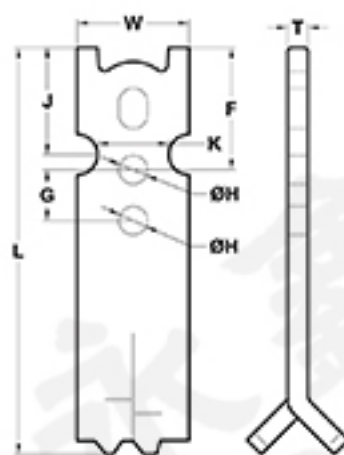
ITEM NO.	SIZE (T)	SWL (LBS)	CLUTCH ID	DIMENSIONS (IN)		
				L	W	T
YXR1513-01	2	4000	2-2.5T	4	2	3/8
YXR1513-02	2.5	5000	2-2.5T	4	2	3/8
YXR1513-03	4	8000	4-5T	7	2-1/2	5/8
YXR1513-04	5	10000	4-5T	7	2-1/2	5/8
YXR1513-05	8	16000	8-10T	7	3-1/2	3/4
YXR1513-06	8	16000	8-10T	13-1/2	3-1/2	3/4
YXR1513-07	10	20000	8-10T	7	3-1/2	3/4
YXR1513-08	10	20000	8-10T	13-1/2	3-1/2	3/4



YXR1514

### SANDWICH PANEL ERECTION ANCHOR

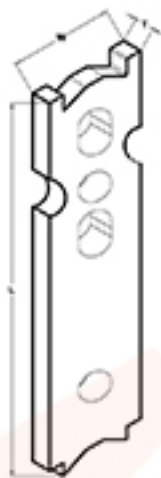
ITEM NO.	SIZE (T)	WT (LBS)	CLUTCH ID	DIMENSIONS (IN)				
				A	B	C	D	L
YXR1514-01	4	3.1	4-5T	3-1/2	1-3/8	5/8	3-3/4	6
YXR1514-02	5	3.2	4-5T	3-1/2	1-3/8	5/8	3-3/4	6
YXR1514-03	8	5.25	8-10T	4-3/4	2-29/32	3/4	4	6
YXR1514-04	10	6.25	8-10T	4-3/4	2-29/32	3/4	4	6



YXR1515

### ERECTION ANCHOR

ITEM NO.	SIZE	LOAD GROUP (T)	DIMENSIONS (MM)							
			L	W	T	J	K	H	G	F
YXR1515-01	2.5	2.5	203	50	10	46	35	14	29	57
YXR1515-02	5	5	267	64	16	64	46	46	32	81
YXR1515-03	7.5	10	325	95	16	62	62	62	44	102
YXR1515-04	10	10	325	95	20	81	65	65	44	102

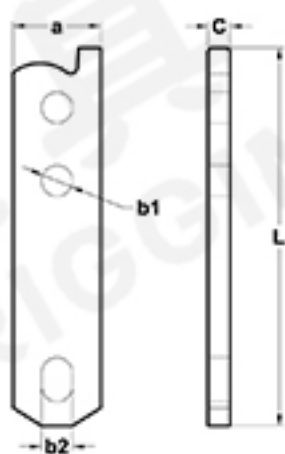


### FOOT ERECTION ANCHOR

ITEM NO.	ANCHOR TONNAGE (T)	S.W.L TENSION (LBS)	CLUTCH ID	DIMENSIONS (IN)		
				W	L	T
YXR1516-01	2T	4000	2-2.5T	2	2	3/8
YXR1516-02	4T	8000	4-5T	2-1/2	9-1/2	5/8
YXR1516-03	8T	16000	8-10T	3-1/2	13-1/2	3/4



YXR1516

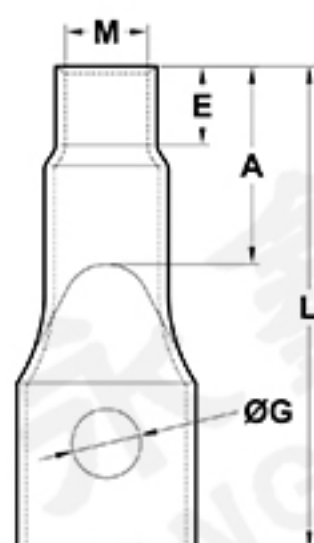


### SANDWICH PANEL ANCHOR

ITEM NO.	FINISH*	LOAD GROUP (T)	DIMENSIONS (MM)				
			A	B1	B2	C	L
YXR1517-01	2.5×25	2.5	40	14	18	10	250
YXR1517-02	5×30	5	60	17.5	26	16	300
YXR1517-03	7.5×30	10	80	25	35	16	350
YXR1517-04	10×35	10	80	25	35	20	350
YXR1517-05	17×40	26	100	30	35	20	400



YXR1517

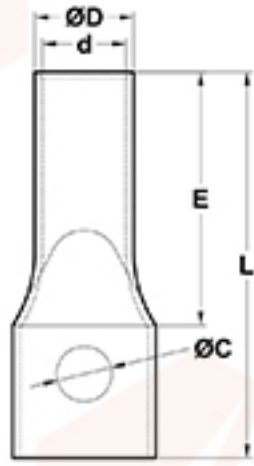


### FIXING SOCKETS WITH CROSS HOLE

ITEM NO.	SIZE	LOAD GROUP (KG)	DIMENSIONS (MM)				
			M	L	E	A	G
YXR1518-01	M6×35	300	6	35	6	17	6.2
YXR1518-02	M8×40	360	8	40	8	20	6.2
YXR1518-03	M10×45	400	10	45	10	20	6.2
YXR1518-04	M10×60	400	10	60	10	24	6.2
YXR1518-05	M12×55	600	12	55	12	25	10.2
YXR1518-06	M12×65	600	12	65	12	25	10.2
YXR1518-07	M16×70	950	16	70	16	25	10.2
YXR1518-08	M16×80	950	16	80	16	25	10.2
YXR1518-09	M16×100	1100	16	100	16	32	10.2
YXR1518-10	M16×120	1100	16	120	16	32	10.2
YXR1518-11	M20×100	1700	20	100	20	40	13.2
YXR1518-12	M20×120	1700	20	120	20	40	13.2
YXR1518-13	M24×120	2000	24	120	24	50	13.2
YXR1518-14	M30×150	2400	30	150	30	70	13.2



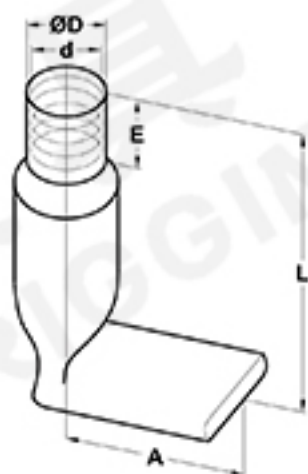
YXR1518



YXR1519

### FIXING SOCKETS DOWEL WITH HOLE

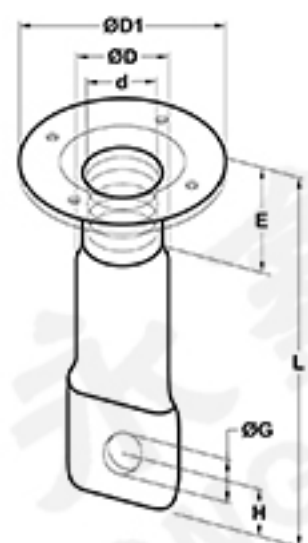
ITEM NO.	SIZE	LOAD GROUP (KG)	DIMENSIONS (MM)				
			D	D	L	E	C
YXR1519-01	M12×50	350	12	15	50	22	10.3
YXR1519-02	M12×60	500	12	15	60	22	10.3
YXR1519-03	M16×80	1200	16	21	80	27	13.3
YXR1519-04	M20×100	2000	20	27.2	100	35	15.3
YXR1519-05	M24×110	2500	24	31	110	35	17.3
YXR1519-06	M30×135	4000	30	39.5	135	50	22.5



YXR1520

### FIXING SOCKETS WITH BENDED END

ITEM NO.	SIZE	SWL (KG)	DIMENSIONS (MM)				
			D	D	L	E	A
YXR1520-01	M8×50	300	8	11	50	8	20
YXR1520-02	M10×60	600	10	13	60	10	25
YXR1520-03	M12×45	400	12	16	45	12	25
YXR1520-04	M12×70	800	12	16	70	12	30
YXR1520-05	M16×60	800	16	22	60	16	30
YXR1520-06	M16×100	1300	16	22	100	16	35
YXR1520-07	M20×70	1200	20	27	70	20	30
YXR1520-08	M20×100	1600	20	27	100	20	35
YXR1520-09	M24×80	1600	24	32	80	24	35

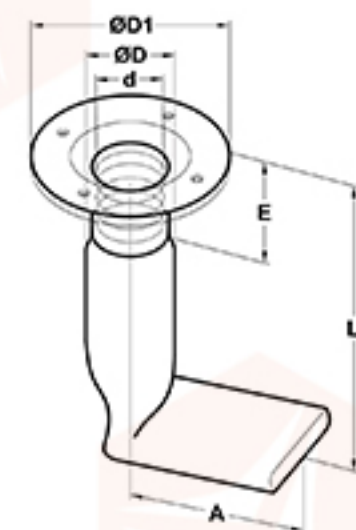


YXR1521

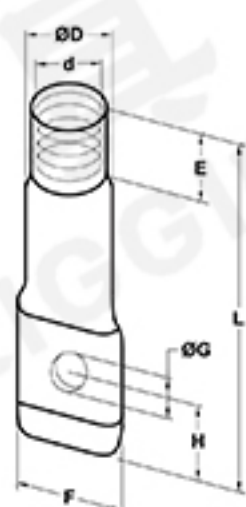
### FIXING SOCKETS WITH HOLE AND NAILING PLATE

ITEM NO.	SIZE	SWL (KG)	DIMENSIONS (MM)						
			D	D	D1	E	L	G	H
YXR1521-01	M10×50	350	10	13	34	10	50	6.2	12
YXR1521-02	M12×70	500	12	16	40	12	70	7.2	17
YXR1521-03	M16×80	800	16	22	44	16	80	12.2	22
YXR1521-04	M16×100	1000	16	22	44	16	100	9.2	22
YXR1521-05	M20×100	1250	20	27	48	20	100	12.2	22
YXR1521-06	M24×120	1800	24	32	57	24	120	14.2	25

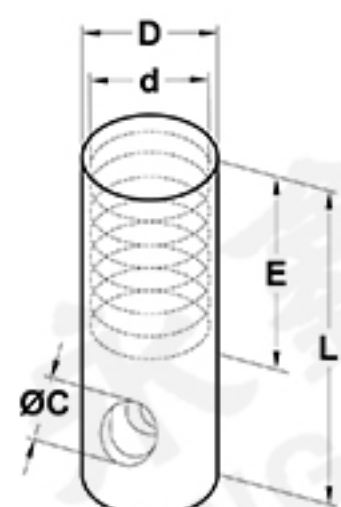



**YXR1522**
**FIXING SOCKETS WITH BENDED END WITH NAILING PLATE**

ITEM NO.	SIZE	SWL (KG)	DIMENSIONS (MM)					
			D	D	D1	E	L	A
YXR1522-01	M10×60	600	10	13	34	10	60	25
YXR1522-02	M12×70	800	12	16	40	12	70	30
YXR1522-03	M16×100	1300	16	22	44	16	100	35
YXR1522-04	M20×100	1600	20	27	48	20	100	35


**YXR1523**
**CAST-IN SOCKET WITH CRIMPED END**

ITEM NO.	SIZE	SWL (KG)	DIMENSIONS (MM)						
			D	D	E	L	G	H	F
YXR1523-01	M8×40	250	8	11	8	40	7	8	16
YXR1523-02	M8×50	250	8	11	8	50	7	8	16
YXR1523-03	M10×50	350	10	13	10	50	6.2	11	19
YXR1523-04	M12×60	500	12	16	12	60	9.2	13	23
YXR1523-05	M16×80	800	16	22	16	80	12	20	31
YXR1523-06	M16×100	1000	16	22	16	100	9.2	20	31
YXR1523-07	M20×100	1250	20	27	20	100	14	23	39
YXR1523-08	M24×100	1800	24	32	24	120	14	28	45


**YXR1524**
**LIFTING ROUND THREAD SOCKET PLATED**

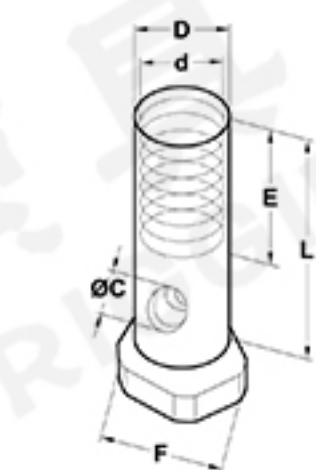
ITEM NO.	SIZE	SWL (KG)	DIMENSIONS (MM)				
			d	D	C	E	L
YXR1524-01	M12×40	500	M12×1.75	15	8	20	40
YXR1524-02	M14×47	800	M14×2	18	11	25	47
YXR1524-03	M16×55	1200	M16×2	21	13	27	55
YXR1524-04	M18×65	1600	M18×2.5	24	13	34	65
YXR1524-05	M20×67	2000	M20×2.5	27.2	15.5	35	67
YXR1524-06	M24×77	2500	M24×3	31	18	43	77
YXR1524-07	M30×105	4000	M30×3.5	39.5	22.5	56	105
YXR1524-08	M35×125	6300	M35×4	47	27	68	125
YXR1524-09	M42×145	8000	M42×4.5	54	32	80	145
YXR1524-10	M52×195	12500	M52×5	67.2	40	97	195



YXR1525

### CROWN FOOT ANCHOR

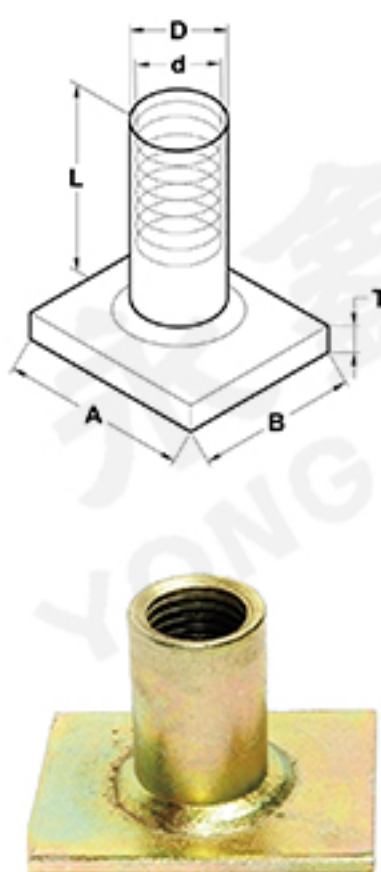
ITEM NO.	ITEM CODE	SWL (KG)	DIMENSIONS (MM)			
			D	D	E	L
YXR1525-01	M12×60	500	M12×1.75	17	24	60
YXR1525-02	M14×70	800	M14×2	19	28	70
YXR1525-03	M16×80	1200	M16×2	21	32	80
YXR1525-04	M18×90	1600	M18×2.5	24	36	90
YXR1525-05	M20×100	2000	M20×2.5	27	40	100
YXR1525-06	M24×115	2500	M24×3	31	48	115
YXR1525-07	M30×150	4000	M30×3.5	40	60	150



YXR1526

### ELEPHANT FOOT FERRULE

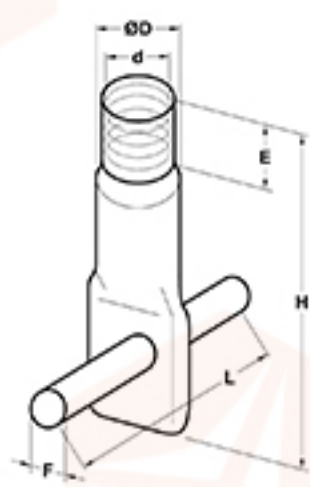
ITEM NO.	SIZE	SWL (KG)	DIMENSIONS (MM)					
			d	D	C	E	F	L
YXR1526-01	M10×45	400	10	15	8	18	17	45
YXR1526-02	M12×75	500	12	17	8	22	21	75
YXR1526-03	M16×95	1200	16	22	10	25	24	95
YXR1526-04	M20×95	2000	20	28	10	27	26	95
YXR1526-05	M24×95	2500	24	32	12	34	33	95
YXR1526-06	M30×125	3000	30	40	12	35	34	125



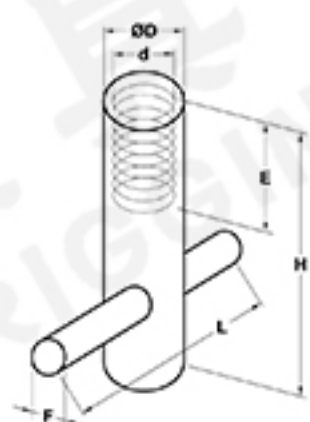
YXR1527

### FLAT PLATE SOCKET

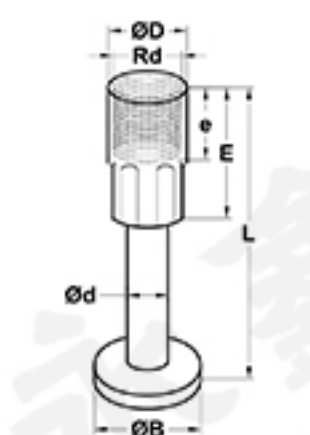
ITEM NO.	SIZE	SWL (KG)	DIMENSIONS (MM)					
			d	D	A	B	T	L
YXR1527-01	M12×30	500	M12×1.75	15	25	35	4	30
YXR1527-02	M14×33	800	M14×2	18	35	35	4	33
YXR1527-03	M16×35	1200	M16×2	21	35	50	4	35
YXR1527-04	M18×44	1600	M18×2.5	24	45	60	5	44
YXR1527-05	M20×47	2000	M20×2.5	27	60	60	5	47
YXR1527-06	M24×54	2500	M24×3	31	60	80	5	54
YXR1527-07	M30×72	4000	M30×3.5	40	80	100	6	72
YXR1527-08	M36×47	6300	M36×4	47	100	130	6	84
YXR1527-09	M42×54	8000	M42×4.5	54	130	130	8	98
YXR1527-10	M52×117	12500	M52×5	67	130	150	10	117


**YXR1528**
**FIXING SOCKETS WITH CROSS PIN**

ITEM NO.	SIZE	WLL (KN)	DIMENSIONS (MM)					
			d	D	E	H	F	L
YXR1528-01	M12×60	5	12	17	13	60	10	50
YXR1528-02	M16×80	8	16	22.5	17	80	12	50
YXR1528-03	M16×100	10	16	22.5	17	100	12	50
YXR1528-04	M20×95	12	20	27	20	95	14	85
YXR1528-05	M20×115	13	20	27	20	115	14	85
YXR1528-06	M24×120	18	24	32	24	120	14	85
YXR1528-07	M30×150	27.5	30	40	30	150	16	100


**YXR1529**
**FIXING SOCKETS WITH CROSS BAR**

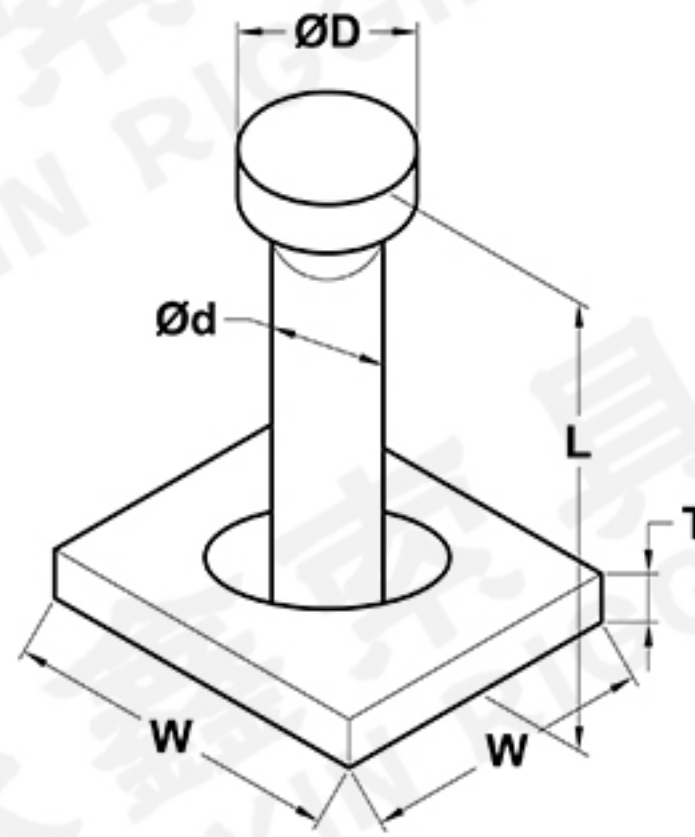
ITEM NO.	SIZE	WLL (KG)	DIMENSIONS (MM)					
			d	D	E	H	F	L
YXR1529-01	M10×42	600	10	16	22	42	6/8	50
YXR1529-02	M12×50	900	12	18	20	50	10	75
YXR1529-03	M12×75	900	12	18	40	75	10	75
YXR1529-04	M16×75	1700	16	23	40	75	10/12	75
YXR1529-05	M20×75	2300	20	28	35	75	12/14	90
YXR1529-06	M24×100	3000	24	32	55	100	16	100


**YXR1530**
**COMPACT ANCHOR**

ITEM NO.	SIZE	WLL (KG)	DIMENSIONS (MM)						
			d	D	Rd	e	E	B	L
YXR1530-01	M12×100	500	8	17	12	22	43	20	100
YXR1530-02	M14×155	800	10	18	14	25	45	25	155
YXR1530-03	M16×175	1200	10	21	16	27	60	25	175
YXR1530-04	M18×225	1600	14	24	18	35	65	35	225
YXR1530-05	M20×250	2000	14	27	20	35	67	35	250
YXR1530-06	M24×275	2500	14	31	24	43	75	35	275
YXR1530-07	M30×350	4000	20	40	30	56	90	50	350
YXR1530-08	M36×450	6300	25	48	36	68	105	60	450
YXR1530-09	M42×500	8000	28	54	42	75	125	70	500



YXR1531



### LIFTING STUD WITH FLAT PLATE

ITEM NO.	SIZE	LOAD GROUP (T)	DIMENSIONS (MM)				
			d	D	T	W	L
YXR1531-01	2.5×55	2.5	14	26	6	70	55
YXR1531-02	2.5×120	2.5	14	26	6	70	120
YXR1531-03	5×55	5	20	36	8	90	55
YXR1531-04	5×65	5	20	36	8	90	65
YXR1531-05	5×110	5	20	36	8	90	110
YXR1531-06	10×115	10	28	46	10	90	115

If you are in need of other types not listed in our catalogue please contact our sales department.





