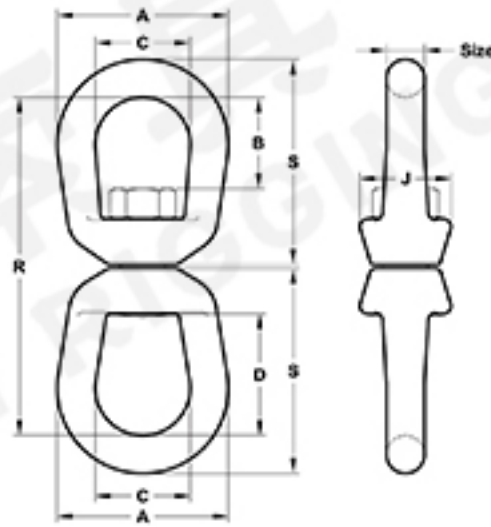


YXR1366

G401 CHAIN SWIVELS

ITEM NO.	SIZE (IN)	WLL (LBS)	WT (LBS)	DIMENSIONS(IN)										
				A	B	C	D	E	G	J	M	R	U	V
YXR1366-01	1/4	850	0.13	1.25	0.69	0.75	0.62	1.12	0.25	0.69	0.31	2.25	1.69	1.25
YXR1366-02	5/16	1250	0.25	1.63	0.81	1.00	0.75	1.38	0.31	0.81	0.38	2.72	2.06	1.47
YXR1366-03	3/8	2250	0.54	2.00	0.94	1.25	1.00	1.75	0.38	1.00	0.50	3.44	2.50	1.88
YXR1366-04	1/2	3600	1.12	2.50	1.31	1.50	1.25	2.25	0.50	1.31	0.63	4.25	3.19	2.44
YXR1366-05	5/8	5200	2.09	3.00	1.56	1.75	1.50	2.75	0.62	1.50	0.75	5.13	3.88	2.94
YXR1366-06	3/4	7200	3.09	3.50	1.75	2.00	1.75	3.25	0.75	1.88	0.88	5.78	4.94	3.46

◆ Ultimate Load is 5 times the Working Load Limit.

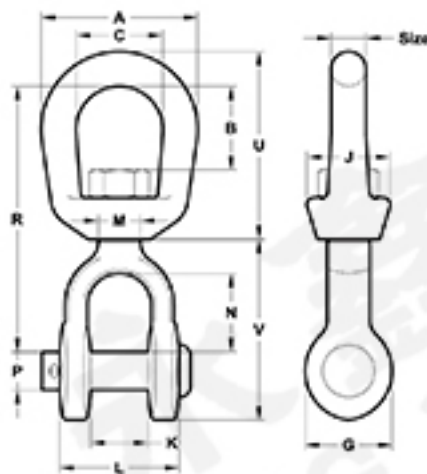


YXR1367

G402 REGULAR CHAIN SWIVELS

ITEM NO.	SIZE (IN)	WLL (LBS)	WT (LBS)	DIMENSIONS(IN)							
				A	B	C	D	J	M	R	S
YXR1367-01	1/4	850	0.21	1.25	0.69	0.75	1.06	0.69	0.31	2.94	1.69
YXR1367-02	5/16	1250	0.39	1.63	0.81	1.00	1.25	0.81	0.38	3.56	2.06
YXR1367-03	3/8	2250	0.71	2.00	0.94	1.25	1.50	1.00	0.50	4.31	2.50
YXR1367-04	1/2	3600	1.32	2.50	1.31	1.50	2.00	1.31	0.38	5.44	3.19
YXR1367-05	5/8	5200	2.49	3.00	1.56	1.75	2.38	1.50	0.75	6.56	3.88
YXR1367-06	3/4	7200	4.02	3.50	1.79	2.00	2.63	1.88	0.88	7.19	4.31
YXR1367-07	7/8	10000	6.25	4.00	2.06	2.25	3.06	2.13	1.00	8.38	5.00
YXR1367-08	1	12500	8.95	4.50	2.31	2.50	3.50	2.38	1.13	9.63	5.75
YXR1367-09	1-1/4	18000	16.37	5.63	2.69	3.13	3.69	3.00	1.50	11.44	6.75
YXR1367-10	1-1/2	45200	45.79	7.09	3.88	4.09	3.88	3.75	2.25	16.69	9.91

◆ Ultimate Load is 5 times the Working Load Limit.



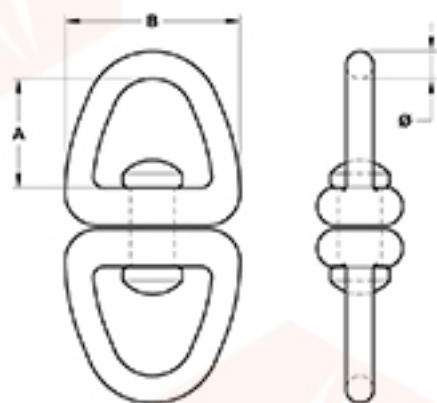
YXR1368

G403 JAW SWIVELS

ITEM NO.	SIZE (IN)	WLL (LBS)	WT (LBS)	DIMENSIONS(IN)												
				A	B	C	G	J	K	L	M	N	P	R	U	V
YXR1368-01	1/4	850	0.21	1.25	0.69	0.75	0.69	0.69	0.47	1.03	0.31	0.88	0.25	2.63	1.69	1.69
YXR1368-02	5/16	1250	0.34	1.63	0.81	1.00	0.81	0.81	0.50	1.13	0.38	0.88	0.31	2.94	2.06	1.81
YXR1368-03	3/8	2250	0.66	2.00	0.94	1.25	1.00	1.00	0.63	1.41	0.50	1.06	0.38	3.63	2.50	2.25
YXR1368-04	1/2	3600	1.34	2.50	1.31	1.50	1.31	1.31	0.75	1.75	0.63	1.31	0.50	4.50	3.19	2.88
YXR1368-05	5/8	5200	2.48	3.00	1.56	1.75	1.63	1.50	0.94	2.06	0.75	1.50	0.63	5.31	3.88	3.44
YXR1368-06	3/4	7200	3.88	3.50	1.75	2.00	1.88	1.88	1.13	2.53	0.88	1.75	0.75	6.06	4.31	4.00
YXR1368-07	7/8	10000	5.87	4.00	2.06	2.25	2.13	2.13	1.34	2.79	1.00	2.06	0.88	7.00	5.00	4.53
YXR1368-08	1	12500	9.84	4.50	2.31	2.50	2.63	2.88	1.75	3.72	1.13	2.81	1.13	8.56	5.75	5.94
YXR1368-09	1-1/4	18000	15.75	5.69	2.69	3.13	3.13	3.00	2.06	4.31	1.63	2.81	1.38	9.75	7.06	6.38
YXR1368-10	1-1/2	45200	54.75	7.00	3.88	4.00	5.63	4.00	2.88	6.00	2.25	4.44	2.25	14.25	10.00	10.84

◆ Ultimate Load is 5 times the Working Load Limit.

FISHING SWIVELS "8" TYPE

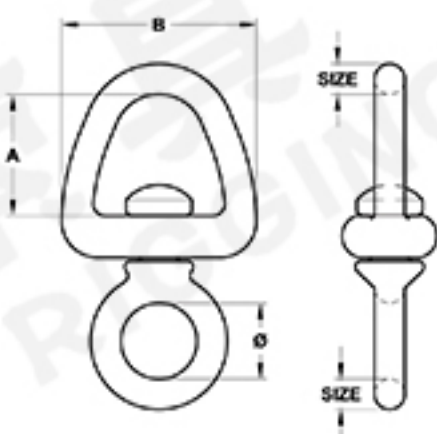


YXR1369

ITEM NO.	SIZE (MM)	WLL (T)	WT (KG)	DIMENSIONS (MM)		
				A	B	Φ
YXR1369-01	8	0.3	0.15	30	22	8
YXR1369-02	10	0.7	0.25	38	29	10
YXR1369-03	12	1.2	0.4	40	32	12
YXR1369-04	14	2	0.6	46	36	14
YXR1369-05	16	3	0.85	50	40	16
YXR1369-06	18	3.5	1.2	55	46	18
YXR1369-07	22	5	2	70	55	22
YXR1369-08	24	6	3	80	64	24

◆ Ultimate Load is 4 times the Working Load Limit.

FISHING SWIVELS FIXED TYPE

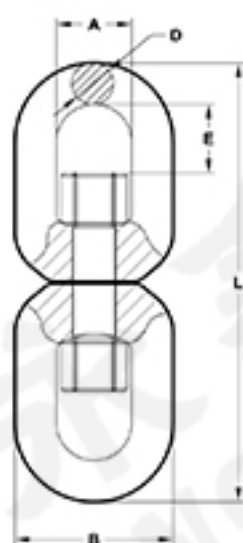


YXR1370

ITEM NO.	SIZE (MM)	WLL (T)	WT (KG)	DIMENSIONS (MM)		
				A	B	Φ
YXR1370-01	12	1.5	0.3	40	32	12
YXR1370-02	14	2.5	0.45	45	38	14
YXR1370-03	16	3	0.65	50	40	16
YXR1370-04	18	3.5	0.85	56	42	18
YXR1370-05	22	5	1.5	63	46	22
YXR1370-06	24	6	2	68	50	24
YXR1370-07	28	8	3	78	56	28

◆ Ultimate Load is 4 times the Working Load Limit.

G80 SWIVEL

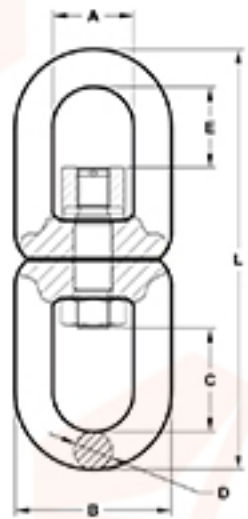


YXR1371

ITEM NO.	SIZE (IN)	WT (KG)	WLL (T)	BLL (T)	DIMENSIONS (MM)				
					A±1.2	B±1.5	E±1.5	L±3	D±1
YXR1371-01	1-1/2	13.55	17	85	72	148	61	435	37
YXR1371-02	1-3/4	15.95	25	125	80	168	68	464	43

◆ Ultimate Load is 5 times the Working Load Limit.

G80 SWIVEL WITH BEARING

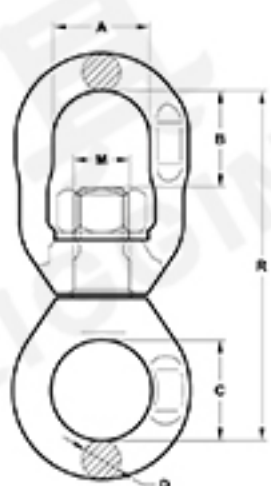


ITEM NO.	SIZE	WT (KG)	WLL (T)	BLL (T)	DIMENSIONS (MM)					
					A±1	B±2	E±1.5	C±1.5	D±1	L±2
YXR1372-01	10	1.85	3.15	12.6	38	76	34.5	51	19	209
YXR1372-02	13	5.5	5.3	21.2	60	116	60	77	28	312

◆ Ultimate Load is 4 times the Working Load Limit.



YXR1372



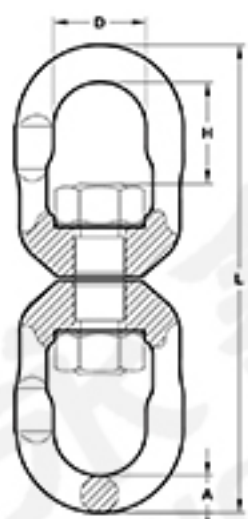
G80 EYE SWIVEL

ITEM NO.	SIZE	WT (KG)	WLL (T)	BLL (T)	DIMENSIONS (MM)					
					A±1.2	B±1.5	C±1	D±1	M	R±2.5
YXR1373-01	10	1.35	3.15	12.6	42	40	42	16	22	146
YXR1373-02	13	2.02	5.3	21.2	49	52.5	48	19	24	175
YXR1373-03	16	4.1	8.0	32	60	63	60	23	30	215
YXR1373-04	19	5.83	12.5	50	71	78	72	27	36	256

◆ Ultimate Load is 4 times the Working Load Limit.



YXR1373



G80 REGULAR SWIVEL

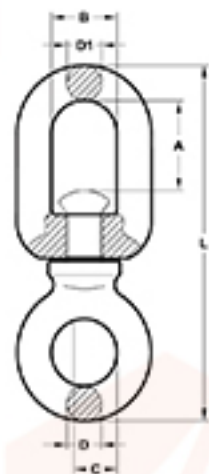
ITEM NO.	SIZE	WT (KG)	WLL (T)	BLL (T)	DIMENSIONS (MM)			
					A±1	D±1	H±1.5	L±2
YXR1374-01	7/8	0.6	2	8	12.5	35.5	28.5	164
YXR1374-02	10	1.5	3.15	12.6	15	42	34.5	194.5
YXR1374-03	13	1.75	5.3	21.2	21.2	50	43.5	216.5
YXR1374-04	16	4.52	8	32	32	61	56	289

◆ Ultimate Load is 4 times the Working Load Limit.



YXR1374

FORGED SWIVELS



YXR1375

ITEM NO.	SIZE (IN)	WT (KG)	DIMENSIONS (MM)					
			A±1	B±0.5	C±1	D±0.5	D1±0.5	L±2
YXR1375-01	9/16	0.58	41	29.5	30.5	15	14	158
YXR1375-02	5/8	0.85	45	34	34.5	16	16	176.5
YXR1375-03	3/4	1.39	51	38	38	20	19	201.5

◆ Ultimate Load is 4 times the Working Load Limit.

WELDED SWIVELS



YXR1376

ITEM NO.	SIZE	WT (KG)	WLL (T)	B.L (T)	DIMENSIONS (MM)				
					D±1	B±1.5	C±1	D1±1	L±2.5
YXR1376-01	16	0.85	2.4	12	22	32	32	16	150
YXR1376-02	19	1.33	3.8	19	28	40	42.5	19	188
YXR1376-03	22	2.56	5.3	26.5	47	48	57	22	250
YXR1376-04	25	4.0	7.2	36	37	53	63	25	265
YXR1376-05	28	4.9	9.0	45	37	52	65	28	280

◆ Ultimate Load is 4 times the Working Load Limit.

FORGED SWIVELS



YXR1377

ITEM NO.	SIZE	WT (KG)	WLL (T)	B.L (T)	DIMENSIONS (MM)				
					A±1	B±1.2	C±2	D±1	L±2
YXR1377-01	3T	4.4	3	12	38	58	70	29	254

◆ Ultimate Load is 4 times the Working Load Limit.