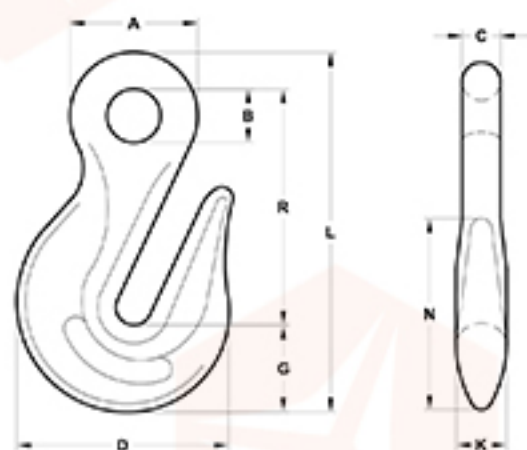


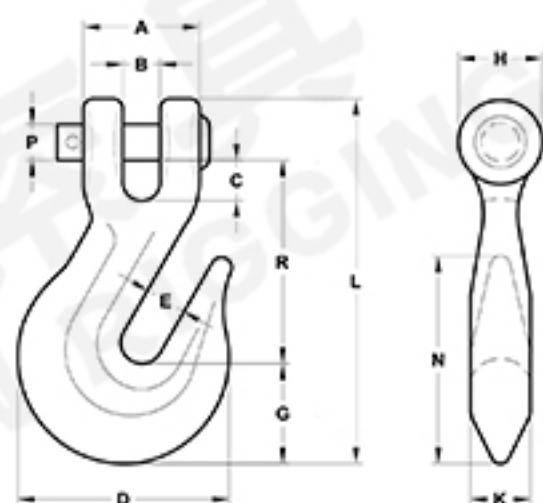
### US TYPE EYE GRAB HOOK



YXR1300

ITEM NO.	CHAIN SIZE (IN.)	WLL (LBS.)		WT (LBS.)	DIMENSIONS (IN.)									
		CARBON (G43)	ALLOY (G70)		A	B	C	D	E	G	K	L	N	R
YXR1300-01	1/4	2600	3500	0.28	1.09	0.53	0.31	1.81	0.34	0.88	0.47	3.05	1.75	1.88
YXR1300-02	5/16	3900	4700	0.45	1.31	0.62	0.38	2.12	0.44	0.97	0.59	3.59	2.06	2.28
YXR1300-03	3/8	5400	7100	0.79	1.56	0.75	0.44	2.53	0.50	1.17	0.72	4.28	2.34	2.69
YXR1300-04	1/2	9200	12000	1.75	1.94	0.88	0.53	3.56	0.66	1.53	0.78	5.44	2.97	3.38
YXR1300-05	5/8	13000	18100	3.25	2.38	1.06	0.66	4.41	0.78	1.89	1.00	6.66	3.78	4.11
YXR1300-06	3/4	20200	24700	5.95	2.88	1.38	0.75	5.22	0.94	2.13	1.31	8.06	5.09	5.16

◆ G43: Ultimate Load is 3 times the Working Load Limit; G70: Ultimate Load is 4 times the Working Load Limit.

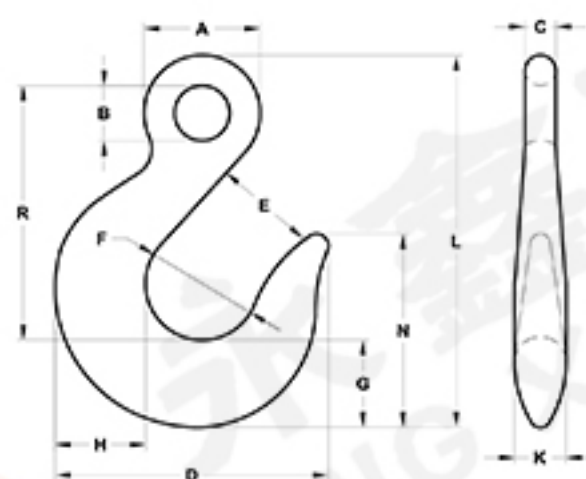


YXR1301

### US TYPE CLEVIS HOOK

ITEM NO.	CHAIN SIZE (IN.)	WLL (LBS.)		WT (LBS.)	DIMENSIONS (IN.)											
		CARBON (G43)	ALLOY (G70)		A	B	C	D	E	G	H	K	L	N	P	R
YXR1301-01	1/4	2600	3500	0.36	1.00	0.32	0.31	1.81	0.34	0.88	0.72	0.47	3.05	1.75	0.31	1.64
YXR1301-02	5/16	3900	4700	0.62	1.22	0.43	0.36	2.12	0.44	0.97	0.91	0.59	3.66	2.06	0.38	2.02
YXR1301-03	3/8	5400	7100	1.00	1.42	0.48	0.49	2.53	0.50	1.17	1.00	0.72	4.42	2.34	0.44	2.41
YXR1301-04	7/16	7200	8750	1.31	1.66	0.66	0.62	3.09	0.56	1.31	1.13	0.69	4.94	2.66	0.56	2.75
YXR1301-0	1/2	9200	12000	2.22	1.88	0.57	0.51	3.56	0.66	1.53	1.25	0.78	5.72	2.97	0.63	3.19
YXR1301-06	5/8	13000	18100	4.41	2.31	0.71	0.67	4.39	0.78	1.78	1.56	1.09	6.83	4.31	0.75	4.09
YXR1301-07	3/4	20200	24700	6.50	2.62	0.94	0.94	5.22	0.94	2.13	1.88	1.31	8.13	5.09	0.88	4.63

◆ G43: Ultimate Load is 3 times the Working Load Limit; G70: Ultimate Load is 4 times the Working Load Limit.



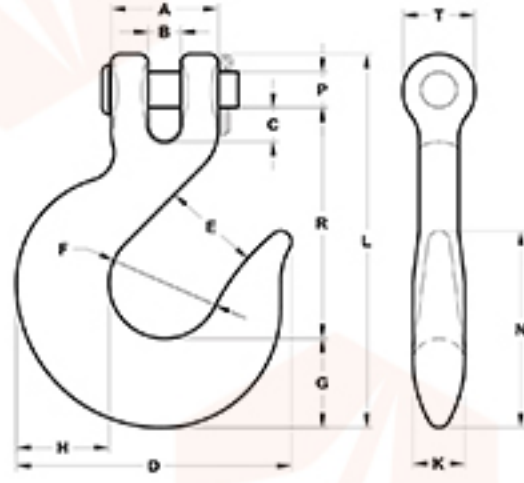
YXR1302

### US TYPE EYE SLIP HOOK WITH OR WITHOUT LATCH

ITEM NO.	CHAIN SIZE (IN.)	WLL (LBS.)		WT (LBS.)	DIMENSIONS (IN.)											
		CARBON (G43)	ALLOY (G70)		A	B	C	D	E	F	G	H	K	L	N	R
YXR1302-01	1/4	1950	2750	0.40	1.06	0.50	0.28	2.75	0.94	1.19	0.81	0.88	0.50	3.66	2.13	2.56
YXR1302-02	5/16	2875	4300	0.64	1.25	0.63	0.34	3.06	1.06	1.25	0.94	1.00	0.56	4.23	2.25	2.95
YXR1302-03	3/8	4000	5250	1.10	1.53	0.72	0.41	3.63	1.31	1.50	1.13	1.19	0.66	4.89	2.56	3.36
YXR1302-04	7/16	5000	7000	1.56	1.69	0.81	0.44	4.34	1.56	1.81	1.38	1.44	0.81	5.70	3.06	3.88
YXR1302-05	1/2	6500	9000	2.09	1.94	0.94	0.50	4.81	1.69	1.94	1.56	1.63	0.91	6.34	3.44	4.28
YXR1302-06	5/8	9250	13500	3.90	2.38	1.13	0.63	5.63	2.00	2.38	1.81	1.94	1.09	7.86	4.00	5.22
YXR1302-07	3/4	12500	19250	6.93	2.88	1.38	0.75	6.75	2.13	2.75	2.19	2.31	1.31	8.73	4.75	5.80

◆ G43: Ultimate Load is 3 times the Working Load Limit; G70: Ultimate Load is 4 times the Working Load Limit.

### US TYPE CLEVIS SLIP HOOK WITH OR WITHOUT LATCH

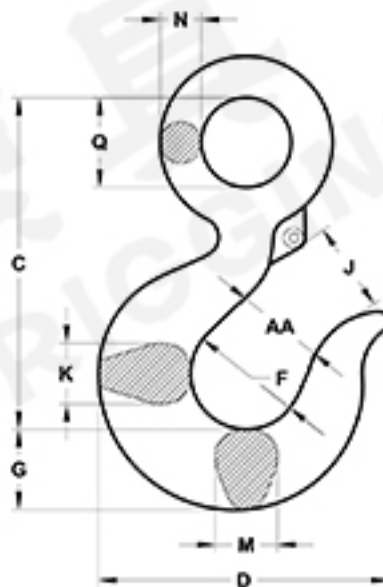


YXR1303

ITEM NO.	CHAIN SIZE (IN.)	WLL (LBS.)		WT (LBS.)	DIMENSIONS (IN.)													
		CARBON (G43)	ALLOY (G70)		A	B	C	D	E	F	G	H	K	L	N	P	R	T
YXR1303-01	1/4	1950	2750	0.55	1.06	0.32	0.29	2.75	0.94	0.88	0.81	0.88	0.50	3.95	2.13	0.31	2.58	0.81
YXR1303-02	5/16	2875	4300	0.79	1.22	0.43	0.34	3.06	1.06	0.97	0.94	1.00	0.56	4.52	2.25	0.38	2.87	0.97
YXR1303-03	3/8	4000	5250	1.21	1.38	0.48	0.44	3.63	1.31	1.17	1.13	1.19	0.66	5.15	2.56	0.44	3.25	1.06
YXR1303-04	7/16	5000	7000	2.06	1.73	0.66	0.60	4.34	1.56	1.31	1.38	1.44	0.81	5.97	3.06	0.56	3.70	1.19
YXR1303-05	1/2	6500	9000	2.75	1.88	0.57	0.53	4.81	1.69	1.53	1.56	1.63	0.91	6.53	3.44	0.63	4.00	1.31
YXR1303-06	5/8	9250	13500	4.75	2.31	0.71	0.71	5.63	2.00	1.78	1.81	1.94	1.09	7.89	4.00	0.75	4.94	1.56
YXR1303-07	3/4	-	19250	11.28	3.19	0.94	1.29	7.38	2.50	2.13	2.38	2.50	1.44	10.0	5.06	1.00	6.09	2.09

◆ G43: Ultimate Load is 3 times the Working Load Limit; G70: Ultimate Load is 4 times the Working Load Limit.

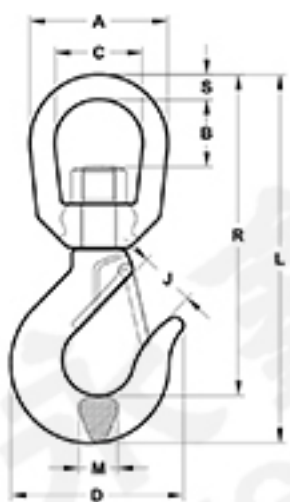
### US TYPE EYE HOIST HOOKS WITH OR WITHOUT LATCH



YXR1304

ITEM NO.	WLL (T)		WT (LBS.)	DIMENSIONS (IN.)									
	CARBON (G43)	ALLOY (G70)		C	D	F	G	J	K	M	N	Q	AA
YXR1304-01	3/4	1	0.61	3.34	2.83	1.25	0.73	0.90	0.63	0.63	0.36	0.75	1.50
YXR1304-02	1	1-1/2	0.89	3.81	3.11	1.38	0.84	0.93	0.71	0.71	0.42	0.91	2.00
YXR1304-03	1-1/2	2	1.44	4.14	3.53	1.50	1.00	1.00	0.88	0.88	0.55	1.13	2.00
YXR1304-04	2	3	2.07	4.69	3.97	1.63	1.13	1.13	0.94	0.94	0.58	1.25	2.00
YXR1304-05	3	5	4.30	5.77	4.81	2.00	1.44	1.47	1.31	1.31	0.72	1.56	2.50
YXR1304-06	5	7	8.30	7.37	6.27	2.50	1.81	1.75	1.66	1.66	0.90	2.00	3.00
YXR1304-07	7-1/2	11	15.00	9.07	7.45	3.00	2.25	2.29	1.88	1.63	1.11	2.44	4.00
YXR1304-08	10	15	20.77	10.08	8.30	3.25	2.59	2.50	2.19	1.94	1.27	2.84	4.00
YXR1304-09	15	22	39.50	12.53	10.30	4.25	3.00	3.30	2.69	2.38	1.56	3.50	5.00
YXR1304-10	20	30	60.00	14.06	13.62	5.00	3.62	4.00	3.00	3.00	1.75	3.50	6.50
YXR1304-11	25	37	105.00	18.19	14.06	5.38	4.56	4.25	3.75	3.19	2.00	4.50	7.00
YXR1304-12	30	45	148.00	20.12	15.44	6.00	5.06	4.75	4.50	3.25	2.18	4.94	8.00
YXR1304-13	40	60	228.00	23.72	18.50	7.00	6.00	5.75	5.50	3.91	2.53	5.69	10.00

### US TYPE SWIVEL HOOK WITH LATCH OR WITHOUT LATCH

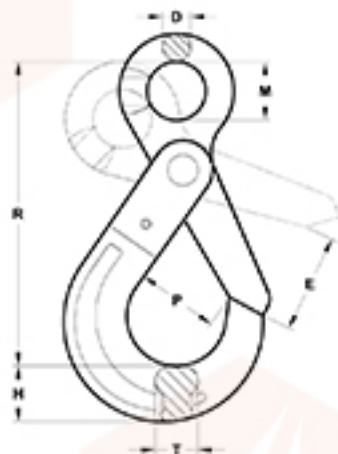


YXR1305

ITEM NO.	WLL (T)		WT (LBS.)	DIMENSIONS (IN.)								
	CARBON	ALLOY		A	B	C	D	J	L	M	R	S
YXR1305-01	3/4	1	0.75	2.00	0.82	1.25	2.86	0.93	5.66	0.63	4.55	0.38
YXR1305-02	1	1-1/2	1.25	2.50	1.31	1.50	3.15	0.97	6.71	0.71	5.37	0.50
YXR1305-03	1-1/2	2	2.25	3.00	1.50	1.75	3.56	1.06	7.75	0.88	6.12	0.63
YXR1305-04	2	3	2.30	3.00	1.50	1.75	4.00	1.19	8.25	0.94	6.50	0.63
YXR1305-05	3	5	4.96	3.50	1.64	2.00	4.84	1.50	9.69	1.13	7.50	0.75
YXR1305-06	5	7	10.29	4.56	2.29	2.50	6.28	1.78	12.47	1.44	9.63	1.00
YXR1305-07	7-1/2	11	19.40	5.00	2.44	2.75	7.54	2.41	14.75	1.63	11.37	1.13
YXR1305-08	10	15	23.25	5.62	2.48	3.12	8.34	2.62	16.40	1.94	12.25	1.25
YXR1305-09	15	22	47.00	7.10	3.76	4.10	10.34	3.41	21.34	2.38	16.71	1.50
YXR1305-10	-	30	70.50	7.10	3.76	4.10	13.62	4.00	23.25	3.00	18.01	1.50

◆ G43: Ultimate Load is 5 times the Working Load Limit; G70: Ultimate Load is 4 times the Working Load Limit.

### G80 EYE SELFLOCK HOOK

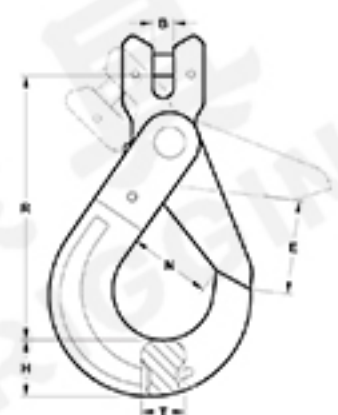


YXR1306

ITEM NO.	SIZE	WT (KG)	WLL (T)	BLL (T)	DIMENSIONS (MM)						
					M±1	R±2.5	D±1	P±1	H±1	E±2	T±1
YXR1306-01	6-8	0.5	1.12	4.48	22	110.5	10	34	19.5	28	15
YXR1306-02	7/8-8	0.8	2	8	25	136	12	46	24	34	20
YXR1306-03	10-8	1.43	3.15	12.6	32	171	15	56	30	44	26
YXR1306-04	13-8	2.86	5.3	21.2	40.5	208.5	19.5	69	40	52	30
YXR1306-05	16-8	5.64	8	32	56	257.5	22	86	50.5	60	36
YXR1306-06	20-8	7.6	12.5	50	64.5	275	27	100	55	81	48
YXR1306-07	22-8	13	15	60	70	320	30	98	67	82	49
YXR1306-08	26-8	18	21.2	84.8	80	363	34	110	75	110	56
YXR1306-09	32-8	44.5	31.5	126	105	472	45	166	97	168	63

◆ Ultimate Load is 4 times the Working Load Limit.

### G80 CLEVIS SELFLOCK HOOK

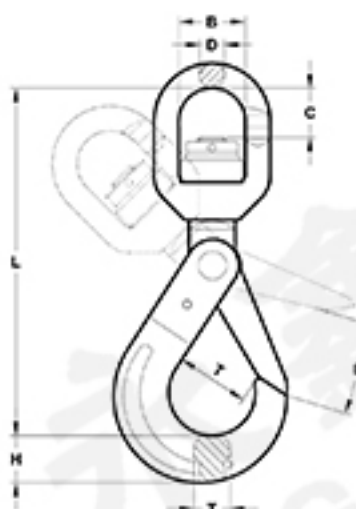


YXR1307

ITEM NO.	SIZE	WT (KG)	WLL (T)	BLL (T)	DIMENSIONS (MM)					
					E±2	B±0.5	H±1	N±1	R	T±1
YXR1307-01	6-8	0.5	1.12	4.48	29	8.5	19.5	34	95.5	15
YXR1307-02	7/8-8	0.8	2	8	34	9.5	24	46	121	20
YXR1307-03	10-8	1.5	3.15	12.6	44	12	30	56	146	26
YXR1307-04	13-8	2.8	5.3	21.2	52	15	40	69	182	30
YXR1307-05	16-8	5.6	8	32	60	18	50.5	86	218	36
YXR1307-06	20-8	7.5	12.5	50	83	25	55	100	240	48
YXR1307-07	22-8	11.5	15	60	88	25.5	67	98	276.5	49
YXR1307-08	26-8	18.5	21.2	84.8	95.5	30	75	110	310.5	56
YXR1307-09	32-8	49.1	31.5	126	160	36	97	166	400.5	63

◆ Ultimate Load is 4 times the Working Load Limit.

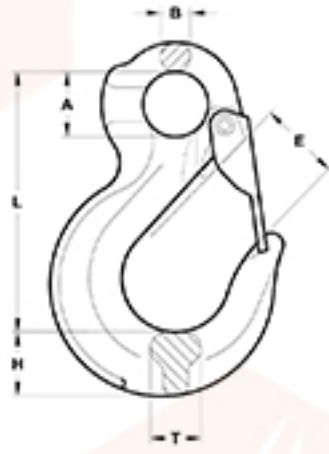
### G80 SWIVEL SELFLOCK HOOK



YXR1308

ITEM NO.	SIZE	WT (KG)	WLL (T)	BLL (T)	DIMENSIONS (MM)						
					B±1	C±2.5	D±1	L±2	T±1.5	H±1	E±2
YXR1308-01	6-8	0.71	1.12	4.48	32.5	22	11.25	150.5	34	19.5	29
YXR1308-02	7/8-8	1.1	2	8	35.5	26	12.5	186	46	24	34
YXR1308-03	10-8	2.0	3.15	12.6	42	34	15	217	56	30	44
YXR1308-04	13-8	4.0	5.3	21.2	50	38.5	16	262	69	40	52
YXR1308-05	16-8	7.3	8	32	61	55	21.5	332.5	86	50.5	60
YXR1308-06	20-8	11.6	12.5	50	72	61	26	363	100	55	83
YXR1308-07	22-8	16.0	15	60	95	95	33	351	98	67	88
YXR1308-08	26-8	21.5	21.2	84.8	122	115	42	452	110	75	95.5
YXR1308-09	32-8	79	31.5	126	140	126	52	680	166	97	150

◆ Ultimate Load is 4 times the Working Load Limit.

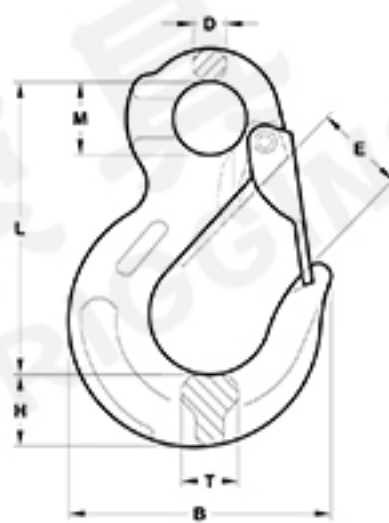


YXR1309

### G80 EYE SLING HOOK WITH CAST LATCH

ITEM NO.	SIZE	WT (KG)	WLL (T)	BLL (T)	DIMENSIONS (MM)					
					B ± 2	E ± 1	H ± 1	L ± 1	A ± 1	T ± 1
YXR1309-01	6-8	0.3	1.12	4.48	29	24	20	88	20	16
YXR1309-02	7/8-8	0.4	2	8	34	30	23	112	25	20
YXR1309-03	10-8	0.9	3.15	12.6	44	34	31	136	38	23
YXR1309-04	13-8	1.7	5.3	21.2	52	39	38	175	43	28
YXR1309-05	16-8	3.2	8	32	60	46	47	208	50	32
YXR1309-06	20-8	5.8	12.5	50	83	48	48	257	63	43
YXR1309-07	22-8	8.5	15	60	88	71	62	286	62	50
YXR1309-08	26-8	13	21.2	84.8	95.5	81	80	314	64	60
YXR1309-09	32-8	17	31.5	126	160	102	86	394	88	65

◆ Ultimate Load is 4 times the Working Load Limit.

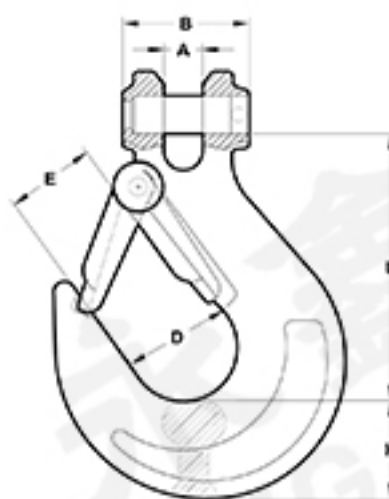


YXR1310

### G80 EYE SLING HOOK WITH CAST LATCH

ITEM NO.	SIZE	WT (KG)	WLL (T)	BLL (T)	DIMENSIONS (MM)						
					D ± 1	E ± 1	H ± 1	L ± 2	M ± 1	T ± 1	B ± 1
YXR1310-01	6-8	0.3	1.12	4.48	9	18.5	20	89	20.5	16	68
YXR1310-02	7/8-8	0.55	2	8	11	22	27	106.5	25	20	84
YXR1310-03	10-8	1.05	3.15	12.6	14	28	33	134.5	34	23	102.5
YXR1310-04	13-8	1.75	5.3	21.2	17.5	35	40	167.5	42.5	28	128.5
YXR1310-05	16-8	3.2	8	32	22	43	48	205	52	32	156.5
YXR1310-06	20-8	5.3	12.5	50	26	51.5	56	244	62	43	187

◆ Ultimate Load is 4 times the Working Load Limit.

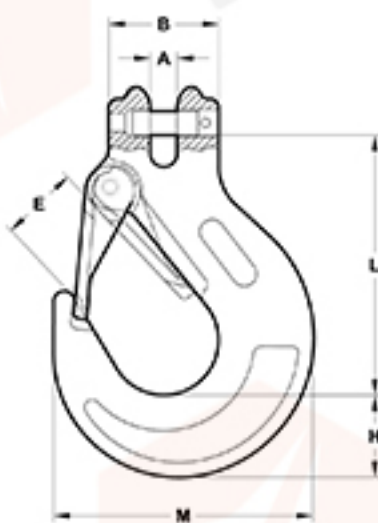


YXR1311

### G80 CLEVIS SELFLOCK HOOK WITH CAST LATCH

ITEM NO.	SIZE	WT (KG)	WLL (T)	BLL (T)	DIMENSIONS (MM)					
					A ± 0.5	B ± 1.5	D ± 1	H ± 1	L ± 2	E ± 1
YXR1311-01	6-8	0.32	1.12	4.48	8	32	35	23	76	26
YXR1311-02	7/8-8	0.48	2	8	9.5	37	37	32.5	85.5	29
YXR1311-03	10-8	0.95	3.15	12.6	13	49	46	35	104	39
YXR1311-04	13-8	1.8	5.3	21.2	16.5	56.5	56	42.5	128	47
YXR1311-05	16-8	3.4	8	32	21.5	70.5	60	54	150	55
YXR1311-06	20-8	6	12.5	50	24	77	79	58	180	61
YXR1311-07	22-8	10.4	15	60	27	91	101	62	213	72
YXR1311-08	26-8	14.5	21.2	84.8	30	117	115	75	250	85
YXR1311-09	32-8	27	31.5	126	35	150	140	88	317	106

◆ Ultimate Load is 4 times the Working Load Limit.



YXR1312

### G80 CLEVIS SELFLOCK HOOK WITH CAST LATCH

ITEM NO.	SIZE	WT (KG)	WLL (T)	BLL (T)	DIMENSIONS (MM)					
					A±0.5	B±1.2	E±1	H±2	L±2	M±2
YXR1312-01	6-8	0.3	1.12	4.48	7.5	32	19.5	20	88	68
YXR1312-02	7/8-8	0.55	2	8	9.5	38.5	24	25	106	85.5
YXR1312-03	10-8	0.96	3.15	12.6	13	48	28	36	127.5	106
YXR1312-04	13-8	1.52	5.3	21.2	16.5	55	34.5	41.6	154.4	130
YXR1312-05	16-8	3.43	8	32	18.5	65.5	43	46.2	189.8	155.5
YXR1312-06	20-8	6.73	12.5	50	24	92	51.5	51	230	180

◆ Ultimate Load is 4 times the Working Load Limit.

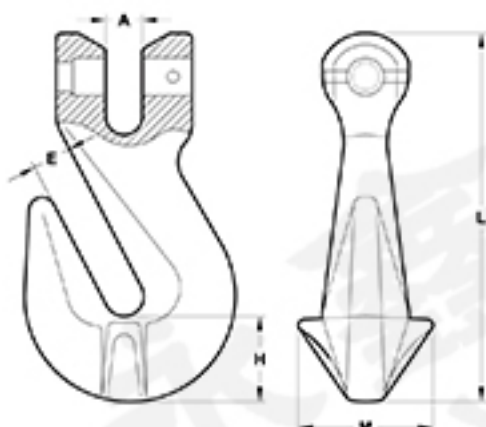


YXR1313

### G80 CONTAINER HOOK

ITEM NO.	SIZE (MM)	WT (KG)	WLL (T)	BLL (T)	DIMENSIONS (MM)					
					A	B	E	H	M	L
YXR1313-01	13	1.5	5	20	7.5	32	19.5	20	88	68

◆ Ultimate Load is 4 times the Working Load Limit.



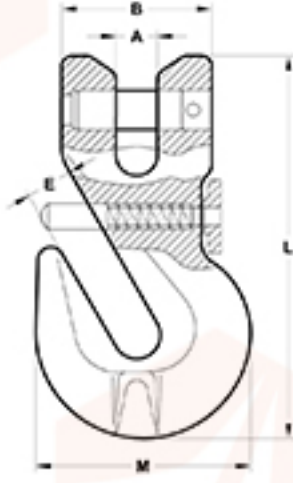
YXR1314

### G80 CLEVIS GRAB HOOK

ITEM NO.	SIZE	WT (KG)	WLL (T)	BLL (T)	DIMENSIONS (MM)				
					E±1	A±0.5	H±1	W±1	L±2
YXR1314-01	6-8	0.25	1.12	4.48	8.3	8	17.7	26.7	75
YXR1314-02	7/8-8	0.32	2	8	11	9.5	18.5	33.5	89
YXR1314-03	10-8	0.73	3.15	12.6	13	12.5	29	46	126
YXR1314-04	13-8	1.6	5.3	21.2	16.5	15	42.7	57.5	163.5
YXR1314-05	16-8	2.8	8	32	19	18.5	45	74	183.5
YXR1314-06	20-8	5	12.5	50	24	23	56	74	219
YXR1314-07	22-8	6.3	15	60	27	27	68.5	90	254
YXR1314-08	26-8	14.5	21.2	84.8	30	30	77	102	309

◆ Ultimate Load is 4 times the Working Load Limit.

### G80 CLEVIS GRAB HOOK WITH SAFETY PIN

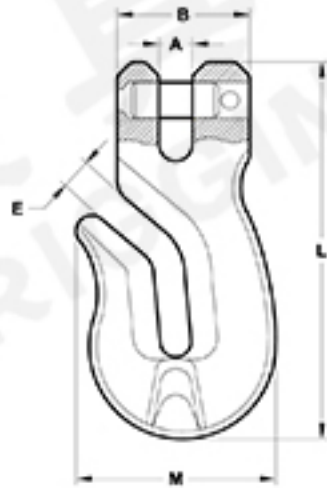


YXR1315

ITEM NO.	SIZE	WT (KG)	WLL (T)	BLL (T)	DIMENSIONS (MM)				
					A±0.5	B±1.2	E±0.5	M±2	L±2
YXR1315-01	6-8	0.28	1.12	4.48	8	32	8	43.5	75
YXR1315-02	7/8-8	0.33	2	8	9.5	35	11	19.5	89
YXR1315-03	10-8	0.88	3.15	12.6	12.5	42.5	13.2	70.5	126.5
YXR1315-04	13-8	1.85	5.3	21.2	15	63	16.5	90	163.5
YXR1315-05	16-8	3.24	8	32	19.5	65.5	19.2	112.5	183.5

◆ Ultimate Load is 4 times the Working Load Limit.

### G80 DEEP THROAT CLEVIS GRAB HOOK

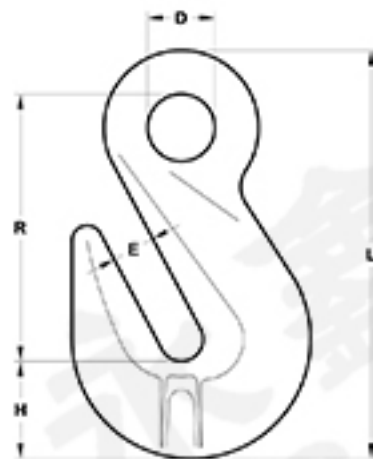


YXR1316

ITEM NO.	SIZE	WT (KG)	WLL (T)	BLL (T)	DIMENSIONS (MM)				
					A±0.5	B±1	E±0.5	M±2	L±2.5
YXR1316-01	6-8	0.19	1.12	4.48	7.5	31.5	7.5	45	85
YXR1316-02	7/8-8	0.35	2	8	9	37.5	10	57	106
YXR1316-03	10-8	0.75	3.15	12.6	12.5	47.5	13	74	127
YXR1316-04	13-8	1.63	5.3	21.2	15	58.5	15.5	89	165.5

◆ Ultimate Load is 4 times the Working Load Limit.

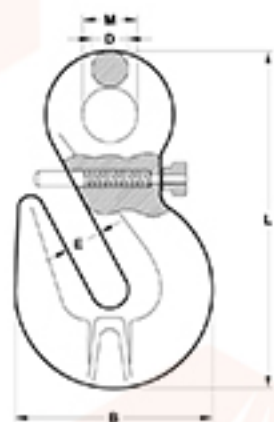
### G80 EYE SHORTENING GRAB HOOK



YXR1317

ITEM NO.	SIZE	WT (KG)	WLL (T)	BLL (T)	DIMENSIONS (MM)				
					E±0.5	D±1	H±1	R±2	L±2
YXR1317-01	6-8	0.14	1.12	4.48	8	13.5	17.9	51.4	75.3
YXR1317-02	7/8-8	0.245	2	8	10.8	18	20	61.5	91.2
YXR1317-03	10-8	0.65	3.15	12.6	13	20	29	80	122
YXR1317-04	13-8	1.39	5.3	21.2	16.5	26	42.8	99.7	158
YXR1317-05	16-8	2.2	8	32	20	30.5	47.7	104	169
YXR1317-06	20-8	4.6	12.5	50	25	37.5	56	140	219
YXR1317-07	22-8	8.2	15	60	28	44	68	165	259
YXR1317-08	26-8	9.8	21.2	84.8	30	44	77	188.8	298
YXR1317-09	32-8	19.4	31.5	126	38	57	95	228	361

◆ Ultimate Load is 4 times the Working Load Limit.



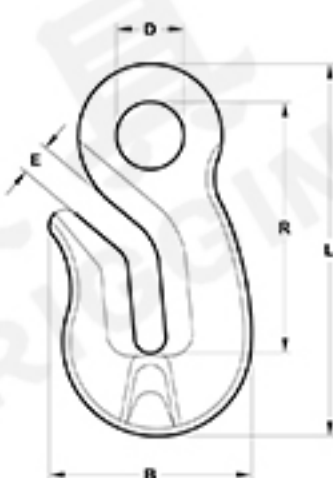
### G80 EYE SHORTENING GRAB HOOK WITH SAFETY PIN

ITEM NO.	SIZE	WT (KG)	WLL (T)	BLL (T)	DIMENSIONS (MM)				
					M±1	B±1.5	D±1	E±0.5	L±2
YXR1318-01	7/8-8	0.29	2	8	17	50	9.5	11	88.5
YXR1318-02	10-8	0.75	3.15	12.6	20	71	13	13	121.5
YXR1318-03	13-8	1.62	5.3	21.2	26	96	15.5	16.5	158

◆ Ultimate Load is 4 times the Working Load Limit.



YXR1318



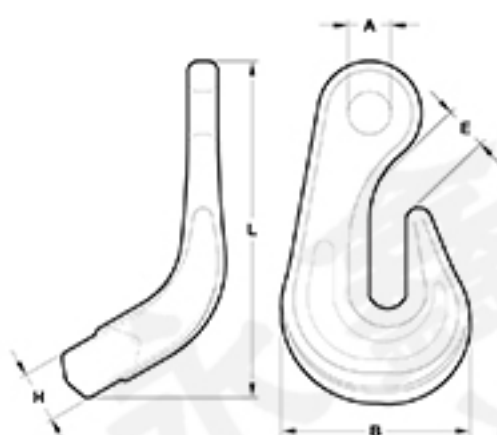
### G80 DEEP THROAT EYE GRAB HOOK

ITEM NO.	SIZE	WT (KG)	WLL (T)	BLL (T)	DIMENSIONS (MM)				
					D±1	E±0.3	B±1.2	R±1.5	L±1.5
YXR1319-01	6-8	0.16	1.12	4.48	15	7	45	56	83
YXR1319-02	7/8-8	0.35	2	8	16	9.6	52	75.3	106.5
YXR1319-03	10-8	0.75	3.15	12.6	21	13	66	84.5	124.5

◆ Ultimate Load is 4 times the Working Load Limit.



YXR1319



### EYE BEND HOOK

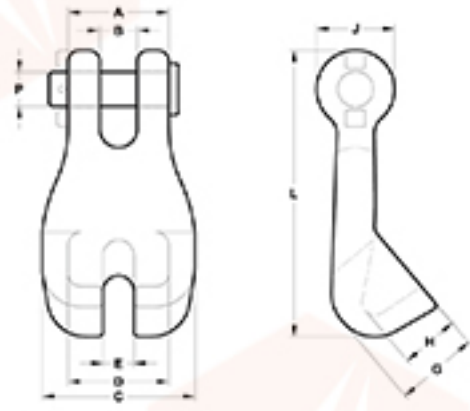
ITEM NO.	SIZE	WT (KG)	WLL (T)	BLL (T)	DIMENSIONS (MM)				
					A±1	B±2	E±0.5	L±2	H±1
YXR1320-01	1.86T	0.4	1.86	7.44	13	57	15	100	18.5
YXR1320-02	2T	0.5	2	8	13	58	10	105	20
YXR1320-03	5T	1.7	5	20	20	92.5	16	170	30

◆ Ultimate Load is 4 times the Working Load Limit.



YXR1320

### AUSTRALIA TYPE CLEVIS CLAW HOOK



ITEM NO.	SIZE (MM)	WLL (LBS)	WT (KG)	DIMENSIONS (MM)									
				A	B	C	D	E	J	G	H	L	P
YXY1321-01	7-8	3800	0.55	31	11.5	47	31	9.5	24	25.5	18	88.3	9.6
YXY1321-02	10	6000	0.59	33	12.5	55	17	11.5	27	30	21	103.3	12

◆ Ultimate Load is 2 times the Working Load Limit.



YXR1321



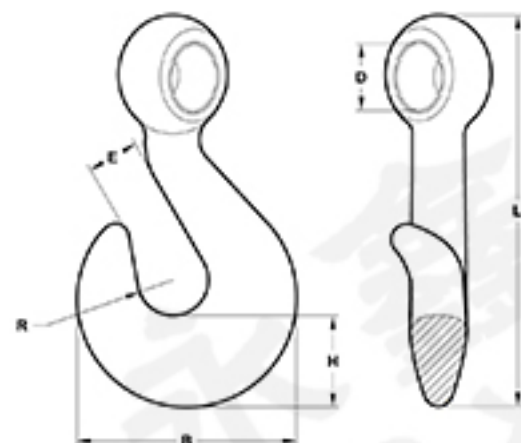
### G80 TRACTOR HOOK

ITEM NO.	SIZE	WT (KG)	WLL (T)	BLL (T)	DIMENSIONS (MM)				
					A±1	D±0.6	L±2	B±2	E±0.5
YXR1322-01	8.5T	5.45	8.5	34	70	30	270.5	145.3	40

◆ Ultimate Load is 4 times the Working Load Limit.



YXR1322



### EYE TWIST HOOK

ITEM NO.	SIZE	WT (KG)	WLL (T)	BLL (T)	DIMENSIONS (MM)					
					E±1	R±1	B±2	H±1.5	L±2.5	D±0.5
YXR1323-01	8T	6.12	8	32	39	27.5	170	70.4	303	44.5

◆ Only for Lashing and Pulling Not For Lifting.



YXR1323





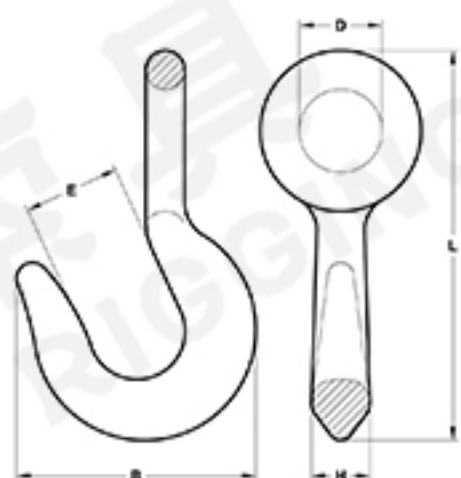
### HEAVY WINCH HOOK

ITEM NO.	SIZE (IN)	WT (KG)	WLL (T)	BLL (T)	DIMENSIONS (MM)					
					M±1	E±1	D±1	H±1.2	B±2	L±2
YXR1324-01	1-1/8	1.09	5.3	21.6	35.5	33	24	60.3	140	207

◆ Ultimate Load is 4 times the Working Load Limit.



YXR1324



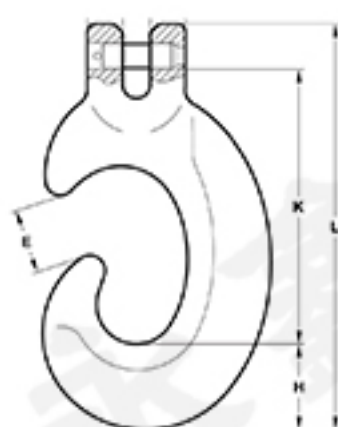
### ROUND REVERSE EYE HOOK

ITEM NO.	SIZE	WT (KG)	WLL (T)	BLL (T)	DIMENSIONS (MM)				
					D±1	B±2	E±1	L±2	H±1
YXR1325-01	6#	0.8	1.5	6	34	98	39	160	24
YXR1325-02	7#	1.14	2	8	36	116	50	192	25

◆ Not For Lifting.



YXR1325



### G80 CLEVIS C HOOK

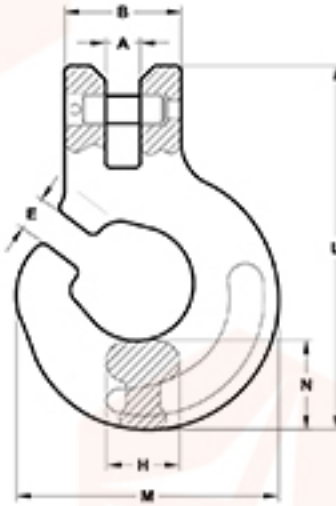
ITEM NO.	SIZE	WT (KG)	WLL (T)	BLL (T)	DIMENSIONS (MM)					
					A±0.5	E±1	B±1.5	H±1	K±2	L±2.5
YXR1326-01	7/8	0.57	2	8	9.5	20	35	28	90	136
YXR1326-02	10	1.4	3.15	12.6	13	29.5	46	39.5	127	189
YXR1326-03	13	3.0	5.3	21.2	16.5	39.5	59	52	166.5	246
YXR1326-04	16	5.42	8	32	18.5	46.5	72	59	206	298

◆ Ultimate Load is 4 times the Working Load Limit.



YXR1326

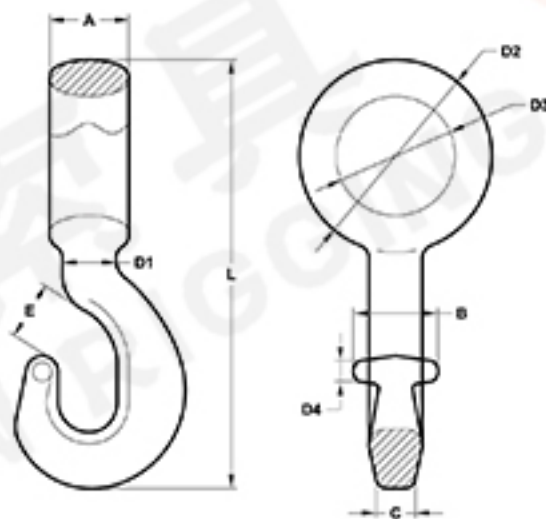
### G80 CLEVIS FOREST HOOK



**YXR1327**

ITEM NO.	SIZE	WT (KG)	WLL (T)	BLL (T)	DIMENSIONS (MM)						
					B±1.2	A±0.5	E±0.5	H±1	M±2	N±0.5	L±2
YXR1327-01	6	0.413	1.12	4.48	31	8.5	8.5	18	66.5	24.5	83
YXR1327-02	7/8	0.413	2	8	35	9.5	10.5	18	72.7	22.2	95.5
YXR1327-03	10	0.92	3.15	12.6	44	13	13	22	97	33.5	137
YXR1327-04	13	1.75	5.3	21.2	53	15	16	30	119	40	165

- ◆ Not for Lifting only for logging.
- ◆ Ultimate Load is 4 times the Working Load Limit.

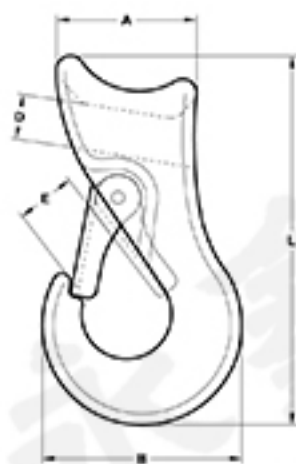


**YXR1328**

### G80 TWIST EYE CHOKE HOOK

ITEM NO.	SIZE	WT (KG)	WLL (T)	BLL (T)	DIMENSIONS (MM)								
					A±1	B±1	C±0.5	D1±1	D2±1.5	D3±1.5	D4	E±0.5	L±2
YXR1328-01	7/8-8	0.36	2	8	19	28	6.5	17	52	30.5	7.5	16	123
YXR1328-02	10-8	0.72	3.2	12.8	26	40	17.5	20	68	39	8	20	157
YXR1328-03	13-8	1.4	5.4	21.6	34	43	21	25	85	52	9.5	27	195
YXR1328-04	16-8	3.17	8.2	32.8	51	45.5	31	30	108	64	10.5	30	246
YXR1328-05	18-8	3.8	10	40	49.5	53	22	33.5	121	75	12	37	268
YXR1328-06	20/22-8	8.95	15.3	61.2	70	80	14	52	146	84	14	47	367

- ◆ Ultimate Load is 4 times the Working Load Limit.



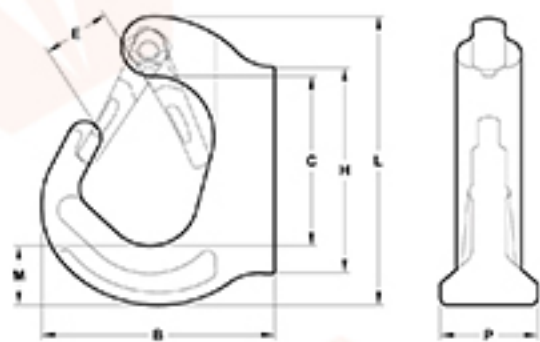
**YXR1329**

### G80 SLIDING EYE CHOKE HOOK

ITEM NO.	SIZE (IN)	WT (KG)	WLL (T)	BLL (T)	DIMENSIONS (MM)				
					D±0.5	A±1.5	B±1.5	E±2	L±3
YXR1329-01	3/8-1/2	0.68	1.6	8	17	50	71	21	132
YXR1329-02	5/8	1.21	2	10	22	63.5	79	23	151.5
YXR1329-03	3/4	1.99	3	15	28	69	103	29	170
YXR1329-04	1	4.18	5	25	32.5	85.7	135	38	213

- ◆ Ultimate Load is 4 times the Working Load Limit.

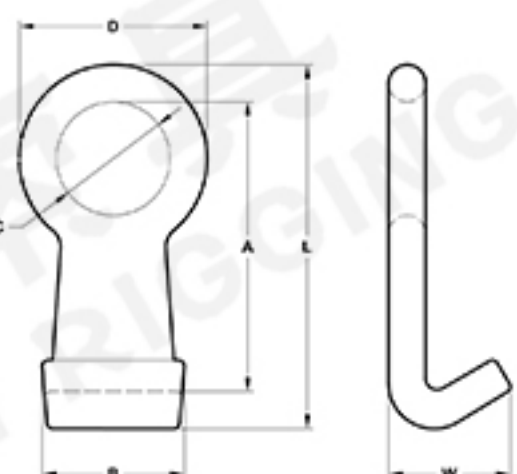
### G80 CLEVIS C HOOK



YXR1330

ITEM NO.	SIZE	WT (KG)	WLL (T)	BLL (T)	DIMENSIONS (MM)						
					B±1.5	C±1.2	E±0.5	H±2	M±1	P±1	L ± 2
YXR1330-01	2T	0.83	2	10	92	67	30	81	23.3	34	114
YXR1330-02	3T	1.2	3	15	106	73.5	33.2	116	33.6	36	129
YXR1330-03	5T	2.46	5	25	133	94	35	159	44	43.5	171
YXR1330-04	8T	3.26	8	40	136.5	94	33.31	159	44	51	177
YXR1330-05	10T	5.17	10	50	169.5	134.5	50.54	194	54.7	53	223

◆ Ultimate Load is 5 times the Working Load Limit.

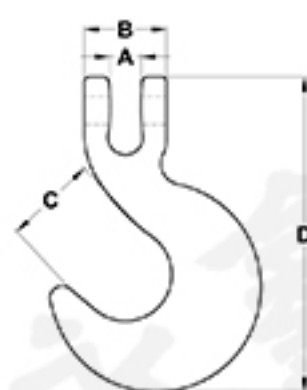


YXR1331

### FORGED BARREL HOOK

ITEM NO.	SIZE	WT (KG)	WLL (T)	BLL (T)	DIMENSIONS (MM)					
					A±2	B±2	C±1	D±1.2	L±2	W±2
YXR1331-01	1T	0.7	1	4	109	60	38	64.5	118.5	59
YXR1331-02	2T	0.55	2	8	102	50	40	66	128	43

◆ Ultimate Load is 4 times the Working Load Limit.



YXR1332

### G80 CONTAINER HOOK

ITEM NO.	SIZE	WT (KG)	WLL (T)	BLL (T)	DIMENSIONS (MM)			
					A	B	C	D
YXR1332-01	13mm	1.41	5	20	17.6	47	53	180

◆ Ultimate Load is 4 times the Working Load Limit.



YXR1333

### G80 LASHING TYPE C HOOK WITH SPRING PIN

ITEM NO.	SIZE (MM)	WT (KG)	WLL (T)	BLL (T)	DIMENSIONS (MM)			
					L±2	A±0.3	B±1.5	R±1
YXR1333-01	9	0.5	2.5	10	143	13.5	90.5	18.5
YXR1333-02	11	0.85	3.75	15	177	15.5	109.5	22
YXR1333-03	13	1.38	5.4	21.6	205	15.7	129	25.5

◆ Ultimate Load is 4 times the Working Load Limit.

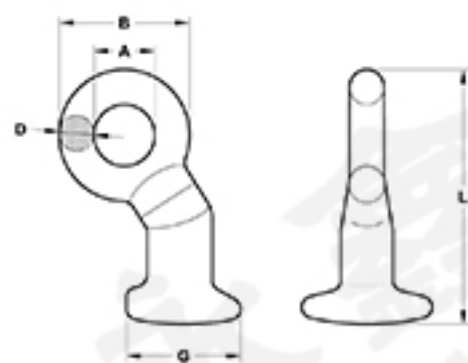


YXR1334

### G80 CLEVIS ELEPHANT FOOT

ITEM NO.	SIZE (MM)	WT (KG)	WLL (T)	DIMENSIONS (MM)			
				A	B	D	L
YXR1334-01	13	0.97	5	16	46	59	103.4

◆ Ultimate Load is 4 times the Working Load Limit.



YXR1335

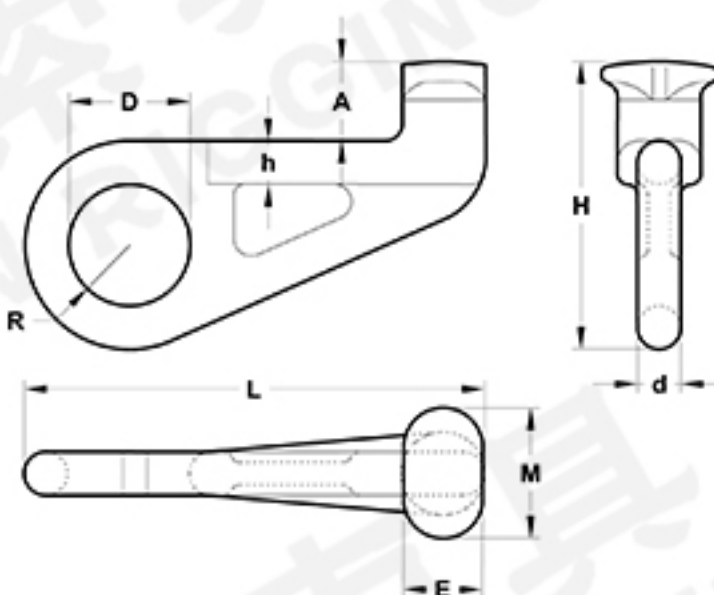
### G80 EYE ELEPHANT FOOT

ITEM NO.	SIZE (MM)	WT (KG)	WLL (T)	DIMENSIONS (MM)				
				A	B	D	G	L
YXR1335-01	13	0.67	5	28	60	16	52.5	116

◆ Ultimate Load is 4 times the Working Load Limit.



YXR1336



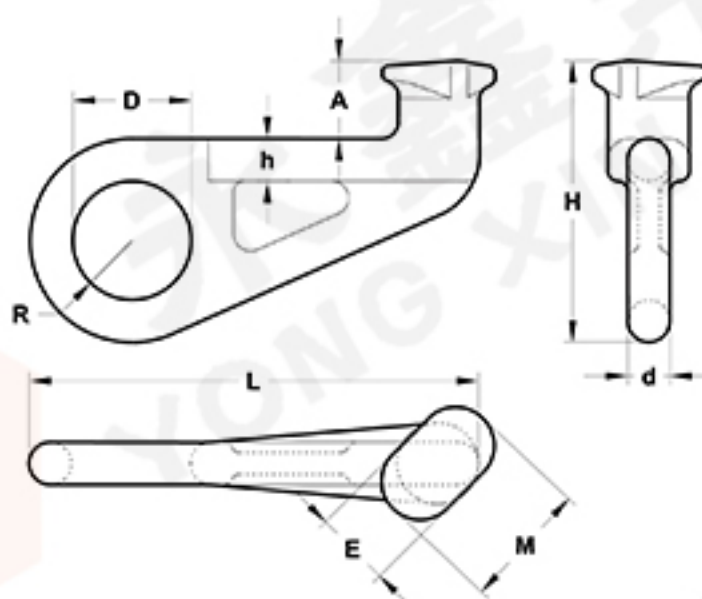
G80 CONTAINER HOOK STRAIGHT TYPE

ITEM NO.	SIZE	WT (KG)	WLL (T)	BLL (T)	DIMENSIONS (MM)								
					A±1	M±2	H±2	H±1	E±1	R±1	D±1	D±1	L±2
YXR1336-01	S	4	12.5	50	46	75	166	25	48	60	70	25	265

◆ Ultimate Load is 4 times the Working Load Limit.



YXR1337



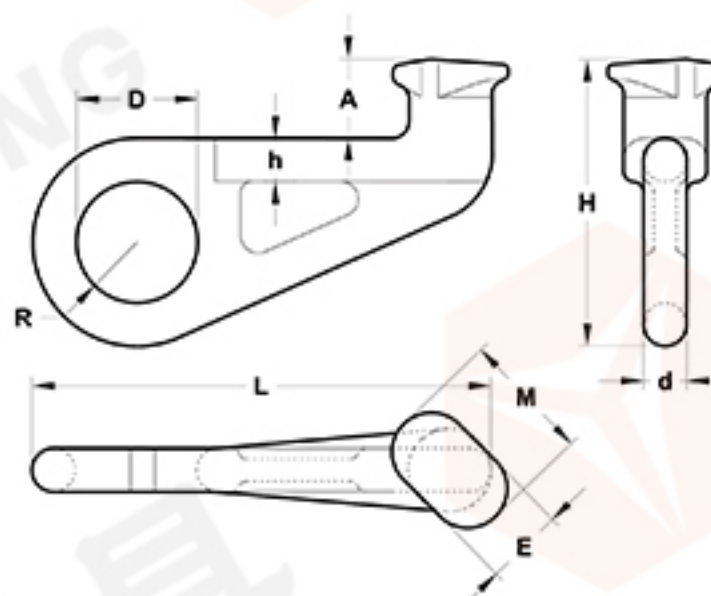
G80 CONTAINER HOOK LEFT TYPE

ITEM NO.	SIZE	WT (KG)	WLL (T)	BLL (T)	DIMENSIONS (MM)								
					A±1	M±2	H±2	H±1	E±1	R±1	D±1	D±1	L±2
YXR1337-01	L	4	12.5	50	46	75	166	25	48	60	70	25	265

◆ Ultimate Load is 4 times the Working Load Limit.



YXR1338

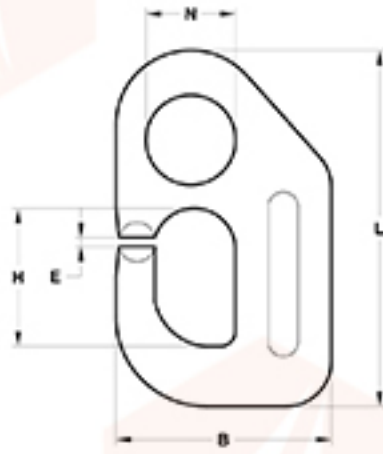


G80 CONTAINER HOOK RIGHT TYPE

ITEM NO.	SIZE	WT (KG)	WLL (T)	BLL (T)	DIMENSIONS (MM)								
					A±1	M±2	H±2	H±1	E±1	R±1	D±1	D±1	L±2
YXR1338-01	R	4	12.5	50	46	75	166	25	48	60	70	25	265

◆ Ultimate Load is 4 times the Working Load Limit.

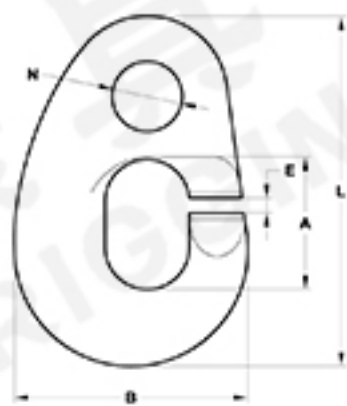
### ALLOY FORGED DV HOOK / VIKING LINK



YXR1339

ITEM NO.	SIZE	WT (KG)	WLL (T)	BLL (T)	DIMENSIONS (MM)				
					N±2	B±1.5	E±0.1	H±1	L±1.2
YXR1339-01	1.5T	0.5	1.5	7.5	28	61	3	35	102
YXR1339-02	3.0T	0.73	3	15	30	72	3	41	119
YXR1339-03	5.0T	1.2	5	25	35	84.5	3	42	137
YXR1339-04	8.0T	1.6	8	40	42	96	3	42	153

◆ Ultimate Load is 5 times the Working Load Limit.



YXR1340

### ALLOY FORGED G HOOK

ITEM NO.	SIZE	WT (KG)	WLL (T)	BLL (T)	DIMENSIONS (MM)				
					L	N	B	A	E
YXR1340-01	1.5T	0.4	1.6	6	91.5	18.3	61	33.9	4
YXR1340-02	2.6T	0.7	2.6	10.4	116.5	21.3	78.5	42	4
YXR1340-03	4T	1.35	4	16	144	25.5	94	56.8	4
YXR1340-04	6T	2.115	6	24	164	30.3	111	64	5

◆ Ultimate Load is 4 times the Working Load Limit.

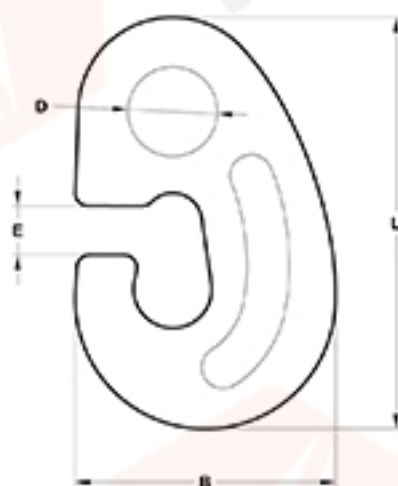


YXR1341

### ALLOY FORGED G HOOK

ITEM NO.	SIZE	WT (KG)	WLL (T)	BLL (T)	DIMENSIONS (MM)				
					A±1	B±1.5	E±1	T±0.5	L±2
YXR1341-01	3T	0.69	3	15	28.5	72.5	41.5	18	119
YXR1341-02	5T	1.13	5	25	35	83.5	44	18	136.5
YXR1341-03	8T	2.1	8	40	42	90.5	42	18	150
YXR1341-04	10T	3.98	10	50	41	116	60	19.3	185
YXR1341-05	15T	6.1	15	75	51	139	73	20	216
YXR1341-06	20T	8.4	20	100	62	156	82	28	242

◆ Ultimate Load is 5 times the Working Load Limit.

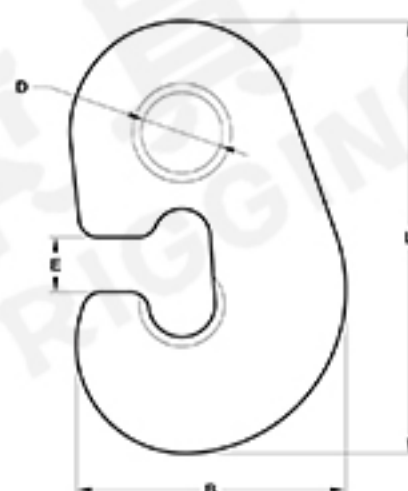


YXR1342

### ALLOY FORGED G HOOK

ITEM NO.	SIZE	WT (KG)	WLL (T)	BLL (T)	DIMENSIONS (MM)			
					E±0.5	D±1	B±1.5	L±2
YXR1342-01	4.2T	0.8	4.2	21	15	27.5	80	126.5
YXR1342-02	6.4T	2.6	6.4	32	19	31	105.5	180

◆ Ultimate Load is 5 times the Working Load Limit.

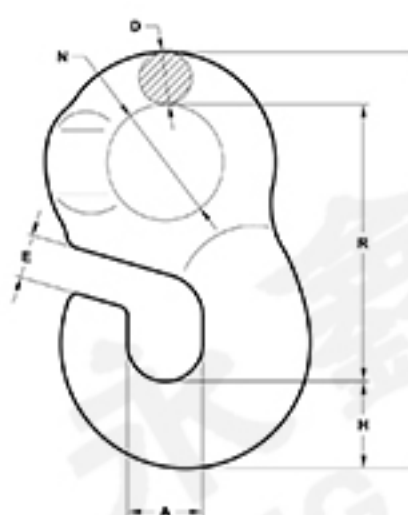


YXR1343

### ALLOY FORGED G HOOK

ITEM NO.	SIZE	WT (KG)	WLL (T)	BLL (T)	DIMENSIONS (MM)			
					D±1	B±2	E±0.5	L±1.5
YXR1343-01	1.0T	0.33	1	5	17	57	11.5	91
YXR1343-02	1.5T	0.6	1.5	7.5	20	66	13	107
YXR1343-03	3.2T	0.9	3.2	16	26	77	15	123
YXR1343-04	5.6T	3.1	5.6	28	38	115	23	180

◆ Ultimate Load is 5 times the Working Load Limit.

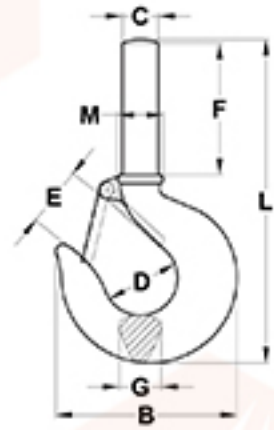


YXR1344

### G80 G HOOK

ITEM NO.	SIZE	WT (KG)	WLL (T)	BLL (T)	DIMENSIONS (MM)						
					A±0.5	N±1	D±1	H±1	R±1.5	E±0.3	L±2
YXR1344-01	10	0.51	3.15	12.6	20	32	14	22	76.5	12	113
YXR1344-02	13	1.3	5.3	21.2	26	40	18	29	95.5	15	143.5
YXR1344-03	16	1.9	8.0	32	32	50	22	35.5	117	18.4	176
YXR1344-04	19	3.65	12.5	50	38	60	26	43	141	22	216.5

◆ Ultimate Load is 4 times the Working Load Limit.

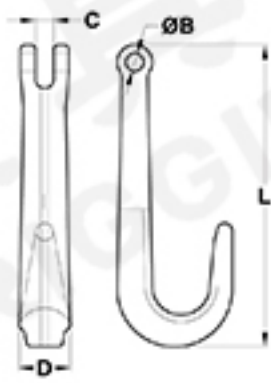


YXR1345

### FORGED SHANK HOOK WITH LATCH

ITEM NO.	WT (KG)	WLL (T)		DIMENSIONS (MM)							
		CARBON (4:1)	ALLOY (5:1)	B±1	E±1	C±0.3	M±0.5	G±1.5	F±1	D±0.5	L±1.2
YXR1345-01	0.23	1	0.75	73	25	15	18	16	51	32	127
YXR1345-02	0.34	1.5	1	80.3	25.5	16.7	20	18	58	35	147
YXR1345-03	0.45	2	1.5	92	30.4	18.4	23	22.5	67	38	165
YXR1345-04	0.84	3	2	105	32	22.4	26	24	69	41.4	177.5
YXR1345-05	1.75	5	3	126	38.5	29.5	32	29	82	51	216.5
YXR1345-06	3.29	7	5	167	47	35.8	40	36	95.5	64	262.5
YXR1345-07	6.1	11	7.5	192	61	46	51	47.7	111.2	76	323
YXR1345-08	8.2	15	10	214.6	66	50.8	55.6	55.5	114	82.5	342
YXR1345-09	16	22	15	262.5	89.5	65	68.8	68.5	141	108	426

- ◆ Carbon Steel: Ultimate Load is 4 times the Working Load Limit.
- ◆ Alloy Steel: Ultimate Load is 5 times the Working Load Limit.

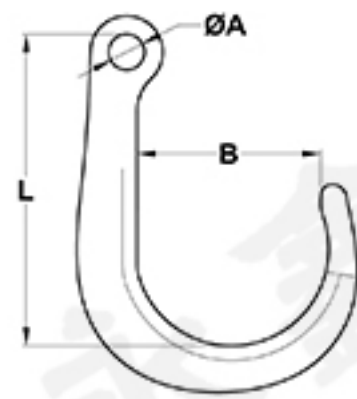


YXR1346

### CLEVIS J HOOK

ITEM NO.	SIZE (IN.)	WT (KG)	WLL (T)	DIMENSIONS (MM)			
				A	B	C	D
YXR1346-01	8	1.24	2.11	210	12.4	12.7	25.5
YXR1346-02	15	1.50	2.11	366.8	12.4	12.7	23.7

- ◆ Ultimate Load is 4 times the Working Load Limit.



YXR1347

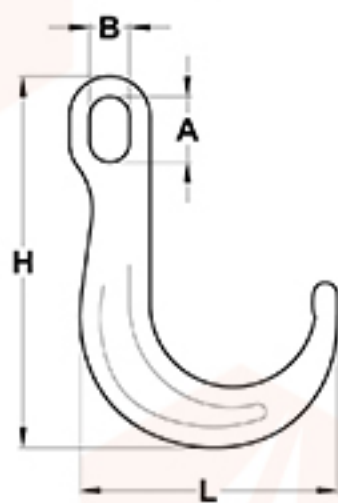
### J TYPE HOOK WITH ROUND HOLE

ITEM NO.	SIZE (IN)	WT (KG)	WLL (T)	DIMENSIONS (MM)		
				A	L	B
YXR1347-01	8	1.31	2.11	19.5	168.0	105.5
YXR1347-02	15	2.22	2.11	19.5	347.2	105.5

- ◆ Ultimate Load is 4 times the Working Load Limit.



### J TYPE HOOK WITH ELLIPSE HOLE

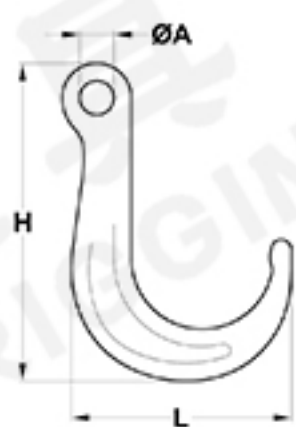


ITEM NO.	SIZE (IN.)	WT (KG)	WLL (T)	DIMENSIONS (MM)			
				A	B	H	L
YXR1348-01	8	1.5	2.45	32.0	19.5	162.0	146.0
YXR1348-02	15	2.0	2.45	32.0	19.5	318.2	157.3

◆ Ultimate Load is 4 times the Working Load Limit.



YXR1348



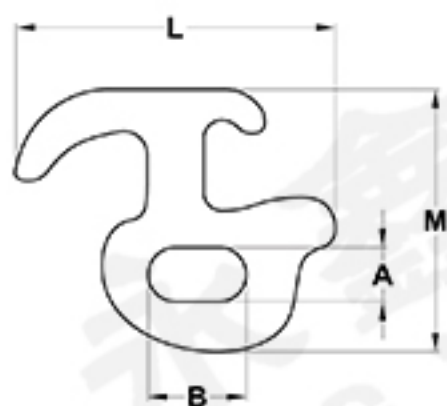
### J TYPE HOOK WITH ROUND HOLE

ITEM NO.	SIZE (IN)	WT (KG)	WLL (T)	DIMENSIONS (MM)		
				A	H	L
YXR1349-01	8	1.5	2.45	19.5	162.0	146.0
YXR1349-02	15	2.0	2.45	19.5	318.2	157.3

◆ Ultimate Load is 4 times the Working Load Limit.



YXR1349



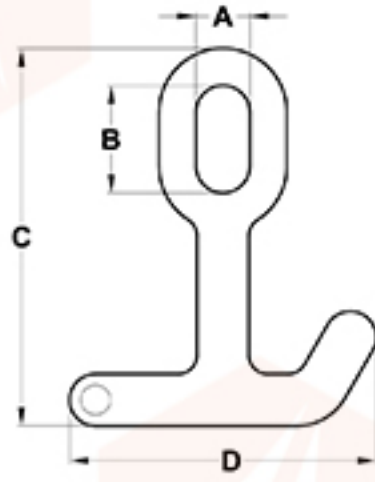
### R TYPE HOOK

ITEM NO.	SIZE (IN)	WT (KG)	BL (T)		DIMENSIONS (MM)			
			CARBON	ALLOY	A	B	L	M
YXR1350-01	5/16	0.30	5.3	8.5	14.4	26.0	85.2	66.5

◆ Ultimate Load is 4 times the Working Load Limit.



YXR1350

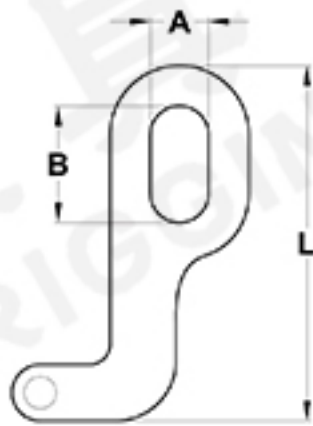


YXR1351

### T-J TYPE HOOK

ITEM NO.	SIZE (IN)	WT (KG)	BL (T)		DIMENSIONS (MM)			
			CARBON	ALLOY	A	B	C	D
YXR1351-01	5/16	0.33	5.1	7.1	14.5	29.0	101.8	82.7

◆ Ultimate Load is 4 times the Working Load Limit.

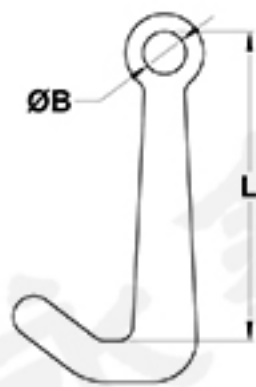


YXR1352

### T TYPE HOOK

ITEM NO.	SIZE (IN)	WT (KG)	BL (T)		DIMENSIONS (MM)		
			CARBON	ALLOY	A	B	L
YXR1352-01	5/16	0.26	7.1	8.5	28.9	14.5	101.1

◆ Ultimate Load is 4 times the Working Load Limit.



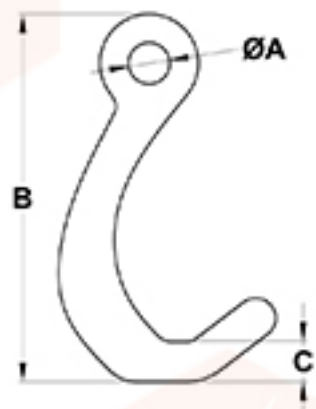
YXR1353

### SMALL J TYPE HOOK

ITEM NO.	SIZE (IN)	WT (KG)	BLL (T)	DIMENSIONS (MM)	
				B	L
YXR1353-01	5/16-3/8	0.32	8.5	14.5	105.2

◆ Ultimate Load is 4 times the Working Load Limit.

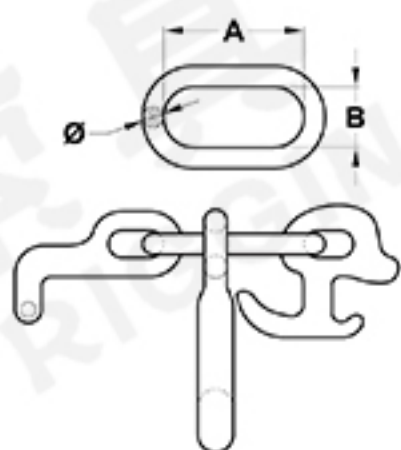
### EYE SLING HOOK



ITEM NO.	SIZE (IN)	WT (KG)	BLL (T)	DIMENSIONS (MM)		
				A	B	C
YXR1354-01	5/16-3/8	0.32	8.5	14.4	107.1	16.1



YXR1354



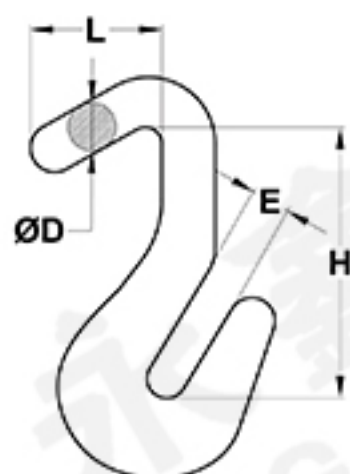
### CLUSTER HOOK RTJ

ITEM NO.	SIZE (IN)	WT (KG)	BLL (T)	DIMENSIONS (MM)		
				A	B	Φ
YXR1355-01	RTJ	1.03	5.3	74.0	32.0	11.0

◆ Ultimate Load is 4 times the Working Load Limit.



YXR1355



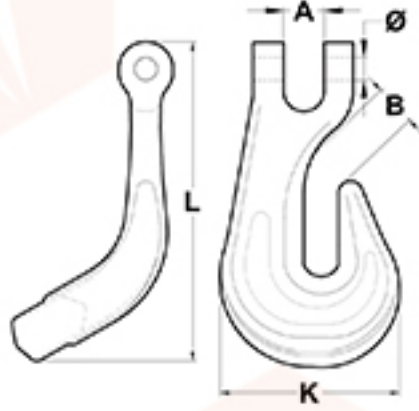
### LONG FALCATE HOOK S TYPE

ITEM NO.	SIZE (IN)	WT (KG)	BLL (T)	DIMENSIONS (MM)			
				D	E	L	H
YXR1356-01	5.5T	0.32	5.72	14.5	11.8	47.2	86.6

◆ Ultimate Load is 4 times the Working Load Limit.



YXR1356



### CLEVIS GRAB BEND HOOK

ITEM NO.	SIZE (IN)	WT (KG)	BLL (T)	DIMENSIONS (MM)				
				A	L	B	K	Φ
YXR1357-01	5/16	0.45	4.54	11.0	120.5	11.8	58.0	12.0

◆ Ultimate Load is 4 times the Working Load Limit.



YXR1357



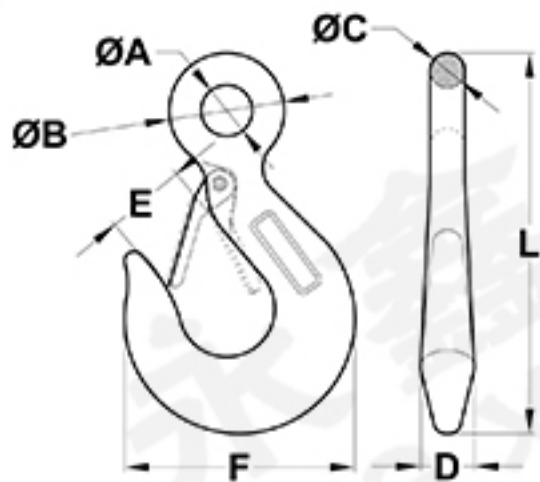
### WELDED HOOK

ITEM NO.	SIZE (IN)	WT (KG)	WLL (LBS)	DIMENSIONS (MM)		
				A	B	C
YXR1358-01	5/16	0.21	4700	11.5	64.0	49.6
YXR1358-02	3/8	0.40	6600	13.0	76.0	60.0
YXR1358-03	1/2	0.79	11300	17.5	99.1	78.1
YXR1358-04	5/8	1.50	15800	20.6	127.0	103.9

◆ Ultimate Load is 4 times the Working Load Limit.



YXR1358



### DIN689 EYE HOOK WITH LATCH

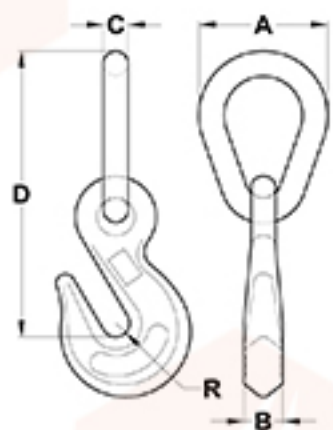
ITEM NO.	SIZE (T)	WT (KG)	WLL (T)	DIMENSIONS (MM)						
				A	B	C	D	E	F	L
YXR1359-01	0.25	0.16	0.25	12	27	7.5	13	17	52.5	88
YXR1359-02	0.5	0.36	0.5	16	37	10	17.5	18	70	117
YXR1359-03	1	0.98	1	20	47	13.5	24	29	98	160
YXR1359-04	1.6	1.4	1.6	22	55	16.5	27	32	111	186
YXR1359-05	2.5	3.1	2.5	25	67	21	37.6	42	145	233

◆ Ultimate Load is 4 times the Working Load Limit.



YXR1359

### SGH HOOK

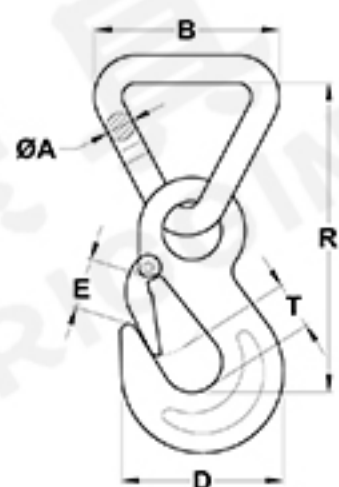


YXR1360

ITEM NO.	SIZE (IN)	WT (KG)	MBS (T)	DIMENSIONS (MM)				
				A	B	C	D	R
YXR1360-01	3/8	0.6	5	62.5	17	11.7	129.8	11.5

◆ Ultimate Load is 4 times the Working Load Limit.

### TRIANGLE EYE SLIP HOOK WITH LATCH

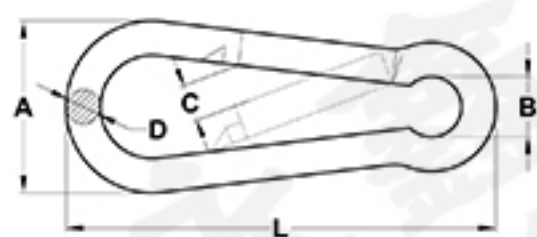


YXR1361

ITEM NO.	SIZE	WT (KG)	BLL (T)	DIMENSIONS (MM)				
				B	D	E	R	T
YXR1361-01	58	0.54	5	58.0	70.0	20.0	133.0	18.0
YXR1361-02	83	0.60	5	83.0	70.0	20.0	155.0	18.0

◆ Ultimate Load is 4 times the Working Load Limit.

### DIN5299 FORM C SNAP HOOK

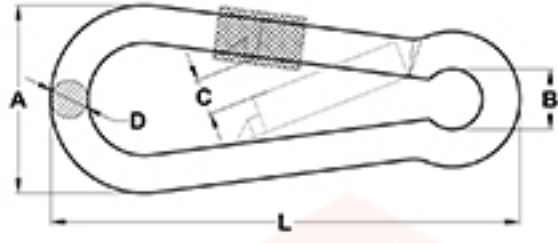


YXR1362

ITEM NO.	SIZE (MM)	WT (G)	WLL (LBS)	DIMENSIONS (MM)				
				A	B	C	D	L
YXR1362-01	4x40	6	200	20	7	7	4	40
YXR1362-02	5x50	16	220	25	8	7	5	50
YXR1362-03	6x60	28	260	30	9	8	6	60
YXR1362-04	7x70	45	400	35	10	8	7	70
YXR1362-05	8x80	63	500	40	12	9	8	80
YXR1362-06	9x90	90	550	45	12	10	9	90
YXR1362-07	10x100	125	770	50	16	11	10	100
YXR1362-08	11x120	192	990	57	18	16	11	120
YXR1362-09	12x140	250	1200	67	20	19	12	140
YXR1362-10	13x160	350	1400	74	22	25	13	160
YXR1362-11	14x180	455	1600	86	22	35	14	180
YXR1362-12	15x200	618	1800	90	26	37	15	200

◆ Ultimate Load is 4 times the Working Load Limit.

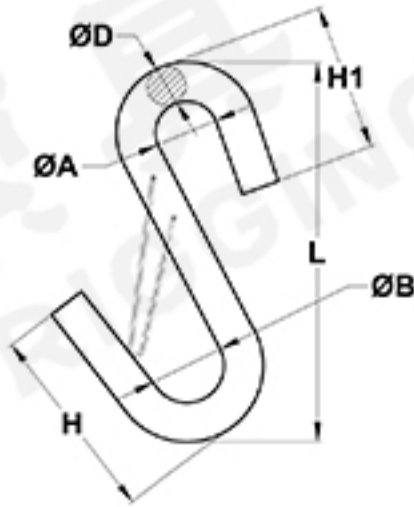
### DIN5299 FORM D SNAP HOOK WITH SCREW



YXR1363

ITEM NO.	SIZE (MM)	WT (G)	WLL (LBS)	DIMENSIONS (MM)				
				A	B	C	D	L
YXR1363-01	5x50	20	220	25	8	7	5	50
YXR1363-02	6x60	30	260	30	9	8	6	60
YXR1363-03	7x70	50	400	35	10	8	7	70
YXR1363-04	8x80	75	500	40	12	9	8	80
YXR1363-05	9x90	98	550	45	12	10	9	90
YXR1363-06	10x100	160	770	50	16	11	10	100
YXR1363-07	11x120	210	990	57	18	16	11	120
YXR1363-08	12x140	270	1200	67	20	19	12	140
YXR1363-09	13x160	360	1400	74	22	25	13	160
YXR1363-10	14x180	510	1600	86	22	35	14	180

◆ Ultimate Load is 4 times the Working Load Limit.

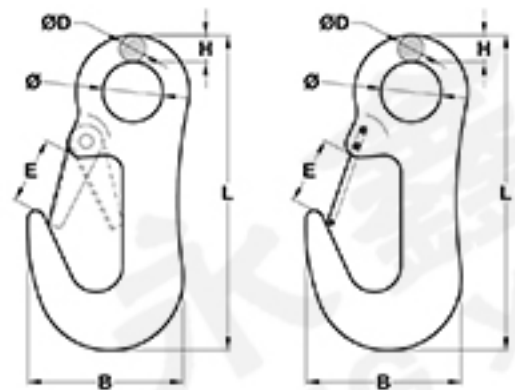


YXR1364

### S-HOOK WITH LATCH

ITEM NO.	SIZE (IN)	WT (G)	WLL (LBS)	DIMENSIONS (MM)					
				A	B	D	H	H1	L
YXR1364-01	3/8	108	750	16	19	10	52	39	97
YXR1364-02	7/16	167	1250	16	22	11	63	41	111

◆ Ultimate Load is 4 times the Working Load Limit.



YXR1365

### TOW HOOK

ITEM NO.	SIZE	WT (KG)	BLL (KN)	DIMENSIONS (MM)					
				Φ±1	B±1.2	D±0.8	H±0.8	E±1	L±2
YXR1365-01	LATCH	0.175	3.5	18	46	9.5	8	19	91.5
YXR1365-02	WIRE	0.165	3.5	18	46	9.5	8	19	91.5

◆ Ultimate Load is 4 times the Working Load Limit.



OTHER HOOKS

