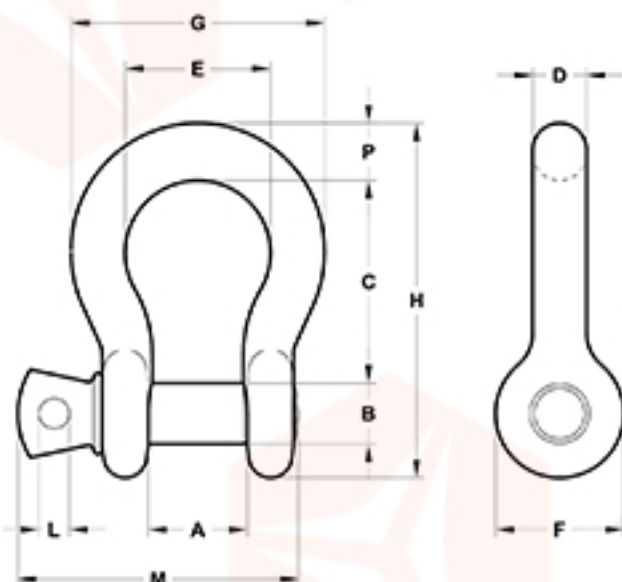


### US TYPE SCREW PIN ANCHOR SHACKLE G209/S209

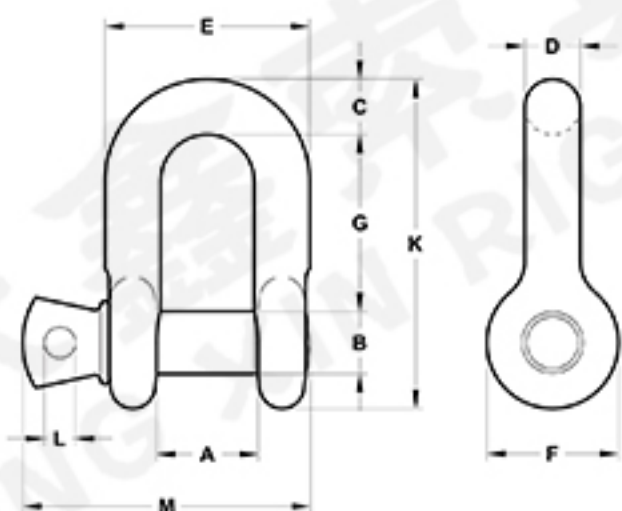


YXR1100

ITEM NO.	SIZE (IN.)	WLL (T)	WT (LBS.)	DIMENSIONS (IN.)												TOL. +/-	
				A	B	C	D	E	F	G	H	L	M	P	C	A	
YXR1100-01	3/16	1/3	0.16	0.38	0.25	0.88	0.19	0.60	0.56	0.98	1.47	0.16	1.14	0.19	0.06	0.06	
YXR1100-02	1/4	1/2	0.10	0.47	0.31	1.13	0.25	0.78	0.61	1.28	1.84	0.19	1.43	0.25	0.06	0.06	
YXR1100-03	5/16	3/4	0.18	0.53	0.38	1.22	0.31	0.84	0.75	1.47	2.09	0.22	1.71	0.31	0.06	0.06	
YXR1100-04	3/8	1	0.31	0.66	0.44	1.44	0.38	1.03	0.91	1.78	2.49	0.25	2.02	0.38	0.13	0.06	
YXR1100-05	7/16	1-1/2	0.38	0.75	0.50	1.69	0.44	1.16	1.06	2.03	2.91	0.31	2.37	0.44	0.13	0.06	
YXR1100-06	1/2	2	0.72	0.81	0.63	1.88	0.50	1.31	1.19	2.31	3.28	0.38	2.69	0.50	0.13	0.06	
YXR1100-07	5/8	3-1/4	1.37	1.06	0.75	2.38	0.63	1.69	1.50	2.94	4.19	0.44	3.34	0.69	0.13	0.06	
YXR1100-08	3/4	4-3/4	2.35	1.25	0.88	2.81	0.75	2.00	1.81	3.50	4.97	0.50	3.97	0.81	0.25	0.06	
YXR1100-09	7/8	6-1/2	3.62	1.44	1.00	3.31	0.88	2.28	2.09	4.03	5.83	0.50	4.50	0.97	0.25	0.06	
YXR1100-10	1	8-1/2	5.03	1.69	1.13	3.75	1.00	2.69	2.38	4.69	6.56	0.56	5.13	1.06	0.25	0.06	
YXR1100-11	1-1/8	9-1/2	7.41	1.81	1.25	4.25	1.16	2.91	2.69	5.16	7.47	0.63	5.71	1.25	0.25	0.06	
YXR1100-12	1-1/4	12	9.50	2.03	1.38	4.69	1.29	3.25	3.00	5.75	8.25	0.69	6.25	1.38	0.25	0.06	
YXR1100-13	1-3/8	13-1/2	13.53	2.25	1.50	5.25	1.42	3.63	3.31	6.38	9.16	0.75	6.83	1.50	0.25	0.13	
YXR1100-14	1-1/2	17	17.20	2.38	1.63	5.75	1.54	3.88	3.63	6.88	10.00	0.81	7.33	1.62	0.25	0.13	
YXR1100-15	1-3/4	25	27.78	2.88	2.00	7.00	1.84	5.00	4.19	8.86	12.34	1.00	9.06	2.25	0.25	0.13	
YXR1100-16	2	35	45.00	3.25	2.25	7.75	2.08	5.75	4.81	9.97	13.68	1.22	10.35	2.40	0.25	0.13	
YXR1100-17	2-1/2	55	85.75	4.13	2.75	10.50	2.71	7.25	5.69	12.87	17.84	1.38	13.00	3.13	0.25	0.25	

- ◆ Maximum Proof Load is 2.0 times the Working Load Limit.
- ◆ Minimum Ultimate Load is 6 times the Working Load Limit.

### US TYPE SCREW PIN CHAIN SHACKLE G210/S210

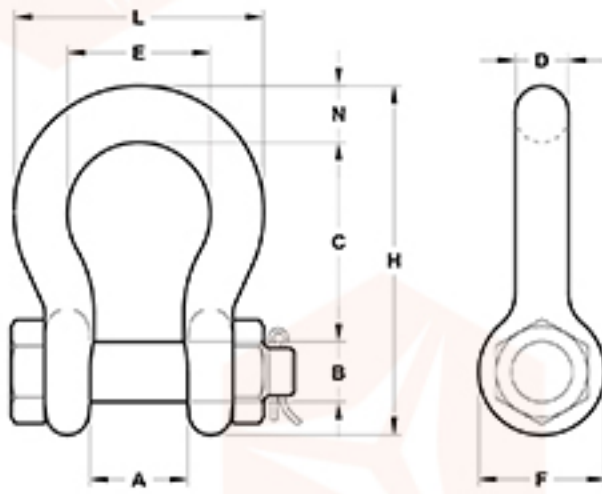


YXR1101

ITEM NO.	SIZE (IN.)	WLL (T)	WT (LBS.)	DIMENSIONS (IN.)											TOL. +/-	
				A	B	C	D	E	F	G	K	L	M	G	A	
YXR1101-01	1/4	1/2	0.11	0.47	0.31	0.25	0.25	0.97	0.62	0.97	1.59	0.19	1.43	0.06	0.06	
YXR1101-02	5/16	3/4	0.17	0.53	0.38	0.31	0.31	1.15	0.75	1.07	1.91	0.22	1.71	0.06	0.06	
YXR1101-03	3/8	1	0.28	0.66	0.44	0.38	0.38	1.42	0.92	1.28	2.31	0.25	2.02	0.13	0.06	
YXR1101-04	7/16	1-1/2	0.43	0.75	0.50	0.44	0.44	1.63	1.06	1.48	2.67	0.31	2.37	0.13	0.06	
YXR1101-05	1/2	2	0.59	0.81	0.63	0.50	0.50	1.81	1.18	1.66	3.03	0.38	2.69	0.13	0.06	
YXR1101-06	5/8	3-1/4	1.25	1.06	0.75	0.63	0.63	2.32	1.50	2.04	3.76	0.44	3.34	0.13	0.06	
YXR1101-07	3/4	4-3/4	2.63	1.25	0.88	0.81	0.75	2.75	1.81	2.40	4.53	0.50	3.97	0.25	0.06	
YXR1101-08	7/8	6-1/2	3.16	1.44	1.00	0.97	0.88	3.20	2.10	2.86	5.33	0.50	4.50	0.25	0.06	
YXR1101-09	1	8-1/2	4.75	1.69	1.13	1.00	1.00	3.69	2.38	3.24	5.94	0.56	5.13	0.25	0.06	
YXR1101-10	1-1/8	9-1/2	6.75	1.81	1.25	1.25	1.13	4.07	2.69	3.61	6.78	0.63	5.71	0.25	0.06	
YXR1101-11	1-1/4	12	9.06	2.03	1.38	1.38	1.25	4.53	3.00	3.97	7.50	0.69	6.25	0.25	0.13	
YXR1101-12	1-3/8	12-1/2	11.63	2.25	1.50	1.50	1.38	5.01	3.31	4.43	8.28	0.75	6.53	0.25	0.13	
YXR1101-13	1-1/2	17	15.95	2.38	1.63	1.62	1.50	5.38	3.62	4.87	9.05	0.81	7.33	0.25	0.13	
YXR1101-14	1-3/4	25	26.75	2.88	2.00	2.12	1.75	6.38	4.19	5.78	10.97	1.00	9.06	0.25	0.13	
YXR1101-15	2	35	42.31	3.25	2.25	2.36	2.10	7.25	5.00	6.77	12.74	1.13	10.35	0.25	0.13	
YXR1101-16	2-1/2	55	71.75	4.12	2.75	2.63	2.63	9.38	5.68	8.07	14.85	1.38	13.00	0.25	0.13	

- ◆ Maximum Proof Load is 2.0 times the Working Load Limit.
- ◆ Minimum Ultimate Load is 6 times the Working Load Limit.

US TYPE BOLT & NUT PIN ANCHOR SHACKLE G2130/S2130

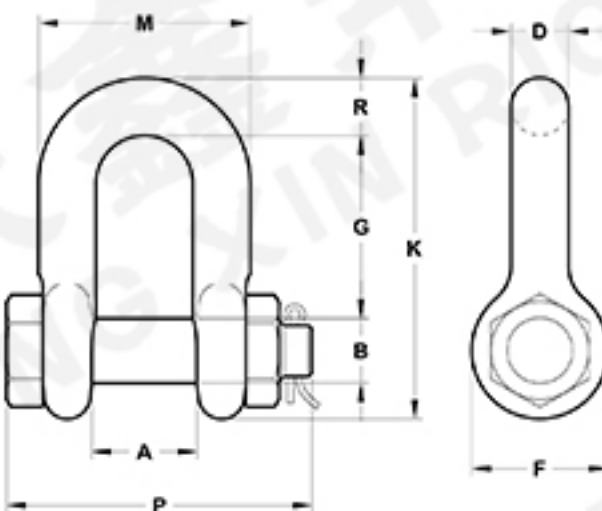


YXR1102

ITEM NO.	SIZE (IN.)	WLL (T)	WT (LBS.)	DIMENSIONS (IN.)										TOL. +/-	
				A	B	C	D	E	F	H	L	N	C	A	
YXR1011-01	3/16	1/3	0.06	0.38	0.25	0.88	0.19	0.60	0.56	1.47	0.98	0.19	0.6	0.06	
YXR1011-02	1/4	1/2	0.11	0.47	0.31	1.13	0.25	0.78	0.61	1.84	1.28	0.25	0.6	0.06	
YXR1011-03	5/16	3/4	0.22	0.53	0.38	1.22	0.31	0.84	0.75	2.09	1.47	0.31	0.6	0.06	
YXR1011-04	3/8	1	0.33	0.66	0.44	1.44	0.38	1.03	0.91	2.49	1.78	0.38	0.13	0.06	
YXR1011-05	7/16	1-1/2	0.49	0.75	0.50	1.69	0.44	1.16	1.06	2.91	2.03	0.44	0.13	0.06	
YXR1011-06	1/2	2	0.79	0.81	0.64	1.88	0.50	1.31	1.19	3.28	2.31	0.50	0.13	0.06	
YXR1011-07	5/8	3-1/4	1.68	1.06	0.77	2.38	0.63	1.69	1.50	4.19	2.94	0.69	0.13	0.06	
YXR1011-08	3/4	4-3/4	2.72	1.25	0.89	2.81	0.75	2.00	1.81	4.97	3.50	0.81	0.25	0.06	
YXR1011-09	7/8	6-1/2	3.95	1.44	1.02	3.31	0.88	2.28	2.09	5.83	4.03	0.97	0.25	0.06	
YXR1011-10	1	8-1/2	5.66	1.69	1.15	3.75	1.00	2.69	2.38	6.56	4.69	1.06	0.25	0.06	
YXR1011-11	1-1/8	9-1/2	8.27	1.81	1.25	4.25	1.13	2.91	2.69	7.47	5.16	1.25	0.25	0.06	
YXR1011-12	1-1/4	12	11.71	2.03	1.40	4.69	1.29	3.25	3.00	8.25	5.75	1.38	0.25	0.06	
YXR1011-13	1-3/8	13-1/2	15.83	2.25	1.53	5.25	1.42	3.63	3.31	9.16	6.38	1.50	0.25	0.13	
YXR1011-14	1-1/2	17	19.00	2.38	1.66	5.75	1.53	3.88	3.63	10.00	6.88	1.62	0.25	0.13	
YXR1011-15	1-3/4	25	33.91	2.88	2.04	7.00	1.84	5.00	4.19	12.34	8.80	2.25	0.25	0.13	
YXR1011-16	2	35	52.25	3.25	2.30	7.75	2.08	5.75	4.81	13.68	10.15	2.40	0.25	0.13	
YXR1011-17	2-1/2	55	98.25	4.13	2.80	10.50	2.71	7.25	5.69	17.90	12.75	3.13	0.25	0.25	
YXR1011-18	3	85	154.00	5.00	3.30	13.00	3.12	7.88	6.50	21.50	14.62	3.62	0.25	0.25	
YXR1011-19	3-1/2	120	265.00	5.25	3.76	14.63	3.62	9.00	8.00	24.88	17.02	4.38	0.25	0.25	
YXR1011-20	4	150	338.00	5.50	4.26	14.50	4.00	10.00	9.00	25.68	18.00	4.56	0.25	0.25	

◆ Maximum Proof Load is 2.0 times the Working Load Limit.  
◆ Minimum Ultimate Load is 6 times the Working Load Limit.

US TYPE BOLT & NUT PIN CHAIN SHACKLE G2150/S2150

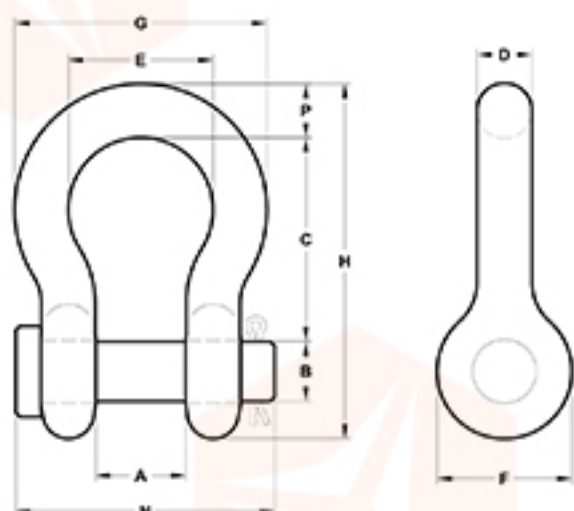


YXR1103

ITEM NO.	SIZE (IN.)	WLL (T)	WT (LBS.)	DIMENSIONS (IN.)										TOL. +/-	
				A	B	D	F	G	K	M	P	R	G	A	
YXR1103-01	1/4	1/2	0.13	0.47	0.31	0.25	0.62	0.91	1.59	0.97	1.56	0.25	0.06	0.06	
YXR1103-02	5/16	3/4	0.23	0.53	0.38	0.31	0.75	1.07	1.91	1.15	1.82	0.31	0.06	0.06	
YXR1103-03	3/8	1	0.33	0.66	0.44	0.38	0.92	1.28	2.31	1.42	2.17	0.38	0.13	0.06	
YXR1103-04	7/16	1-1/2	0.49	0.75	0.50	0.44	1.06	1.48	2.67	1.63	2.51	0.44	0.13	0.06	
YXR1103-05	1/2	2	0.75	0.81	0.64	0.50	1.18	1.66	3.03	1.81	2.80	0.50	0.13	0.06	
YXR1103-06	5/8	3-1/2	1.47	1.06	0.77	0.63	1.50	2.04	3.76	2.32	3.56	0.63	0.13	0.06	
YXR1103-07	3/4	4-3/4	2.52	1.25	0.89	0.75	1.81	2.40	4.53	2.75	4.15	0.81	0.25	0.06	
YXR1103-08	7/8	6-1/2	3.85	1.44	1.02	0.88	2.10	2.86	5.33	3.20	4.82	0.97	0.25	0.06	
YXR1103-09	1	8-1/2	5.55	1.69	1.15	1.00	2.38	3.24	5.94	3.69	5.39	1.00	0.25	0.06	
YXR1103-10	1-1/8	9-1/2	7.60	1.81	1.25	1.13	2.68	3.61	6.78	4.07	5.90	1.25	0.25	0.06	
YXR1103-11	1-1/4	12	10.81	2.03	1.40	1.25	3.00	3.97	7.50	4.53	6.69	1.38	0.25	0.06	
YXR1103-12	1-3/8	13-1/2	13.75	2.25	1.53	1.38	3.31	4.43	8.28	5.01	7.21	1.50	0.25	0.13	
YXR1103-13	1-1/2	17	18.50	2.38	1.66	1.50	3.62	4.87	9.05	5.38	7.73	1.62	0.25	0.13	
YXR1103-14	1-3/4	25	31.40	2.88	2.04	1.75	4.19	5.82	10.97	6.38	9.33	2.12	0.25	0.13	
YXR1103-15	2	35	46.75	3.25	2.30	2.10	5.00	6.82	12.74	7.25	10.41	2.36	0.25	0.13	
YXR1103-16	2-1/2	55	85.00	4.12	2.80	2.63	5.68	8.07	14.85	9.38	13.58	2.63	0.25	0.13	
YXR1103-17	3	85	124.25	5.00	3.25	3.00	6.50	8.56	16.87	11.00	15.13	3.50	0.25	0.13	

◆ Maximum Proof Load is 2.0 times the Working Load Limit.  
◆ Minimum Ultimate Load is 6 times the Working Load Limit.

### US TYPE ROUND PIN ANCHOR SHACKLE G213/S213

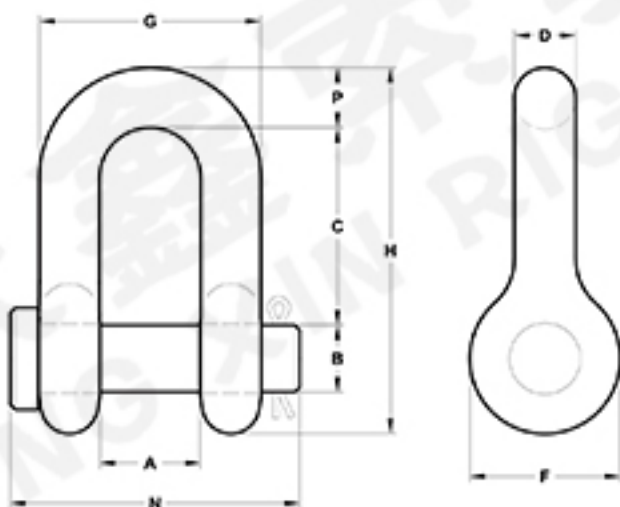


YXR1104

ITEM NO.	SIZE (IN.)	WLL (T)	WT (LBS.)	DIMENSIONS (IN.)													TOL. +/-	
				A	B	C	D	E	F	G	H	L	M	P	C	A		
YXR1104-01	3/16	1/3	0.16	0.38	0.25	0.88	0.19	0.60	0.56	0.98	1.47	0.16	1.14	0.19	0.06	0.06		
YXR1104-02	1/4	1/2	0.13	0.47	0.31	1.13	0.25	0.78	0.61	1.28	1.84	0.19	1.43	0.25	0.06	0.06		
YXR1104-03	5/16	3/4	0.18	0.53	0.38	1.22	0.31	0.84	0.75	1.47	2.09	0.22	1.71	0.31	0.06	0.06		
YXR1104-04	3/8	1	0.29	0.66	0.44	1.44	0.38	1.03	0.91	1.78	2.49	0.25	2.02	0.38	0.13	0.06		
YXR1104-05	7/16	1-1/2	0.38	0.75	0.50	1.69	0.44	1.16	1.06	2.03	2.91	0.31	2.37	0.44	0.13	0.06		
YXR1104-06	1/2	2	0.71	0.81	0.63	1.88	0.50	1.31	1.19	2.31	3.28	0.38	2.69	0.50	0.13	0.06		
YXR1104-07	5/8	3-1/4	1.50	1.06	0.75	2.38	0.63	1.69	1.50	2.94	4.19	0.44	3.34	0.69	0.13	0.06		
YXR1104-08	3/4	4-3/4	2.32	1.25	0.88	2.81	0.75	2.00	1.81	3.50	4.97	0.50	3.97	0.81	0.25	0.06		
YXR1104-09	7/8	6-1/2	3.49	1.44	1.00	3.31	0.88	2.28	2.09	4.03	5.83	0.50	4.50	0.97	0.25	0.06		
YXR1104-10	1	8-1/2	5.00	1.69	1.13	3.75	1.00	2.69	2.38	4.69	6.56	0.56	5.13	1.06	0.25	0.06		
YXR1104-11	1-1/8	9-1/2	6.97	1.81	1.25	4.25	1.16	2.91	2.69	5.16	7.47	0.63	5.71	1.25	0.25	0.06		
YXR1104-12	1-1/4	12	9.75	2.03	1.38	4.69	1.29	3.25	3.00	5.75	8.25	0.69	6.25	1.38	0.25	0.06		
YXR1104-13	1-3/8	13-1/2	13.25	2.25	1.50	5.25	1.42	3.63	3.31	6.38	9.16	0.75	6.83	1.50	0.25	0.13		
YXR1104-14	1-1/2	17	17.25	2.38	1.63	5.75	1.54	3.88	3.63	6.88	10.00	0.81	7.33	1.62	0.25	0.13		
YXR1104-15	1-3/4	25	29.49	2.88	2.00	7.00	1.84	5.00	4.19	8.86	12.34	1.00	9.06	2.25	0.25	0.13		
YXR1104-16	2	35	45.75	3.25	2.25	7.75	2.08	5.75	4.81	9.97	13.68	1.22	10.35	2.40	0.25	0.13		
YXR1104-17	2-1/2	55	85.70	4.13	2.75	10.50	2.71	7.25	5.69	12.87	17.84	1.38	13.00	3.13	0.25	0.25		

- ◆ Maximum Proof Load is 2.0 times the Working Load Limit.
- ◆ Minimum Ultimate Load is 6 times the Working Load Limit.

### US TYPE ROUND PIN CHAIN SHACKLE G215/S215

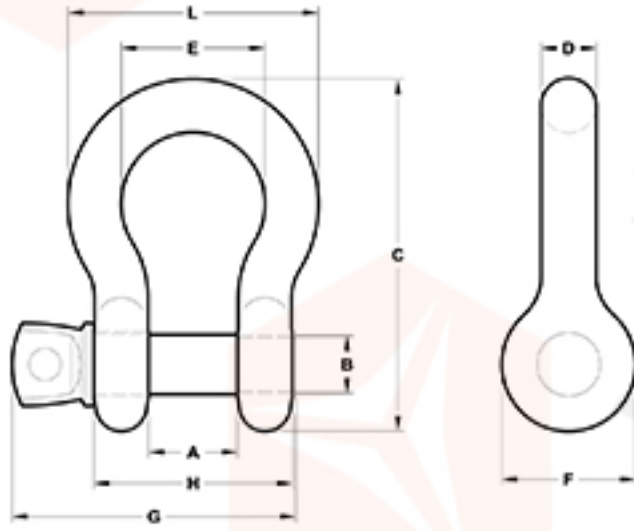


YXR1105

ITEM NO.	SIZE (IN.)	WLL (T)	WT (LBS.)	DIMENSIONS (IN.)											TOL. +/-	
				A	B	C	D	E	F	G	K	L	M	G	A	
YXR1105-01	1/4	1/2	0.10	0.47	0.31	0.25	0.25	0.97	0.62	0.97	1.59	0.19	1.43	0.06	0.06	
YXR1105-02	5/16	3/4	0.18	0.53	0.38	0.31	0.31	1.15	0.75	1.07	1.91	0.22	1.71	0.06	0.06	
YXR1105-03	3/8	1	0.25	0.66	0.44	0.38	0.38	1.42	0.92	1.28	2.31	0.25	2.02	0.13	0.06	
YXR1105-04	7/16	1-1/2	0.40	0.75	0.50	0.44	0.44	1.63	1.06	1.48	2.67	0.31	2.37	0.13	0.06	
YXR1105-05	1/2	2	0.50	0.81	0.63	0.50	0.50	1.81	1.18	1.66	3.03	0.38	2.69	0.13	0.06	
YXR1105-06	5/8	3-1/4	1.21	1.06	0.75	0.63	0.63	2.32	1.50	2.04	3.76	0.44	3.34	0.13	0.06	
YXR1105-07	3/4	4-3/4	2.00	1.25	0.88	0.81	0.75	2.75	1.81	2.40	4.53	0.50	3.97	0.25	0.06	
YXR1105-08	7/8	6-1/2	3.28	1.44	1.00	0.97	0.88	3.20	2.10	2.86	5.33	0.50	4.50	0.25	0.06	
YXR1105-09	1	8-1/2	4.75	1.69	1.13	1.00	1.00	3.69	2.38	3.24	5.94	0.56	5.13	0.25	0.06	
YXR1105-10	1-1/8	9-1/2	6.30	1.81	1.25	1.25	1.13	4.07	2.69	3.61	6.78	0.63	5.71	0.25	0.06	
YXR1105-11	1-1/4	12	9.00	2.03	1.38	1.38	1.25	4.53	3.00	3.97	7.50	0.69	6.25	0.25	0.13	
YXR1105-12	1-3/8	12-1/2	12.00	2.25	1.50	1.50	1.38	5.01	3.31	4.43	8.28	0.75	6.53	0.25	0.13	
YXR1105-13	1-1/2	17	16.15	2.38	1.63	1.62	1.50	5.38	3.62	4.87	9.05	0.81	7.33	0.25	0.13	
YXR1105-14	1-3/4	25	29.96	2.88	2.00	2.12	1.75	6.38	4.19	5.78	10.97	1.00	9.06	0.25	0.13	
YXR1105-15	2	35	43.25	3.25	2.25	2.36	2.10	7.25	5.00	6.77	12.74	1.13	10.35	0.25	0.13	
YXR1105-16	2-1/2	55	71.75	4.12	2.75	2.63	2.63	9.38	5.68	8.07	14.85	1.38	13.00	0.25	0.13	

- ◆ Maximum Proof Load is 2.0 times the Working Load Limit.
- ◆ Minimum Ultimate Load is 6 times the Working Load Limit.

### G80 US TYPE SCREW PIN ANCHOR SHACKLE

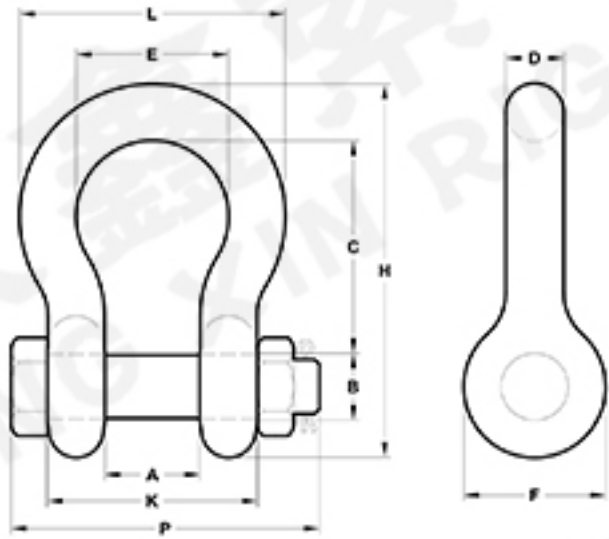


YXR1106

ITEM NO.	SIZE (IN.)	WLL (T)	WT (KG)	DIMENSIONS (MM)										TOL. +/-
				A	B	C	D	E	F	H	L	G		
YXR1106-01	3/8	2	0.14	16.8	11	63	9.6	26.2	23.4	36	45.4	51	5%	
YXR1106-02	7/16	2-2/3	0.2	19	12.7	73.9	11.2	29.5	27	41.4	51.9	60	5%	
YXR1106-03	1/2	3-1/3	0.33	20.6	16	83.5	12.7	33	30	46	58.5	68	5%	
YXR1106-04	5/8	5	0.62	27	19	106	16	42	39	59	74	87	5%	
YXR1106-05	3/4	7	1.0	31.8	22.2	125	19	51	47	69.8	89	101	5%	
YXR1106-06	7/8	9-1/2	1.6	36.6	25.4	147	22	58	54	80.6	102	117	5%	
YXR1106-07	1	12-1/2	2.33	43	28.5	166	25	68	60	93	118	135.5	5%	
YXR1106-08	1-1/8	15	3.05	46	31.7	185	28	74	66	102	130	146	5%	
YXR1106-09	1-1/4	18	4.31	51.5	35.1	208	32	82	76	115.5	146	161	5%	
YXR1106-10	1-3/8	21	5.98	57	38	228	35	89	84	127	159	172	5%	
YXR1106-11	1-1/2	30	7.21	60.5	41.5	254	38	98	92	136.5	174	187	5%	
YXR1106-12	1-3/4	40	12.7	73	50.8	303	45	127	109	163	217	220	5%	
YXR1106-13	2	55	20.4	82.5	57.1	341	51	146	127	184.5	248	241	5%	
YXR1106-14	2-1/2	85	38	105	69.8	455	66.5	179	150	235	321	316	5%	
YXR1106-15	3	120	64	127	85	546	76	200	165	279	371	361	5%	

◆ Minimum Ultimate Load is 5 times the Working Load Limit.

### G80 US TYPE SAFETY BOLT ANCHOR SHACKLE

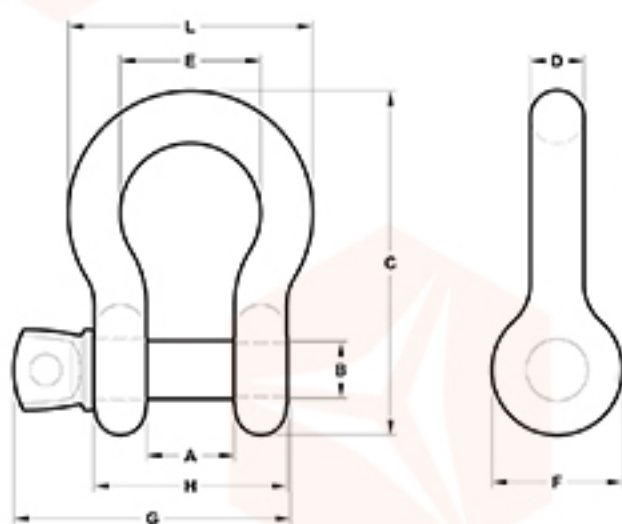


YXR1107

ITEM NO.	SIZE (IN)	WLL (T)	WT (KG)	DIMENSIONS (MM)										TOL. +/-
				A	B	C	D	E	F	H	K	L	P	
YXR1107-01	3/8	2	0.16	16.8	11	36.6	9.6	26.2	23.4	63	36	45.4	59.5	5%
YXR1107-02	7/16	2-2/3	0.22	19	12.7	43	11.2	29.5	27	73.9	41.4	51.9	65	5%
YXR1107-03	1/2	3-1/3	0.34	20.6	16	47	12.7	33	30	83.5	46	58.5	77.5	5%
YXR1107-04	5/8	5	0.68	27	19	60	16	42	39	106	59	74	97	5%
YXR1107-05	3/4	7	1.11	31.8	22.2	71	19	51	47	125	69.8	89	109	5%
YXR1107-06	7/8	9-1/2	1.66	36.6	25.4	84	22	58	54	147	80.6	102	123	5%
YXR1107-07	1	12-1/2	2.35	43	28.5	96	25	68	60	166	93	118	139	5%
YXR1107-08	1-1/8	15	3.22	46	31.7	107	28	74	66	185	102	130	149	5%
YXR1107-09	1-1/4	18	4.98	51.5	35.1	119	32	82	76	208	115.5	146	171	5%
YXR1107-10	1-3/8	21	6.36	57	38	131	35	89	84	228	127	159	186	5%
YXR1107-11	1-1/2	30	8.24	60.5	41.5	148	38	98	92	254	136.5	174	194	5%
YXR1107-12	1-3/4	40	14.29	73	50.8	177	45	127	109	303	163	217	238	5%
YXR1107-13	2	55	20.1	82.5	57.1	197	51	146	127	341	184.5	248	260	5%
YXR1107-14	2-1/2	85	43.6	105	69.8	264	69	184	150	443	234	314	326	5%
YXR1107-15	3	120	67	127	85	328	79	216	165	533	279	368	378	5%
YXR1107-16	3-1/2	150	113	133	95	371	92	229	203	632	323	432	425	5%
YXR1107-17	4	175	141	140	107	368	104	254	228	651	340	457	452	5%

◆ Minimum Ultimate Load is 5 times the Working Load Limit.

### EN13889 SCREW PIN ANCHOR SHACKLE

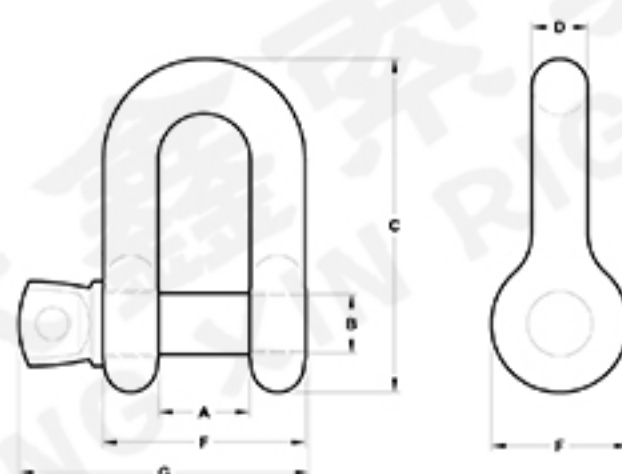


YXR1108

ITEM NO.	SIZE (IN)	WLL (T)	WT (LBS.)	DIMENSIONS (MM)										TOL. +/-
				A	B	C	D	E	F	H	L	G		
YXR1108-01	3/16	0.33	0.03	9.7	6.3	37.3	4.8	15.2	14.2	19.3	24.8	29.2	5%	
YXR1108-02	1/4	0.5	0.05	11.9	8	46.7	6.4	19.8	15.7	24.7	32.6	37	5%	
YXR1108-03	5/16	0.75	0.09	13.5	9.5	53	7.9	21.3	19	29.3	37.3	43.4	5%	
YXR1108-04	3/8	1	0.14	16.8	11	63	9.6	26.2	23.4	36	45.4	51	5%	
YXR1108-05	7/16	1.5	0.2	19	12.7	73.9	11.2	29.5	27	41.4	51.9	60	5%	
YXR1108-06	1/2	2	0.33	20.6	16	83.5	12.7	33	30	46	58.5	68	5%	
YXR1108-07	5/8	3.25	0.62	27	19	106	16	42	39	59	74	87	5%	
YXR1108-08	3/4	4.75	1	31.8	22.2	125	19	51	47	69.8	89	101	5%	
YXR1108-09	7/8	6.5	1.6	36.6	25.1	147	22	58	54	80.6	102	117	5%	
YXR1108-10	1	8.5	2.33	43	28.5	166	25	68	60	93	118	135.5	5%	
YXR1108-11	1-1/8	9.5	3.05	46	31.7	185	28	74	66	102	130	146	5%	
YXR1108-12	1-1/4	12	4.31	51.5	35.1	208	32	82	76	115.5	146	161	5%	
YXR1108-13	1-3/8	13.5	5.98	57	38	228	35	89	84	127	159	172	5%	
YXR1108-14	1-1/2	17	7.21	60.5	41.5	254	38	98	92	136.5	174	187	5%	
YXR1108-15	1-3/4	25	12.7	73	50.8	303	45	127	109	163	217	220	5%	
YXR1108-16	2	35	20.4	82.5	57.1	341	51	146	127	184.5	248	241	5%	
YXR1108-17	2-1/4	42.5	29	95	63	382	57	160	143	209	274	295	5%	
YXR1108-18	2-1/2	55	38	105	69.8	456	66.5	179	150	235	321	316	5%	
YXR1108-19	3	85	64	127	85	546	76	200	165	379	371	361	5%	

◆ Minimum Ultimate Load is 6 times the Working Load Limit.

### EN13889 SCREW PIN CHAIN SHACKLE

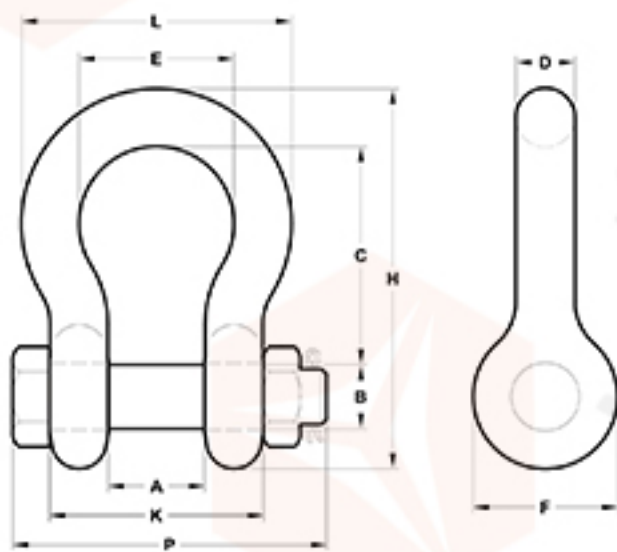


YXR1109

ITEM NO.	SIZE (IN)	WLL (T)	WT (LBS.)	DIMENSIONS (MM)										TOL. +/-
				A	B	C	D	E	F	G				
YXR1109-01	3/16	0.33	0.03	9.5	6.3	37	5	14.5	19.5	29.2	5%			
YXR1109-02	1/4	0.5	0.05	11.9	8	40.4	6.4	15.7	24.7	37	5%			
YXR1109-03	5/16	0.75	0.08	13.5	9.5	48.5	7.9	19	29.3	43.4	5%			
YXR1109-04	3/8	1	0.13	16.8	11	58.7	9.6	23.4	36	51	5%			
YXR1109-05	7/16	1.5	0.2	19	12.7	67.8	11.2	27	41.4	60	5%			
YXR1109-06	1/2	2	0.27	20.6	16	77	12.7	30	46	68	5%			
YXR1109-07	5/8	3.25	0.57	27	19	96	16	39	59	87	5%			
YXR1109-08	3/4	4.75	1.2	31.8	22.2	114	19	47	69.8	101	5%			
YXR1109-09	7/8	6.5	1.43	36.6	25.4	134	22	54	80.6	117	5%			
YXR1109-10	1	8.5	2.15	43	28.5	152	25	60	93	135.5	5%			
YXR1109-11	1-1/8	9.5	3.06	46	31.7	168	28	66	102	146	5%			
YXR1109-12	1-1/4	12	4.11	51.5	35.1	189	32	76	115.5	161	5%			
YXR1109-13	1-3/8	13.5	5.28	57	38	208	35	84	127	172	5%			
YXR1109-14	1-1/2	17	7.23	60.5	41.5	230	38	92	136.5	187	5%			
YXR1109-15	1-3/4	25	12.1	73	50.8	272	45	109	163	220	5%			
YXR1109-16	2	35	19.2	82.5	57.1	314	51	127	184.5	241	5%			
YXR1109-17	2-1/4	42.5	26.6	95	63	342	57	143	209	295	5%			
YXR1109-18	2-1/2	55	32.5	105	69.8	378	65	150	235	326	5%			
YXR1109-19	3	85	54	127	85	417.5	76	165	279	381	5%			

◆ Minimum Ultimate Load is 6 times the Working Load Limit.

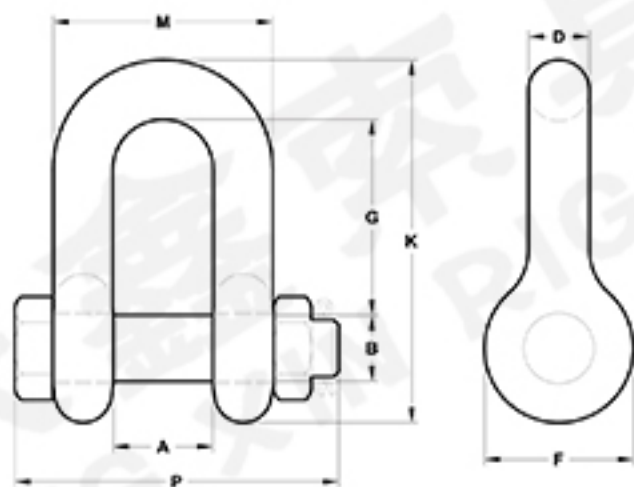
### EN13889 SAFETY BOLT ANCHOR SHACKLE



**YXR1109**

ITEM NO.	SIZE (IN)	WLL (T)	WT (KG)	DIMENSIONS (MM)											TOL. +/-
				A	B	C	D	E	F	H	K	L	P		
YXR1109-01	1/4	0.5	0.048	11.9	8	28.7	6.4	19.8	15.7	46.7	24.7	32.6	42	5%	
YXR1109-02	5/16	0.75	0.1	13.5	9.5	31	7.9	21.3	19	53	29.3	37.3	49	5%	
YXR1109-03	3/8	1	0.16	16.8	11.1	36.6	9.6	26.2	23.4	63	36	45.4	59.5	5%	
YXR1109-04	7/16	1.5	0.22	19	12.7	43	11.2	29.5	27	73.9	41.4	51.9	65	5%	
YXR1109-05	1/2	2	0.34	20.6	16	47	12.7	33	30	83.5	46	58.5	77.5	5%	
YXR1109-06	5/8	3.25	0.68	27	19	60	16	42	39	106	59	74	97	5%	
YXR1109-07	3/4	4.75	1.11	31.8	22.1	71	19	51	47	125	69.8	89	109	5%	
YXR1109-08	7/8	6.5	1.66	36.6	25.1	84	22	58	54	147	80.6	102	123	5%	
YXR1109-09	1	8.5	2.35	43	28.1	96	25	68	60	166	93	118	139	5%	
YXR1109-10	1-1/8	9.5	3.22	46	31.7	107	28	74	66	185	102	130	149	5%	
YXR1109-11	1-1/4	12	4.98	51.5	35.1	119	32	82	76	208	115.5	146	171	5%	
YXR1109-12	1-3/8	13.5	6.36	57	38	131	35	89	84	228	127	159	186	5%	
YXR1109-13	1-1/2	17	8.24	60.5	41.5	148	38	98	92	254	136.5	174	194	5%	
YXR1109-14	1-3/4	25	14.29	73	50.8	177	45	127	109	303	163	217	228	5%	
YXR1109-15	2	35	20.1	82.5	57.1	197	51	146	127	341	184.5	248	260	5%	
YXR1109-16	2-1/4	42.5	31.4	95	63	221	57	160	143	383	209	274	302	5%	
YXR1109-17	2-1/2	55	43.6	105	69.8	264	66.5	184	150	455	235	321	328	5%	
YXR1109-18	3	85	67	127	85	328	76	200	165	546	279	371	378	5%	
YXR1109-19	3-1/2	120	113	133	95	371	92	229	203	632	323	432	425	5%	
YXR1109-20	4	150	141	140	107	368	104	254	228	651.5	340	457	452	5%	

◆ Minimum Ultimate Load is 6 times the Working Load Limit.



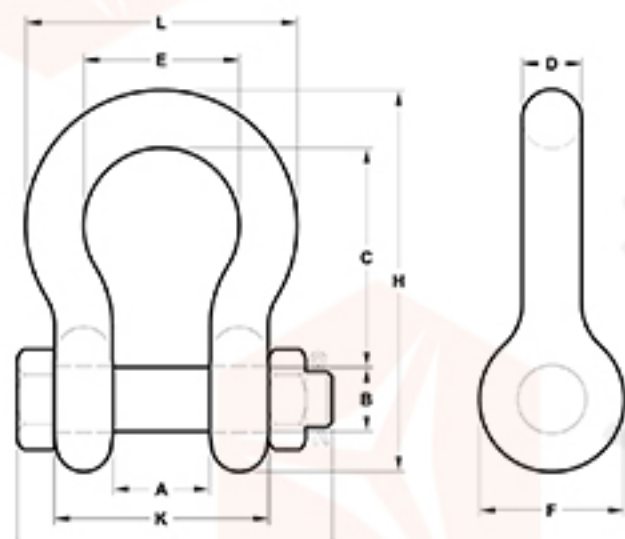
**YXR1110**

### EN13889 SAFETY BOLT CHAIN SHACKLE

ITEM NO.	SIZE (IN)	WLL (T)	WT (LBS.)	DIMENSIONS (MM)								TOL. +/-
				A	B	D	F	M	G	K	P	
YXR1110-01	3/8	1	0.15	16.8	11.1	9.6	23.4	36	32.5	58.7	59.5	5%
YXR1110-02	7/16	1.5	0.19	19	12.7	11.2	27	41.4	37.6	67.8	65	5%
YXR1110-03	1/2	2	0.33	20.6	16	12.7	30	46	40.7	77	77.5	5%
YXR1110-04	5/8	3.25	0.67	27	19	16	39	59	50	96	97	5%
YXR1110-05	3/4	4.75	1.05	31.8	22.1	19	47	69.8	59.5	114	109	5%
YXR1110-06	7/8	6.5	1.55	36.6	25.1	22	54	80.6	71.5	134	123	5%
YXR1110-07	1	8.5	2.2	43	28.1	25	60	93	82	152	139	5%
YXR1110-08	1-1/8	9.5	2.9	46	31.7	28	66	102	90	168	149	5%
YXR1110-09	1-1/4	12	4.43	51.5	35.1	32	76	115.5	100	189	171	5%
YXR1110-10	1-3/8	13.5	6.24	57	38	35	84	127	111	208	186	5%
YXR1110-11	1-1/2	17	7.74	60.5	41.5	38	92	136.5	124	230	194	5%
YXR1110-12	1-3/4	25	12.6	73	50.8	45	109	163	145.5	272	238	5%
YXR1110-13	2	35	18.45	82.5	57.1	51	127	184.5	169.5	314	260	5%
YXR1110-14	2-1/4	42.5	28.9	95	63	57	143	209	181	342	302	5%
YXR1110-15	2-1/2	55	38.6	105	69.8	65	150	235	201	378	328	5%
YXR1110-16	3	85	56	127	73	71	157	160	243	383	409	5%

◆ Minimum Ultimate Load is 6 times the Working Load Limit.

### EN13889 SUPER POLAR SAFETY BOLT ANCHOR SHACKLE



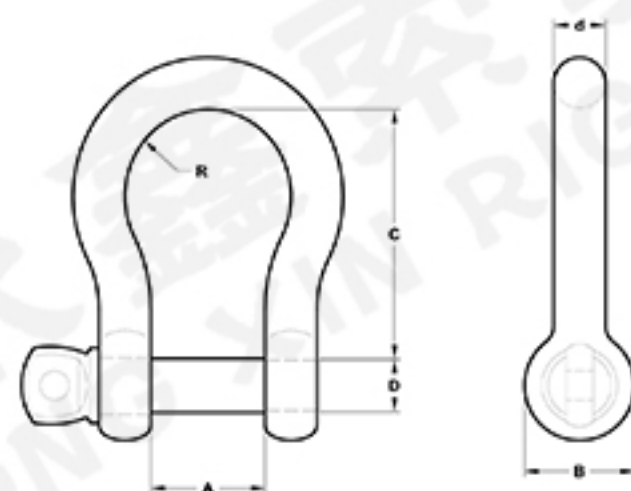
ITEM NO.	SIZE (IN)	WLL (T)	WT (KG)	DIMENSIONS (MM)											TOL. +/-
				A	B	C	D	E	F	H	K	L	P		
YXR1111-01	1/2	2	0.34	20.6	16	47	12.7	33.1	30	83.5	46	58.5	77.5	5%	
YXR1111-02	5/8	3.25	0.68	27	19	60	16	42	39	106	59	74	97	5%	
YXR1111-03	3/4	4.75	1.11	31.8	22.1	71	19	51	47	125	69.8	89	109	5%	
YXR1111-04	7/8	6.5	1.66	36.6	25.1	84	22	58	54	147	80.6	102	123	5%	
YXR1111-05	1	8.5	2.35	43	28.1	96	25	68	60	166	93	118	139	5%	
YXR1111-06	1-1/8	9.5	3.22	46	31.7	107	28	74	66	185	102	130	149	5%	
YXR1111-07	1-1/4	12	4.98	51.5	35.1	119	32	82	76	208	115.5	146	171	5%	
YXR1111-08	1-3/8	13.5	6.36	57	38	131	35	89	84	228	127	159	186	5%	
YXR1111-09	1-1/2	17	8.24	60.5	41.5	148	38	98	92	254	136.5	174	194	5%	
YXR1111-10	1-3/4	25	14.29	73	50.8	177	45	127	109	303	163	217	238	5%	
YXR1111-11	2	35	20.1	82.5	57.1	197	51	146	127	341	184.5	248	260	5%	
YXR1111-12	2-1/4	42.5	31.4	95	63	221	57	160	143	383	209	274	302	5%	
YXR1111-1	2-1/2	55	43.6	105	69.8	264	66.5	184	150	455	235	321	328	5%	
YXR1111-14	3	85	67	127	85	328	76	200	165	546	279	371	378	5%	



YXR1111

◆ Safety Factor: Minimum Ultimate Load is 8 times the Working Load Limit (55tons and 85 tons,the safety factor is 7 times of working load limit)

### EUROPEAN BOW TYPE COMMERCIAL SHACKLE



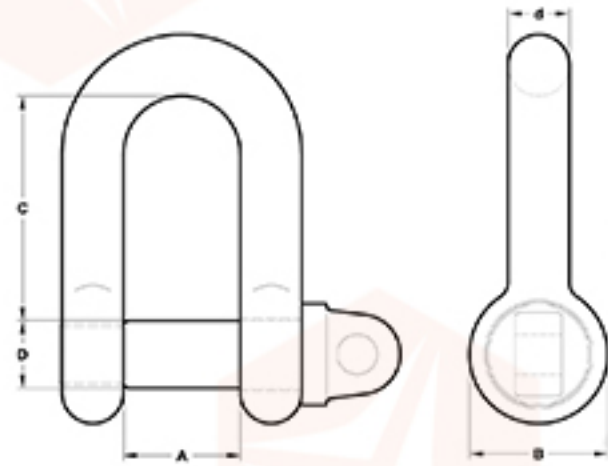
ITEM NO.	SIZE (D)	WLL (T)	DIMENSIONS (MM)					WT (KG)
			A	B	C	D	R	
YXR1112-01	5	80	10	11	19	5	8	0.019
YXR1112-02	6	100	13	14	25	6	10	0.034
YXR1112-03	8	200	16	18	32	8	12	0.07
YXR1112-04	10	320	19	20	38	10	16	0.13
YXR1112-05	12	520	25	26	51	12	19	0.26
YXR1112-06	16	800	32	33	64	16	28	0.5
YXR1112-07	20	1100	38	40	76	20	33	0.8
YXR1112-08	22	1500	44	50	89	22	37	1.3
YXR1112-09	25	2100	51	57	100	25	40	2
YXR1112-10	28	3000	57	68	115	28	47	3.1
YXR1112-11	32	3500	64	73	127	32	52	4.3
YXR1112-12	38	5000	76	85	152	38	63	7
YXR1112-13	45	7000	90	96	180	45	75	12.5
YXR1112-14	50	8000	102	108	200	50	78	17.5



YXR1112

◆ Minimum Ultimate Load is 4 times the Working Load Limit.

EUROPEAN DEE TYPE COMMERCIAL SHACKLE

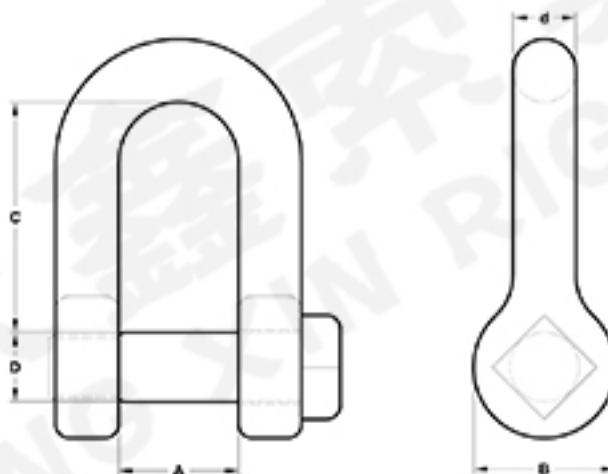


YXR1113

ITEM NO.	SIZE (D)	WLL (T)	DIMENSIONS (MM)				WEIGHT (KG/PC)
			A	B	C	D	
YXR1113-01	5	80	11	10	19	5	0.019
YXR1113-02	6	100	14	13	25	6	0.034
YXR1113-03	8	200	18	16	32	8	0.07
YXR1113-04	10	320	20	19	38	10	0.13
YXR1113-05	12	520	26	25	51	12	0.24
YXR1113-06	16	800	33	32	64	16	0.5
YXR1113-07	20	1100	40	38	76	20	0.8
YXR1113-08	22	1500	50	44	89	22	1.3
YXR1113-09	25	2100	57	51	100	25	2
YXR1113-10	28	3000	68	57	115	28	3
YXR1113-11	32	3500	73	64	127	32	4.3
YXR1113-12	38	5000	85	76	152	38	6.75
YXR1113-13	45	7000	96	90	180	45	12.5
YXR1113-14	50	8000	108	102	200	50	17.5

◆ Minimum Ultimate Load is 4 times the Working Load Limit.

EUROPEAN TYPE TRAWLING SHACKLE WITH SQUARE HEAD SCREW PIN



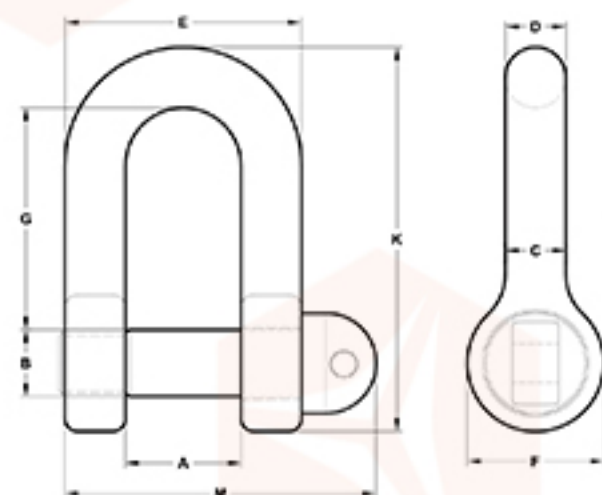
YXR1114

ITEM NO.	SIZE (D)	WLL (T)	DIMENSIONS (MM)				WEIGHT (KG/PC)
			A	B	C	D	
YXR1114-01	8	0.2	16	18	32	8	0.07
YXR1114-02	10	0.3	20	20	38	10	0.134
YXR1114-03	12	0.5	25	26	51	12	0.25
YXR1114-04	16	0.8	32	33	63	16	0.53
YXR1114-05	20	1.1	38	40	76	20	0.92
YXR1114-06	22	1.5	45	50	88	22	1.4
YXR1114-07	25	2	51	57	102	25	2.15
YXR1114-08	28	2.6	57	68	114	28	3
YXR1114-09	32	3.8	63	73	127	32	4.55
YXR1114-10	38	4.5	76	85	152	38	7.6

◆ Minimum Ultimate Load is 4 times the Working Load Limit.



### DIN82101 SHACKLE, TYPE A

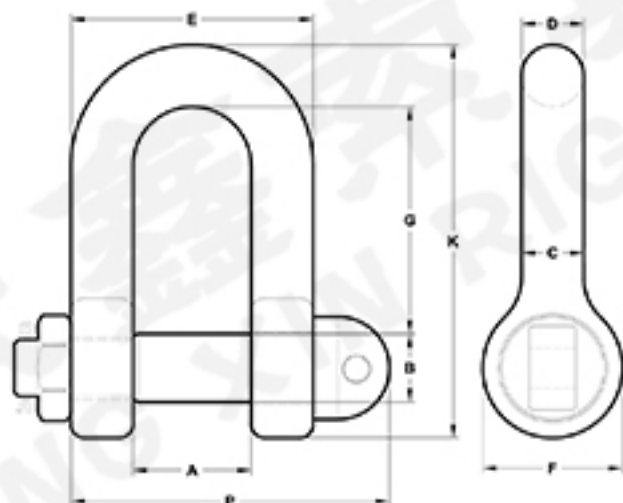


**YXR1115**

ITEM NO.	SIZE	WLL (T)	WT (KG)	DIMENSIONS (MM)										TOL. +/-
				A	B	C	D	E	F	G	K	M		
YXR1115-01	M5	0.1	0.013	7	5	4	5	15	10	15	28	23	5%	
2	M6	0.16	0.021	8	6	5	6	18	12	18	33	26.5	5%	
YXR1115-03	M8	0.25	0.048	11	8	7	8	25	16	23.5	44	33.5	5%	
YXR1115-04	M10	0.4	0.083	14	10	8	10	30	20	29.5	55	41	5%	
YXR1115-05	M12	0.6	0.156	17	12	10	12	37	24	35.5	66	50	5%	
YXR1115-06	M16	1	0.33	21	16	13	15	47	32	48.5	88	62	5%	
YXR1115-07	M20	1.6	0.71	27	20	17	19	61	40	60.5	110	82	5%	
YXR1115-08	M22	2	0.94	30	22	19	21	68	44	66.5	121	90	5%	
YXR1115-09	M24	2.5	1.35	33	24	21	23	75	48	72.5	132	99	5%	
YXR1115-10	M27	3	1.89	38	27	24	26	86	54	83	150	115	5%	
YXR1115-11	M30	4	2.53	42	30	27	29	96	60	90.5	165	125	5%	
YXR1115-12	M36	5	4	47	36	30	33	107	72	110.5	198	139	5%	
YXR1115-13	M39	6	5.1	53	39	34	37	121	78	119	215	154.5	5%	
YXR1115-14	M45	8	7.92	60	45	38	41	136	90	138.5	248	175.5	5%	
YXR1115-15	M48	10	9.87	66	48	42	45	150	96	146	264	195	5%	
YXR1115-16	M52	12	13.68	73	52	47	50	167	104	157	286	211	5%	
YXR1115-17	M60	16	20.23	81	60	52	55	185	120	183.5	330	232	5%	
YXR1115-18	M68	20	28.51	90	68	58	61	206	136	209.5	374	259	5%	
YXR1115-19	M72	25	33.93	100	72	63	67	226	144	219.5	396	284	5%	

◆ Minimum Ultimate Load is 5 times the Working Load Limit.

### DIN82101 SHACKLE, TYPE C

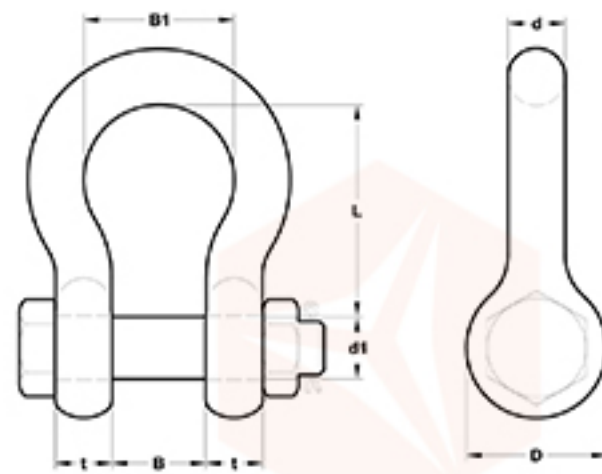


**YXR1116**

ITEM NO.	SIZE	WLL (T)	WT (KG)	DIMENSIONS (MM)										TOL. +/-
				A	B	C	D	E	F	G	K	P		
YXR1116-01	M10	0.4	0.097	14	10	8	10	30	20	29.5	55	58	5%	
YXR1116-02	M12	0.6	0.181	17	12	10	12	37	24	35.5	66	68	5%	
YXR1116-03	M16	1	0.369	21	16	13	15	47	32	48.5	88	81	5%	
YXR1116-04	M20	1.6	0.788	27	20	17	19	61	40	60.5	110	104	5%	
YXR1116-05	M22	2	1.01	30	22	19	21	68	44	66.5	121	115	5%	
YXR1116-06	M24	2.5	1.458	33	24	21	23	75	48	72.5	132	127	5%	
YXR1116-07	M27	3	2.047	38	27	24	26	86	54	83	150	145	5%	
YXR1116-08	M30	4	2.72	42	30	27	29	96	60	90.5	165	156	5%	
YXR1116-09	M36	5	4.2	47	36	30	33	107	72	110.5	198	172	5%	
YXR1116-10	M39	6	5.66	53	39	34	37	121	78	119	215	189	5%	
YXR1116-11	M45	8	8.45	60	45	38	41	136	90	138.5	248	211	5%	
YXR1116-12	M48	10	10.8	66	48	42	45	150	96	146	264	240	5%	
YXR1116-13	M52	12	14.23	73	52	47	50	167	104	157	286	254	5%	
YXR1116-14	M60	16	21.93	81	60	52	55	185	120	183.5	330	285	5%	
YXR1116-15	M68	20	31.18	90	68	58	61	206	136	209.5	374	316	5%	
YXR1116-16	M72	25	36.73	100	72	63	67	226	144	219.5	396	341	5%	
YXR1116-17	M80	32	50	110	80	70	74	250	160	244.5	440	369	5%	
YXR1116-18	M90	40	71	125	90	79	84	283	180	274	495	409	5%	
YXR1116-19	M100	50	97.08	140	100	88	93	316	200	307	550	462	5%	

◆ Minimum Ultimate Load is 5 times the Working Load Limit.

### JIS SHACKLE, TYPE BB

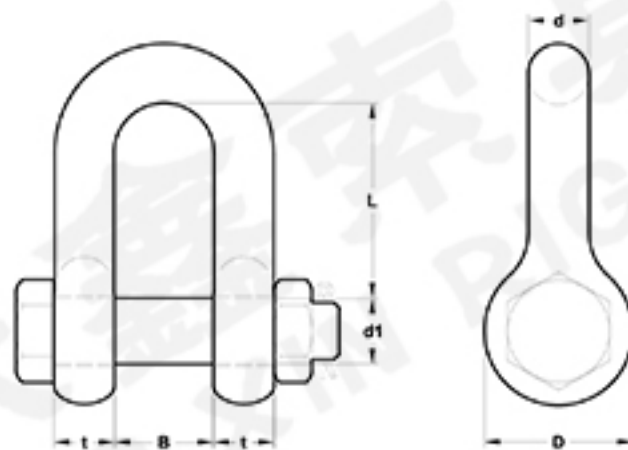


YXR1117

ITEM NO.	SIZE	WLL (T)	DIMENSIONS (MM)							TOL. +/-
			T	D	B	B1	D	D1	L	
YXR1117-01	BB24	3.6	24	28	39	70	62	30	110.5	5%
YXR1117-02	BB26	4.2	26	30	41	75	66	32	118.5	5%
YXR1117-03	BB28	4.8	28	32	43	80	70	34	126.5	5%
YXR1117-04	BB30	5.4	30	34	45	85	75	36	134.5	5%
YXR1117-05	BB32	6.2	32	37	48	93	80	38	147.5	5%
YXR1117-06	BB34	7	34	39	50	98	85	40	155.5	5%
YXR1117-07	BB36	8	36	42	54	105	90	42	168.5	5%
YXR1117-08	BB38	9	38	44	57	110	95	46	174.5	5%
YXR1117-09	BB40	10	40	47	60	118	100	48	187.5	5%
YXR1117-10	BB42	11	42	49	63	123	105	51	190.5	5%
YXR1117-11	BB44	12	44	51	66	128	110	54	202	5%
YXR1117-12	BB46	13	46	53	68	133	115	56	211	5%
YXR1117-13	BB48	14	48	55	72	138	120	58	218	5%
YXR1117-14	BB50	15	50	57	75	143	125	60	226	5%
YXR1117-15	BB55	18	55	62	83	155	138	65	246.5	5%
YXR1117-1	BB60	22	60	69	90	178	150	70	274	5%
YXR1117-17	BB65	26	65	75	98	188	164	77	298.5	5%
YXR1117-18	BB70	30	70	81	105	202	178	83	317.5	5%
YXR1117-19	BB75	35	75	87	112	218	192	90	341	5%
YXR1117-20	BB80	40	80	93	120	232	206	96	365	5%

◆ Minimum Ultimate Load is 4 times the Working Load Limit.

### JIS SHACKLE, TYPE SB



YXR1118

ITEM NO.	SIZE	WLL (T)	DIMENSIONS (MM)							TOL. +/-
			T	D	B	D	D1	L		
YXR1118-01	SB20	2.5	20	20	31	50	24	67.5	5%	
YXR1118-02	SB22	3	22	22	34	55	26	103	5%	
YXR1118-03	SB24	3.6	24	24	39	62	30	110.3	5%	
YXR1118-04	SB26	4.2	26	26	41	66	32	118.5	5%	
YXR1118-05	SB28	4.8	28	28	43	70	34	126.5	5%	
YXR1118-06	SB30	5.4	30	30	45	75	36	134.5	5%	
YXR1118-07	SB32	6.2	32	32	48	80	38	147.5	5%	
YXR1118-08	SB34	7	34	34	50	85	39.5	155.5	5%	
YXR1118-09	SB36	8	36	36	54	90	41.5	168.5	5%	
YXR1118-10	SB38	9	38	38	57	95	46	174.5	5%	
YXR1118-11	SB40	10	40	40	60	100	48	187.5	5%	
YXR1118-12	SB42	11	42	42	63	105	51	190.5	5%	
YXR1118-13	SB44	12	44	44	66	110	54	202	5%	
YXR1118-14	SB46	13	46	46	68	115	56	211	5%	
YXR1118-15	SB48	14	48	48	72	120	58	218	5%	
YXR1118-16	SB50	15	50	50	75	125	60	226	5%	
YXR1118-17	SB55	18	55	55	83	138	65	246.5	5%	
YXR1118-18	SB60	22	60	60	90	150	70	274	5%	
YXR1118-19	SB65	26	65	65	98	164	77	298.5	5%	
YXR1118-20	SB70	30	70	70	105	178	83	317.5	5%	
YXR1118-21	SB75	35	75	75	112	192	90	341	5%	
YXR1118-22	SB80	40	80	80	120	206	96	365	5%	
YXR1118-23	SB85	45	85	85	128	220	102	388	5%	
YXR1118-24	SB90	50	90	90	135	232	108	418	5%	

◆ Minimum Ultimate Load is 4 times the Working Load Limit.

OTHER SHACKLE

